

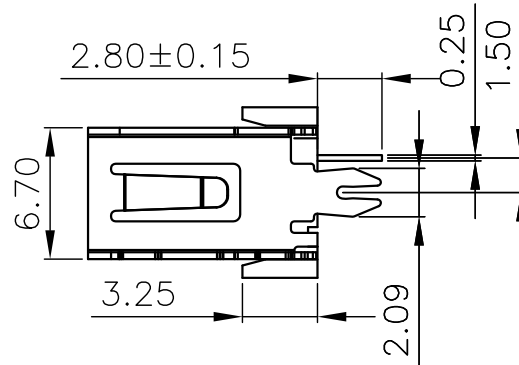
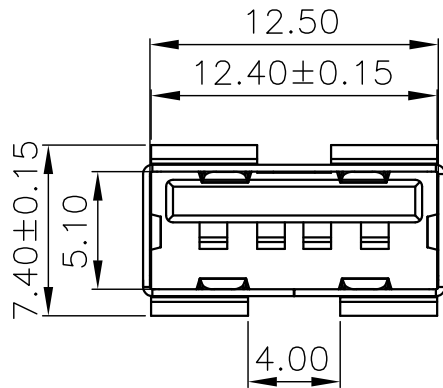
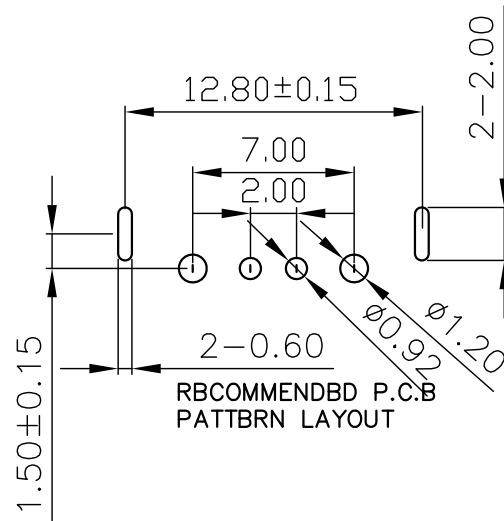
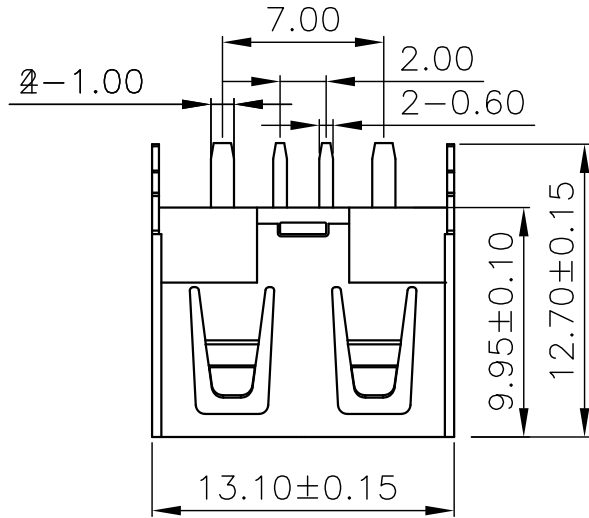
# Parts Drawing

REVISIONS

SYM	ECN No.	MODIFICATION	DATE	ISSUED

Note:

1. Material:
  - 1.1, Housing: High temperature thermoplastic with/black G/F, UL94v-0
  - 1.2, Contact: copper alloy, t=0.25mm
  - 1.3, Shell: copper/Ferroalloy alloy, t=0.30mm
2. Specification:
  - 2.1, Current rating: 3A/5A Max.
  - 2.2, Dielectric withstanding voltage: 100 V(ac) for 1 min.
  - 2.3, Contact resistance: 30 mΩ Max.
  - 2.4, Insulation resistance: 100 MΩ Min.
  - 2.5, Total mating force: 3.57 Kg Max.
  - 2.6, Total unmating force: 1.0 Kg Min.
3. Finish:
  - 3.1, Contact: Plated Gold in Mating Area: Tin On Solder Tails
  - Shell: Nickel Plating
4. Environmental:
  - 4.1, Temperature range: -55°C~85°C



PART ON:

919-56XAXXX1Y2XX

- 电镀规格: 02, 镀金1u" 04, 镀金3u" 07, 镀金15u" 08, 镀金30u"
- 端子材质: 1, 青铜 2, 磷铜
- 端子规格: D, 90度 Y, 180度 S, SMT贴板
- 塑胶形态: 1, 6.2有耳 6, 6.2无耳
- 塑胶颜色: 01, 白色 02, 黑色 03, 本色
- 塑胶材质: 1, PBT 2, LCP 3, PA9T 4, PPA 5, PA6T
- 对插方向: A, 正向 B, 反向
- 外壳材质: 1, 铁壳 2, 铜壳
- 插口类型: 5, 有边 6, 无边
- 外壳脚型: 1, 前两脚 2, 后两脚 3, 四脚 4, 无脚 5, 鱼叉脚
- 类别: E款

1	919-561A1011Y102	5	
2		6	
3		7	
4		8	

DRAWN		深圳市精拓金电子有限公司			
CHECKED					
APPROVED		AF大电流10.0短体180度鱼叉脚无边铜壳PBT黑色		916-362A1024Y10210	
		TOLERANCE	DRAWING NO.		
UNIT	mm	.XXX±.10, .XX±.25, .X±.38, ANG±5°	SCALE	SHEET	SIZE
			1:1	1 OF 1	A4
					REV. X1