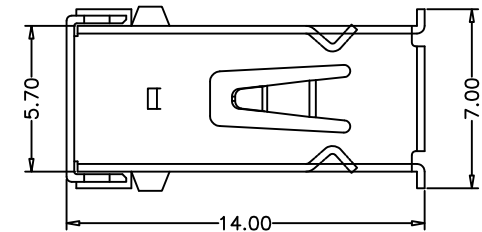
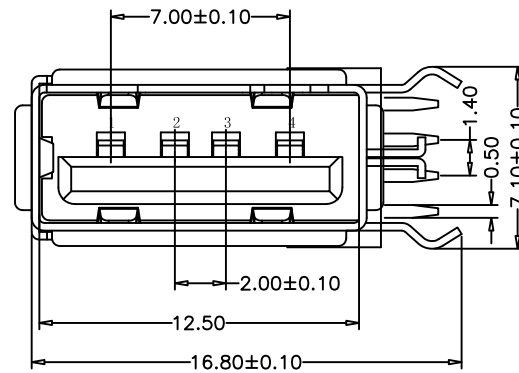
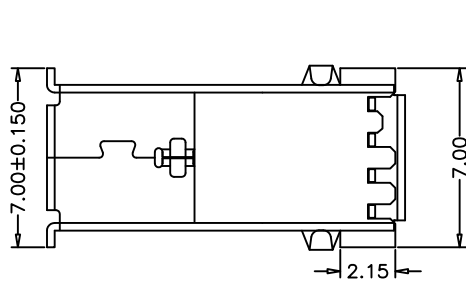


REV	MODIFICATION	DATE
A0	胶芯变更	2013.12.20



NOTE:

1. Material:

Housing: Thermoplastics, UL94V-0 (ROHS, HF)
 Contact: Phosphor Bronze C5191-EH/C2680-EH, T=0.25mm
 Shell: COPPER ALLOY T=0.30mm

2. FINISH:

Contact: 15u" Gold Plated on Contact Area,
 80u" Min. Tin Plated on Solder Area
 50u" Min. Nickel Underplating Over All.
 Shell: 50u" Min. Nickel Underplating Over All.

3. Specification:

3.1: Rating:

Rated voltage 500V AC/DC. Rated current: 2 A Max.

3.2: Electrical:

Insulation Resistance (EIA-364-21):
 1000MΩ Min. at 500V/DC for 1Minute.

Contact Resistance (EIA-364-23):
 30 mΩ Max. at 20mV Max, 50mA

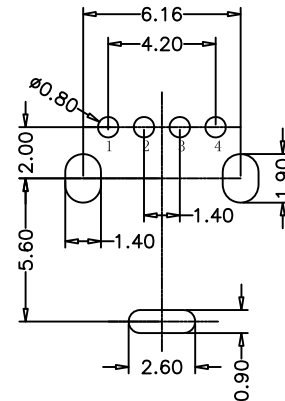
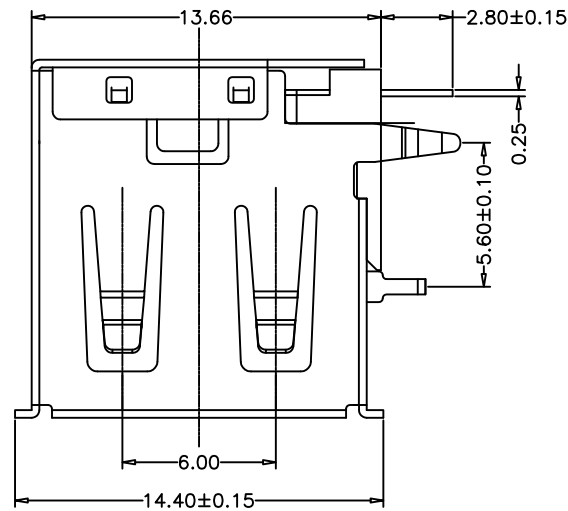
Dielectric Withstanding Voltage (EIA-364-20):

No discharge, flashover or breakdown at 500V/AC 1Minute

4. Plug extraction force shall be between 1.0kgf and 2.00kgf

5. Contact finish:

- 01: Selective Gold Flash
- 02: Selective Gold 3U"
- 03: Selective Gold 5U"
- 04: Selective Gold 15U"
- 05: Selective Gold 30U"



RECOMMENDED PCB LAYOUT
 GENERAL TOLERANCES: ±0.05

产品图 PRODUCT CHART DWG				深圳市精拓金电子有限公司					
公差一览表 TOLERANCE UNLESS OTHERWISE				单位 UNITS	MM	制图 DRAWING	Z-Y-B	制图料号 PRODUCT PART NO.	906-251A1011D10200
X	±0.25	X	±5.°	比例 SCALE	1:1	审核 CHKD		产品名称 PRODUCT NAME	AF14.0侧插短体三弯脚有边铁壳PBT白胶
.X	±0.20	.X	±2.°	日期 DATE	2013.12.20	核准 APPD		角法 VIEW	
.XX	±0.15	.XX	±1.°					版本 REV	A0
.XXX	±0.10	.XXX	±0.5°						