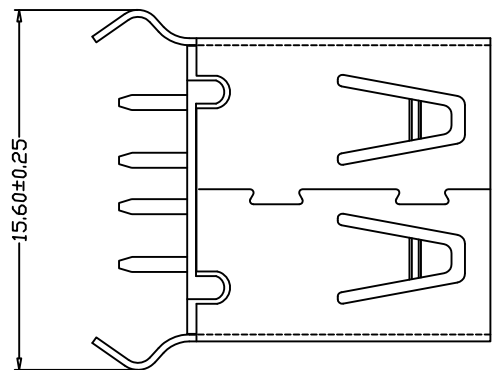
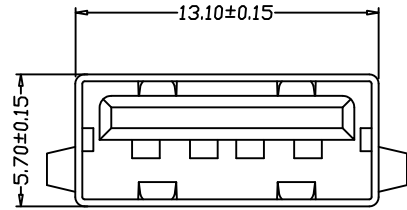
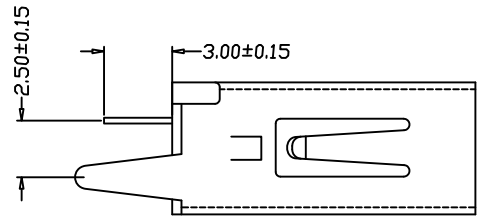
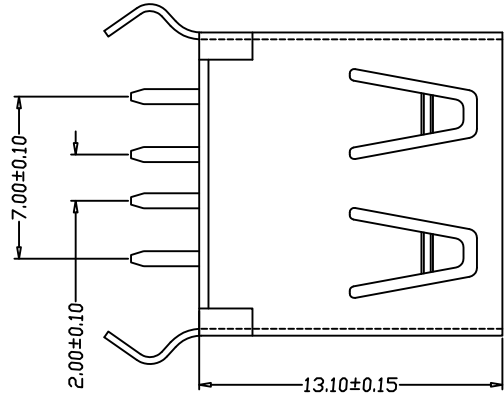


MAPX	MODIFICATION	DATE



NOTES:

- 1. HOUSING: SEE NOTES, UL94V-0 .
- TERMINAL: SEE NOTES.
- SHELL: SEE NOTES.

SPECIFICATION:

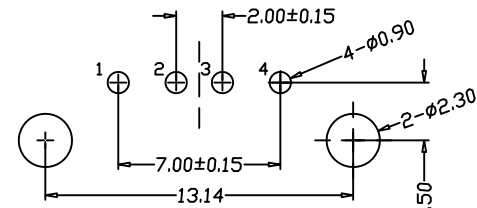
- 1. ELECTRICAL CHARACTERISTIC:
  - CONTACT RESISTANCE: 30MΩ MAX
  - DIELECTRIC WITHSTANDING VOLTAGE: 500V AC FOR 1MIN
  - INSULATION RESISTANCE: 1000MΩ MIN
- 2. MECHANICAL CHARACTERISTIC:
  - INSERTION FORCE: 35N(3.57KGF) MAX
  - EXTRACTION FORCE: 10~35N(1.02~3.57KGF)MIN
  - DURABILITY: 1500 CYCLES EXTRACTION FORCE:10~35N
  - 5000 CYCLES MIN
  - 5000 CYCLES EXTRACTION FORCE:3~35N

3. ENVIRONMENTAL:

OPERATING TEMPERATURE: -55°C+85°C

4. Contact finish:

- 01:Selective Gold Flash
- 02:Selective Gold 3U"
- 03:Selective Gold 5U"
- 04:Selective Gold 15U"
- 05:Selective Gold 30U"



PCB LAYOUT

<b>产品图</b> PRODUCT CHART DWG				<b>深圳市精拓金电子有限公司</b>						
公差一览表 TOLERANCE UNLESS OTHERWISE				单位	MM	制图	Z-Y-B	制图料号	916-162A1012Y10200	
X.	±0.25	X.	±5°	UNITS		DRAWING		PRODUCT PART NO		
.X	±0.20	.X	±2°	比例	1:1	审核		产品名称	AF13.1弯脚180度无边铜壳PBT白胶	
.XX	±0.15	.XX	±1°	SCALE		CHKD		PRODUCT NO		
.XXX	±0.10	.XXX	±0.5°	日期	2014.07.24	核准		角法	VIEW	
				DATE		APPD		版本	VER	AD