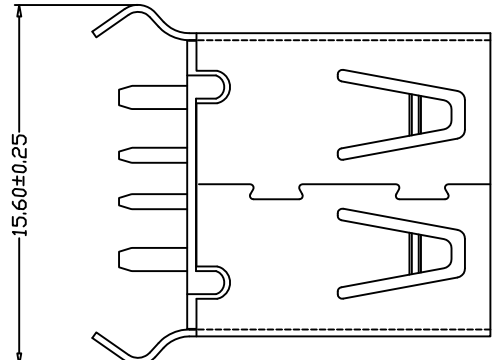
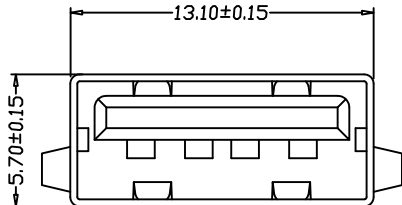
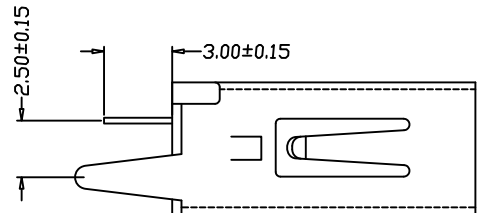
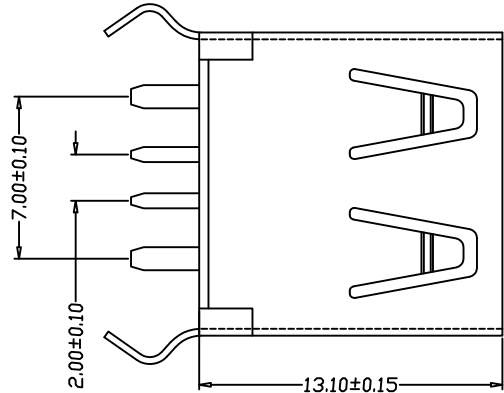


| | | |
|------|--------------|------|
| MAPX | MODIFICATION | DATE |
| | | |



NOTES:

- 1. HOUSING: SEE NOTES, UL94V-0 .
- TERMINAL: SEE NOTES.
- SHELL: SEE NOTES.

SPECIFICATION:

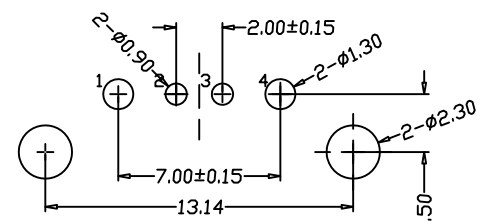
- 1. ELECTRICAL CHARACTERISTIC:
 - Current rating:5.0A Max
 - CONTACT RESISTANCE: 30MΩ MAX
 - DIELECTRIC WITHSTANDING VOLTAGE: 500V AC FOR 1MIN
 - INSULATION RESISTANCE: 1000MΩ MIN
- 2. MECHANICAL CHARACTERISTIC:
 - INSERTION FORCE: 35N(3.57KGF) MAX
 - EXTRACTION FORCE: 10~35N(1.02~3.57KGF)MIN
 - DURABILITY: 1500 CYCLES EXTRACTION FORCE:10~35N
 - 5000 CYCLES MIN
 - 5000 CYCLES EXTRACTION FORCE:3~35N

3. ENVIRONMENTAL:

OPERATING TEMPERATURE: -55℃+85℃

4. Contact finish:

- 01:Selective Gold Flash
- 02:Selective Gold 3U"
- 03:Selective Gold 5U"
- 04:Selective Gold 15U"
- 05:Selective Gold 30U"



PCB LAYOUT

| | | | | | | | | | | |
|-------------------------------------|-------|------|-------|---------------------|------------|---------|-------|-----------------|-----------------------------|----|
| 产品图 PRODUCT CHART DWG | | | | 深圳市精拓金电子有限公司 | | | | | | |
| 公差一览表 TOLERANCE UNLESS OTHERWISE | | | | 单位 | MM | 制图 | Z-Y-B | 制图料号 | 916-162A1022Y10210 | |
| X. | ±0.25 | X. | ±5° | UNITS | | DRAWING | | PRODUCT PART NO | | |
| .X | ±0.20 | .X | ±2° | 比例 | 1:1 | 审核 | | 产品名称 | AF大电流13.1弯脚180度无边铜壳PBT黑胶/5A | |
| .XX | ±0.15 | .XX | ±1° | SCALE | | CHKD | | PRODUCT NO | | |
| .XXX | ±0.10 | .XXX | ±0.5° | 日期 | 2014.07.24 | 核准 | | 角法 | VIEW | 版本 |
| | | | | DATE | | APPD | | VER | | AD |