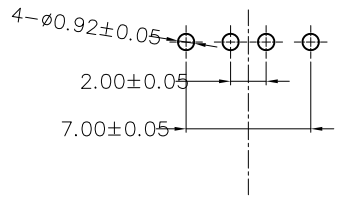
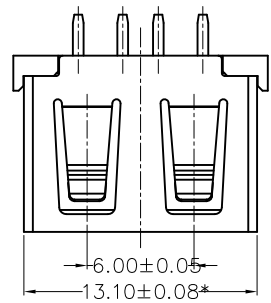
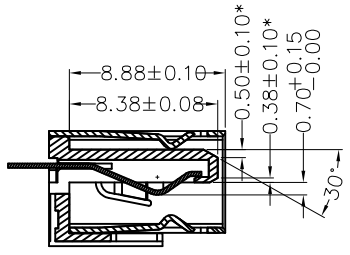


MAPX	MODIFICATION	DATE
------	--------------	------

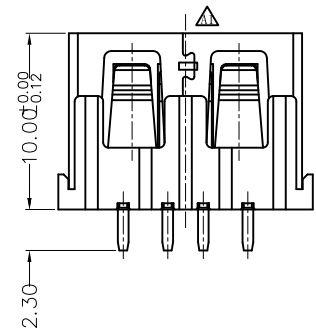
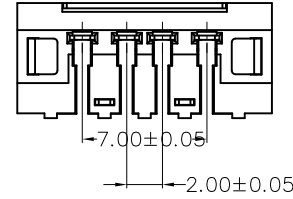
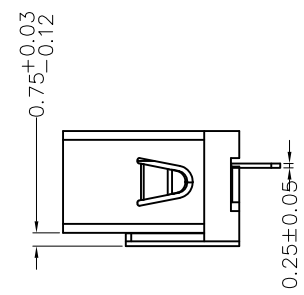
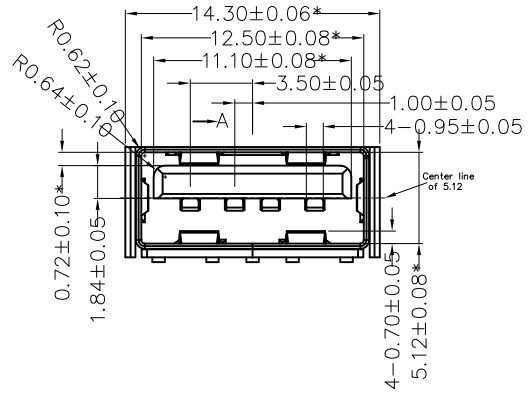
NOTES:  
 1. HOUSING: SEE NOTES,  
 TERMINAL: SEE NOTES.  
 SHELL: SEE NOTES.  
 SPECIFICATION:  
 1. ELECTRICAL CHARACTERISTIC:  
 CONTACT RESISTANCE: 30MΩ MAX  
 DIELECTRIC WITHSTANDING VOLTAGE: 500V AC FOR 1MIN  
 INSULATION RESISTANCE: 1000MΩ MIN  
 2. MECHANICAL CHARACTERISTIC:  
 INSERTION FORCE: 35N(3.57KGF) MAX  
 EXTRACTION FORCE: 10~35N(1.02~3.57KGF)MIN  
 DURABILITY: 1500 CYCLES EXTRACTION FORCE:10~35N  
 5000 CYCLES MIN  
 5000 CYCLES EXTRACTION FORCE:3~35N  
 3. ENVIRONMENTAL:  
 OPERATING TEMPERATURE: -55°C+85°C  
 4. Contact finish:  
 01:Selective Gold Flash  
 02:Selective Gold 3U"  
 03:Selective Gold 5U"  
 04:Selective Gold 15U"  
 05:Selective Gold 30U"



FRONT EDGE OF CONNECTOR  
PCB LAYOUT



SECTION A-A



<p>产品图 PRODUCT CHART DWG</p> <p>公差一览表 TOLERANCE UNLESS OTHERWISE</p> <table border="1"> <tr> <td>X.</td> <td>±0.15</td> <td>X.</td> <td>±5.°</td> </tr> <tr> <td>.X</td> <td>±0.10</td> <td>.X</td> <td>±2.°</td> </tr> <tr> <td>.XX</td> <td>±0.05</td> <td>.XX</td> <td>±1.°</td> </tr> <tr> <td>.XXX</td> <td>±0.03</td> <td>.XXX</td> <td>±0.5°</td> </tr> </table>				X.	±0.15	X.	±5.°	.X	±0.10	.X	±2.°	.XX	±0.05	.XX	±1.°	.XXX	±0.03	.XXX	±0.5°	<p>深圳市精拓金电子有限公司</p>			
X.	±0.15	X.	±5.°																				
.X	±0.10	.X	±2.°																				
.XX	±0.05	.XX	±1.°																				
.XXX	±0.03	.XXX	±0.5°																				
单位 UNITS	MM	制图 DRAWING	Z-Y-B	制图料号 PRODUCT PART NO.	910-461A2032Y10100																		
比例 SCALE	1:1	审核 CHKD		产品名称 PRODUCT NO.	AF10.0C款180度无脚无边铁壳LCP本色6.5																		
日期 DATE	2012.06.15	核准 APPD		角法 VIEW	版本 VER																		
					AO																		