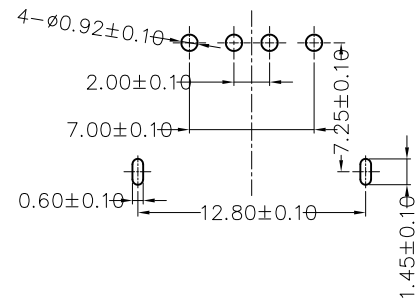
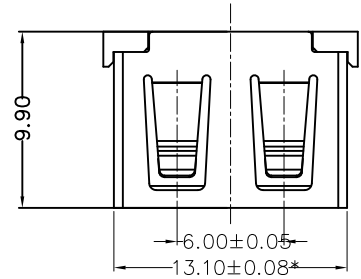
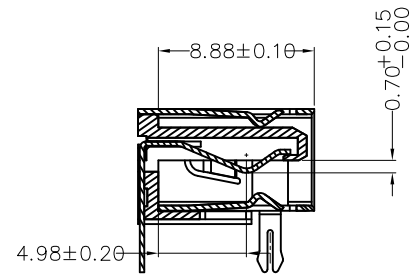


MAPX	MODIFICATION	DATE
------	--------------	------

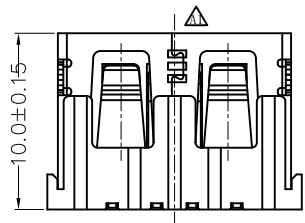
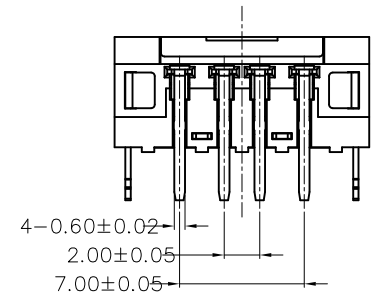
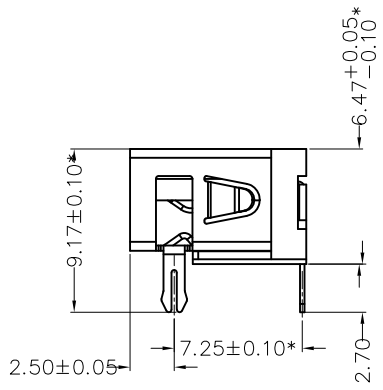
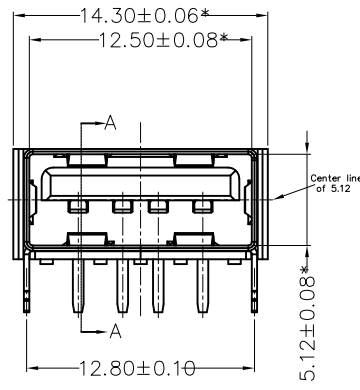
NOTES:  
 1. HOUSING: SEE NOTES,  
 TERMINAL: SEE NOTES.  
 SHELL: SEE NOTES.  
 SPECIFICATION:  
 1. ELECTRICAL CHARACTERISTIC:  
 CONTACT RESISTANCE: 30MΩ MAX  
 DIELECTRIC WITHSTANDING VOLTAGE: 500V AC FOR 1MIN  
 INSULATION RESISTANCE: 1000MΩ MIN  
 2. MECHANICAL CHARACTERISTIC:  
 INSERTION FORCE: 35N(3.57KGF) MAX  
 EXTRACTION FORCE: 10~35N(1.02~3.57KGF)MIN  
 DURABILITY: 1500 CYCLES EXTRACTION FORCE:10~35N  
 3000 CYCLES MIN  
 5000 CYCLES EXTRACTION FORCE:3~35N  
 3. ENVIRONMENTAL:  
 OPERATING TEMPERATURE: -55°C+85°C  
 4. Contact finish:  
 01:Selective Gold Flash  
 02:Selective Gold 30"  
 03:Selective Gold 50"  
 04:Selective Gold 15U"  
 05:Selective Gold 30U"



FRONT EDGE OF CONNECTOR  
PCB LAYOUT



SECTION A-A



产品图 PRODUCT CHART DWG				深圳市精拓金电子有限公司						
公差一览表 TOLERANCE UNLESS OTHERWISE				单位 UNITS	MM	制图 DRAWING	Z-Y-B	制图料号 PRODUCT PART NO.	910-161A1012D10100	
X.	±0.25	X.	±5.°	比例 SCALE	1:1	审核 CHKD		产品名称 PRODUCT NO.	AF10.0C款前两脚无边铁壳PBT白胶6.5DIP	
.X	±0.20	.X	±2.°	日期 DATE	2012.06.15	核准 APPD		角法 VIEW	版本 VER	A0
.XX	±0.15	.XX	±1.°							
.XXX	±0.10	.XXX	±0.5°							