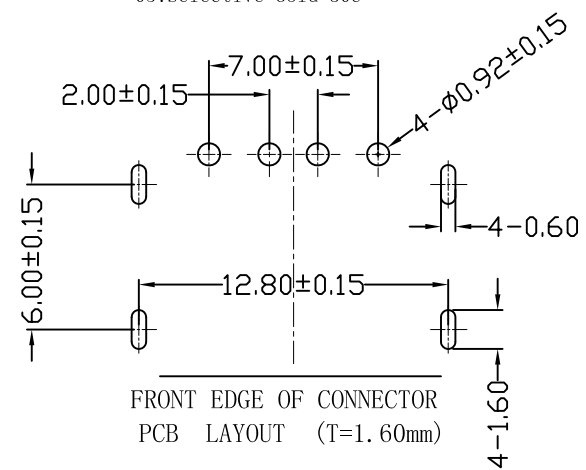
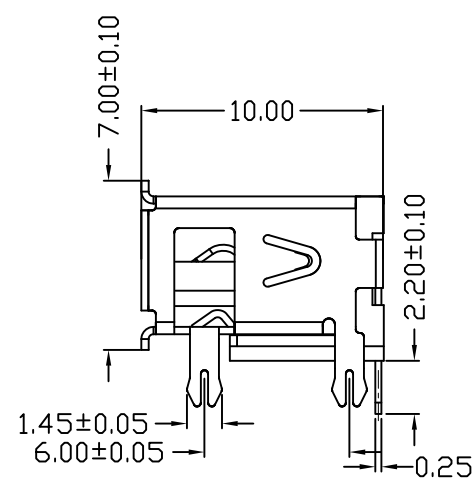
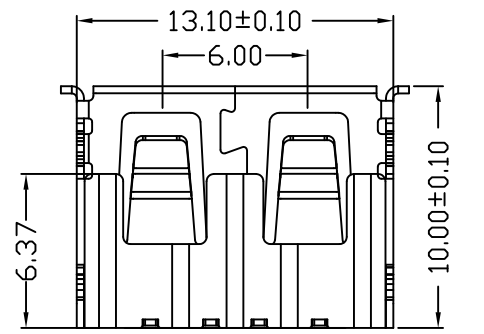
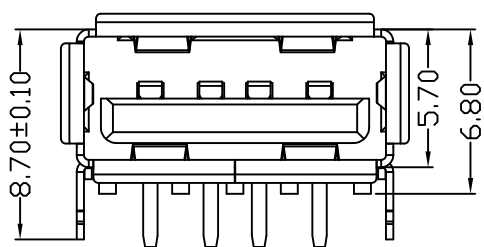
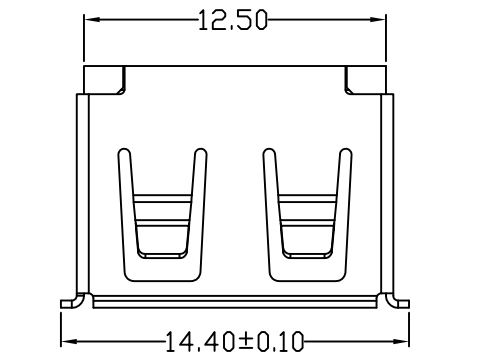


D款, 反向10.0四脚, DIP-*6.80

MAPX	MODIFICATION	DATE



- NOTES:
- HOUSING: SEE NOTES, UL94V-0 .
TERMINAL: SEE NOTES.
SHELL: SEE NOTES.
- SPECIFICATION:
- ELECTRICAL CHARACTERISTIC:
 - CONTACT RESISTANCE: 30MΩ MAX
 - DIELECTRIC WITHSTANDING VOLTAGE: 500V AC FOR 1MIN
 - INSULATION RESISTANCE: 1000MΩ MIN
 - MECHANICAL CHARACTERISTIC:
 - INSERTION FORCE: 35N(3.57KGF) MAX
 - EXTRACTION FORCE: 10~35N(1.02~3.57KGF)MIN
 - DURABILITY: 1500 CYCLES EXTRACTION FORCE:10~35N
5000 CYCLES MIN
 - 5000 CYCLES EXTRACTION FORCE:3~35N
 - ENVIRONMENTAL:
 - OPERATING TEMPERATURE: -55°C+85°C
 - Contact finish:
 - 01:Selective Gold Flash
 - 02:Selective Gold 3U"
 - 03:Selective Gold 5U"
 - 04:Selective Gold 15U"
 - 05:Selective Gold 30U"

产品图 PRODUCT CHART DWG		深圳市精拓金电子有限公司								
公差一览表 TOLERANCE UNLESS OTHERWISE		单位 UNITS	MM	制图 DRAWING	Z-Y-B	制图料号 PRODUCT PART NO.	911-312B2028D10100			
X.	±0.15	X.	±5°	比例 SCALE	1:1	产品名称 PRODUCT NAME	AF10.0D款四脚有边方弹铜壳反向 LCP黑胶6.8DIP			
.X	±0.10	.X	±2°	日期 DATE	2012.09.24	角法 VIEW			版本 VER	AD
.XX	±0.05	.XX	±1°	核准 APPD						
.XXX	±0.03	.XXX	±0.5°							