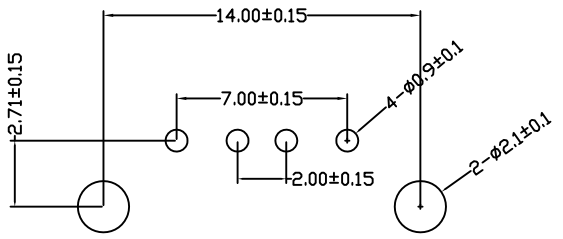
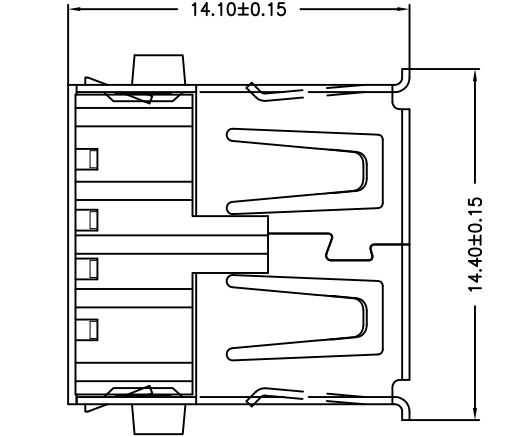
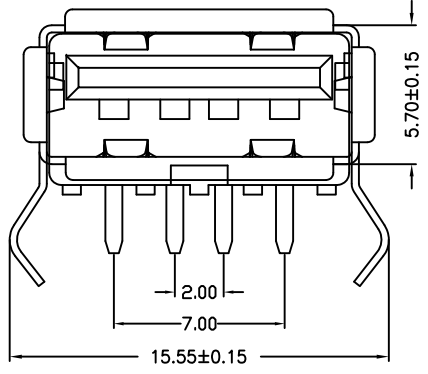
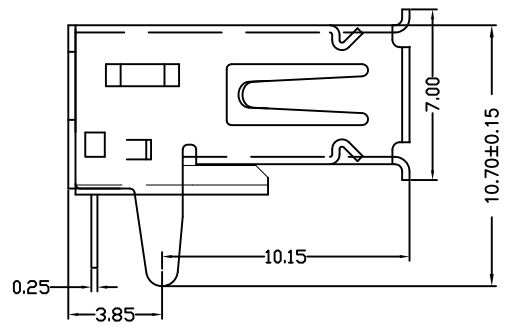


目錄 MAPX	设变内容 MODIFICATION	日期 DATE



RBCOMMENDBD P.C.B PATTBRN LAYD UT

备注：侧弹分为外弹与内弹

NOTES:
 Housing: Thermoplastics,UL94V-0
 Contact: Copper Alloy
 Shell: Copper Alloy/Steel
 Voltage Current Rating:1.5 AMP. 30V AC
 Insulation Resistance:1000MΩ Min.
 Contact Resistance:30 MΩ Max.
 Dielectric Withstanding Voltage:500W AC
 Temperature Range:-35°C to +85°C
 Insulator color: Black/White
 Plastic material:PBT/LCP/Others
 Shell finish:Nickel plated/Tin-Lead plated
 Mechanical:
 Mating Force: 3.5KG MAX
 Unmating Force: 0.7 KG MIN.
 Contact finish:
 01: Selective Gold Flash
 02: Selective Gold 3U"
 03: Selective Gold 5U"
 04: Selective Gold 15U"
 05: Selective Gold 30U"

产品图 PRODUCT CHART DWG		深圳市精拓金电子有限公司								
公差一览表 TOLERANCE UNLESS OTHERWISE				单位 UNITS	MM	制图 DRAWING	Z-Y-B	产品料号 PRODUCT PART NO.	902-131A1021D10100	
X.	±0.25	X'	±5'	比例 SCALE	1:1	审核 CHKD	雷永键	产品名称 PRODUCT NO.	AF90度内扣弯脚有边内弹铁壳 T型PBT黑胶	
.X	±0.20	.X'	±2'						日期 DATE	2009/10/20
.XX	±0.15	.XX'	±1'					版本 VER	A0	
.XXX	±0.10	.XXX'	±0.5'							