

SPECIFICATIONS

RK09K1130D4U

ELECTRICAL

1. Total resistance : 10k Ω \pm 20%
2. Rated power : 0.05 W
3. Rated voltage :
 The rated voltage shall be the voltage of D.C. or A.C. (commercial frequency , effective value) corresponding to the rated power (dissipation), and be obtained from the following formula. When the obtained rated voltage exceeds the maximum working voltage given in the following, however, the maximum working voltage of the following shall be the rated voltage.

$$E = \sqrt{P \cdot R} \text{ (V)}$$
 where E : Rated voltage (V)
 P : Rated power(dissipation) (W)
 R : Nominal total resistance (Ω)
 Maximum working voltage : 50 V A.C. , 20 V D.C.
4. Residual resistance between terminals
 between term. 1&2, term. 2&3 : 300 Ω max.
5. Sliding noise : Less than 100 mV measured by method of JIS C 6443.
6. Insulation resistance : Greater than 100 M Ω measured by D.C. 250V.
7. Withstand voltage: More than 1 minute with an application of A.C. 250 V.
8. Taper : B

MECHANICAL

1. Overall rotational angle : 280° \pm 5°
2. Operation torque : 1~8mN·m (Rotational speed 60°/sec.)
3. Shaft end stop strength : No damage with an application of 0.3N·m.
4. Starting torque : 10mN·m MAX.
5. Resistance to soldering heat :
 After manual soldering (Less than 350°C and quicker than 3 seconds) there shall be no evidence of poor contact between resistance element and terminals, or any physical damages as a result of the test.
6. Play of shaft :
 The resistor shall be mounted by soldering the mounting legs on the panel. Then a side thrust of 25mN·m at the end of the shaft shall be applied, then the total play of the shaft shall not exceed 0.8 x L / 20 mm p-p.
 (L:Shaft length)
7. Inclination of shaft :
 The eccentricity of the root of shaft shall not exceed 0.35mm against the center of the mounting position.
8. Eccentricity of shaft :
 The inclination of shaft shall be within 0.35mm to the center of shaft, which is parallel to the mounting surface.
9. Robustness of shaft against end thrust :
 The shaft shall withstand against end thrust of 50N for 3 seconds.
10. Robustness of shaft against side thrust :
 The shaft shall withstand against side thrust of 40N for 3 seconds on the end of the shaft at right angles to the axis of the shaft after mounting the resistor by soldering.

ENDURANCE

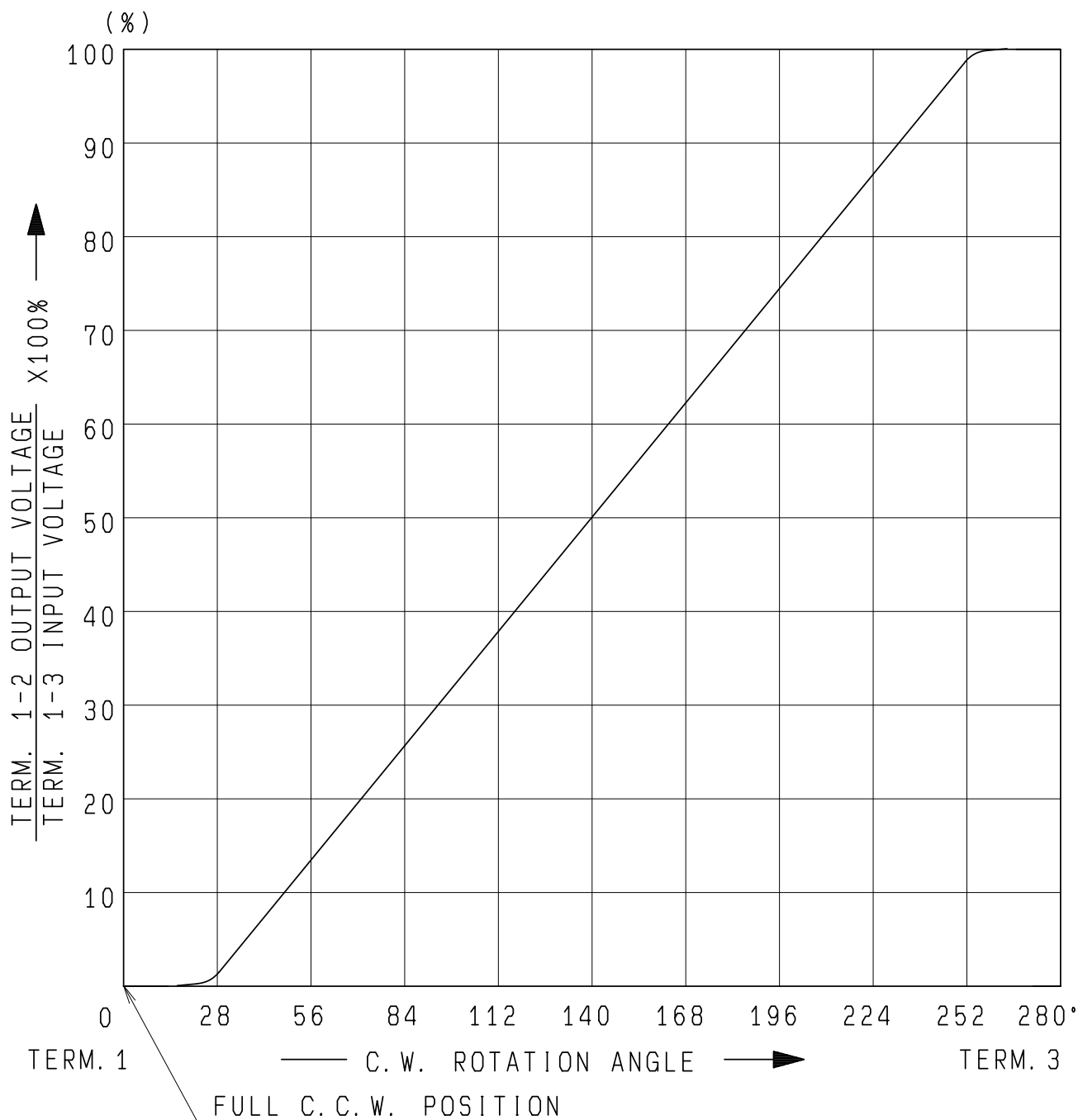
1. Rotational life : 5,000 cycles min.

NOTE

1. The items except above mentioned items shall meet or exceed JIS C 6443.
2. Operating temperature : -10°C~+70°C, 3. Storage temperature : -30°C~+70°C.

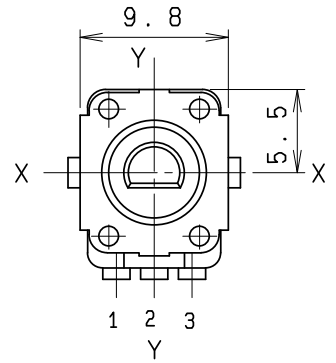
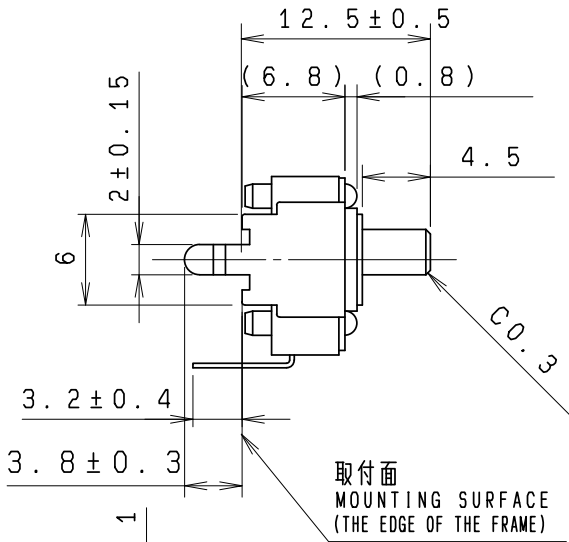
					ALPSALPINE CO., LTD.			
					APPD.	CHKD.	DSGD.	TITLE
					<i>Sep. 13. '96</i>	<i>Sep. 13. '96</i>	<i>Sep. 13. '96</i>	
					<i>S. Aizawa</i>	<i>M. Satoh</i>	<i>Y. Saitoh</i>	DOCUMENT NO.
								V R 0 0 0 0 0 1 4
SYMB	DATE	APPD	CHKD	DSGD				

ALPSALPINE CO., LTD.

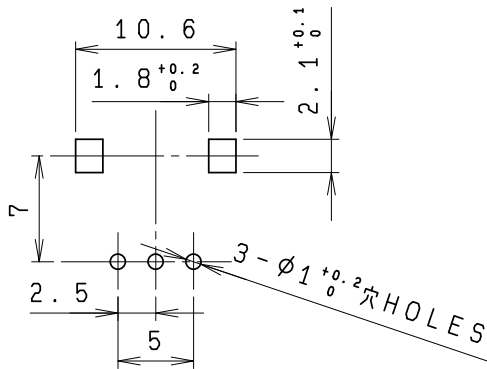
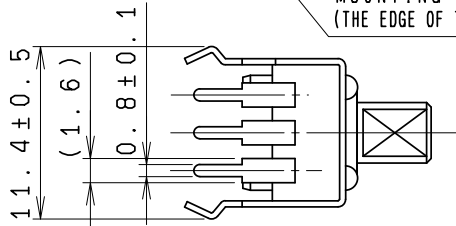


AT 140° C.W. SHAFT ROTATION FROM FULL C.C.W. POSITION VOLTAGE PERCENT SHALL FALL WITHIN THE LIMITS OF 40~60 PERCENT.

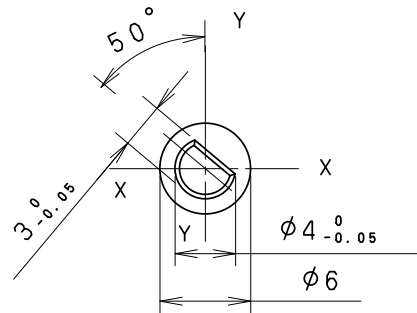
					APPD.	CHKD.	DSGD.	NAME
					Jul. 13. '93	Jul. 13. '93	Jul. 13 '93	RESISTANCE TAPER (B)
SYMB	DATE	APPD	CHKD	DSGD	K. Magami	K. Sasaki	K. Suzuki	DOCUMENT NO.
								VR00000014



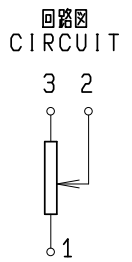
軸はセンター位置を示す。
SHAFT SHOWN IN
CENTER POSITION.



端子取付穴寸法図(挿入側より見た図)
(許容差±0.1)
MOUNTING HOLE DETAIL
(TOLERANCE±0.1)
VIEWED FROM MOUNTING SIDE



軸は反時計方向に回し切った状態を示す。
SHAFT SHOWN IN
FULL C.C.W. POSITION.



製品質量: 1.3 g
NET WEIGHT

指定なき部分の許容差 TOLERANCES UNLESS OTHERWISE SPEC	
$L \leq 10$	±0.3
$10 < L < 100$	±0.5
$100 \leq L$	±0.8
角度 ANGULAR DIMENSION	±5°

PART NO.					NAME					MATERIAL NAME / CODE					SHAFT COLOR : BLACK(B)									
SYMB					DATE					APPD					CHKD					DSGD				
ALPSALPINE CO., LTD.																								
DSGD. 1-設計1課 Y. Saitoh 96-09-13										SCALE 2 : 1					NO. VR00000014									
CHKD. Y. Satoh 96-09-13										UNIT m m					TITLE 9形1軸単連絶縁軸VR									
APPD. S. Aizawa 96-09-13										DOCUMENT NO. K091COZOC					F02									

Confidential