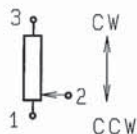
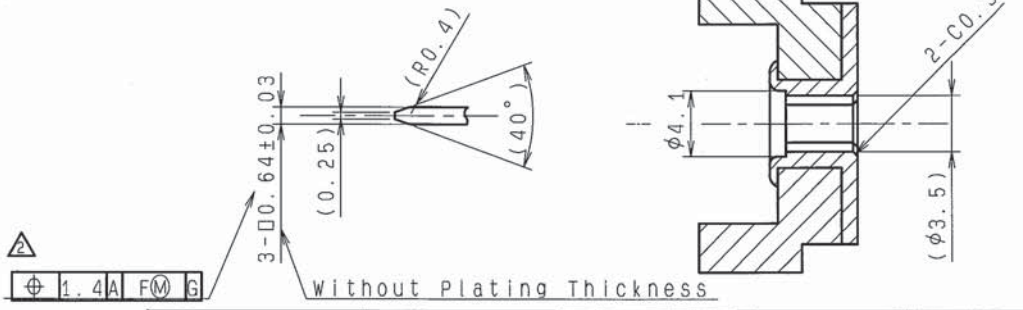
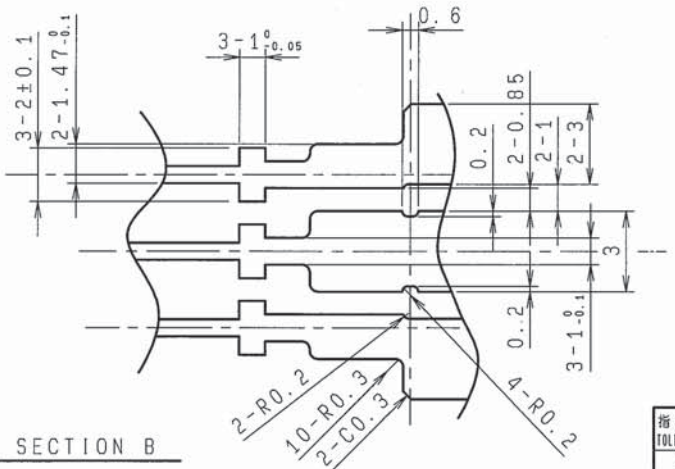
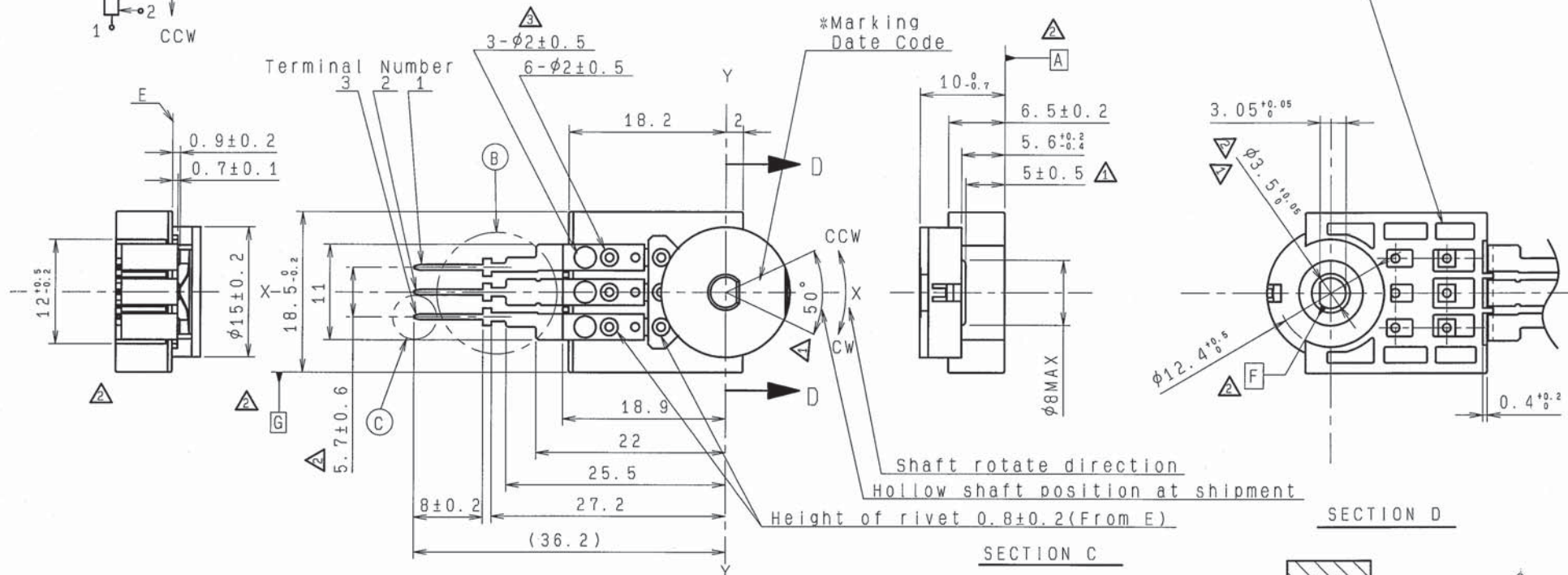


CIRCUIT



Thickness reduction  
barr Max 0.2mm.



指定なき部分の許容差  
TOLERANCES UNLESS OTHERWISE SPEC

L ≤ 10	±0.3
10 < L ≤ 100	±0.5
100 ≤ L	±0.8
角度 ANGULAR DIMENSION	±5°

PART NO.		MATERIAL		SPEC/NAME		FINISH	
<b>ALPS ELECTRIC CO., LTD.</b>				DSGD. 1-16		SCALE NO.	
				T. NOMURA MAR-03-2005		2:1	
				CHKD.		TITLE	
				M. ASANO MAR-08-2005		ROTARY POSITION SENSOR	
				APPD. 1-16		DOCUMENT NO.	
				R. HIROTA MAR-09-2005		RD602B016	
NO.	SYMB	DATE	APPD	CHKD	DSGD	UNIT	
						mm	

