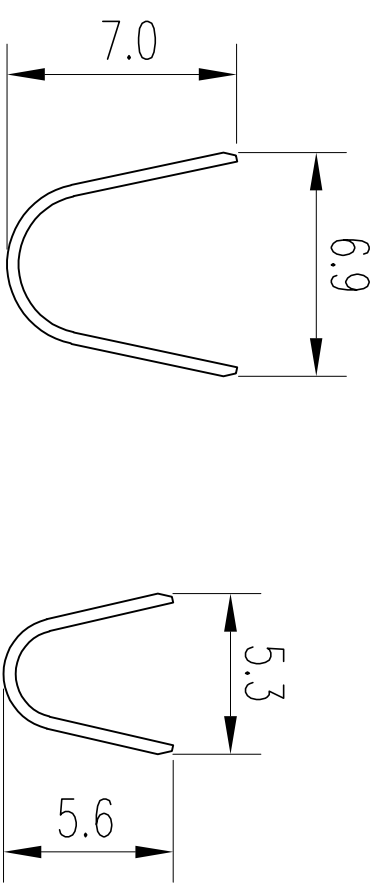
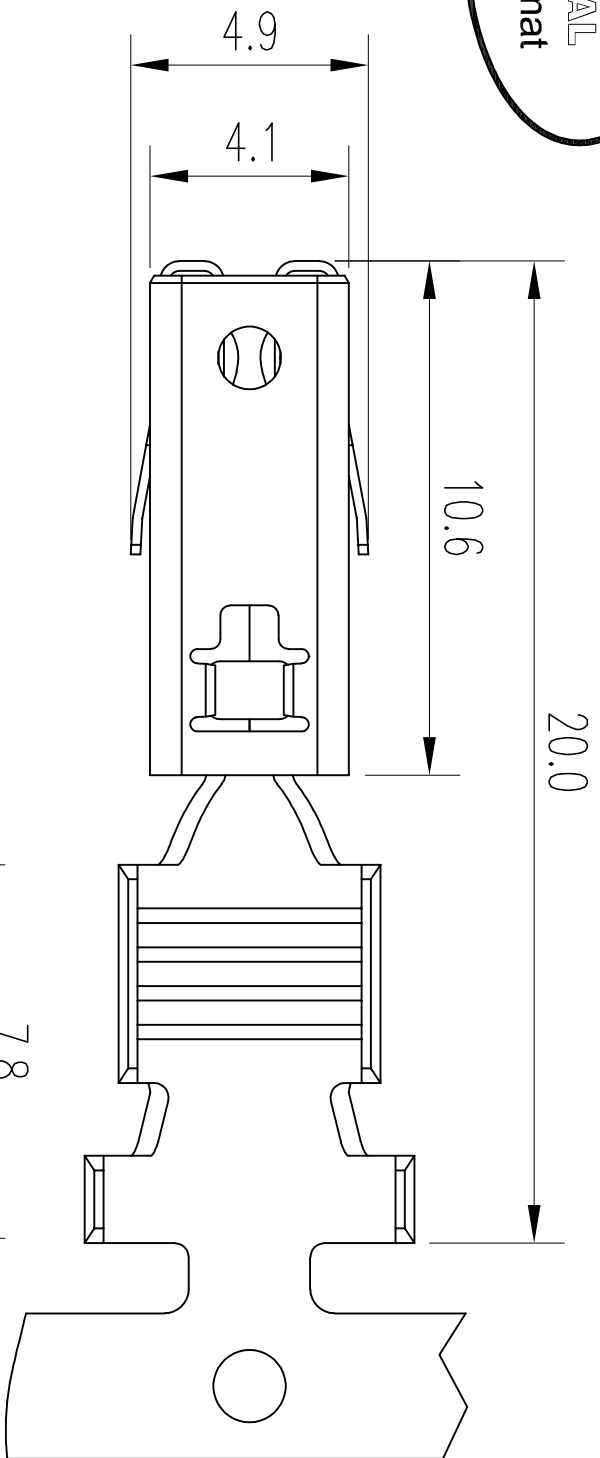
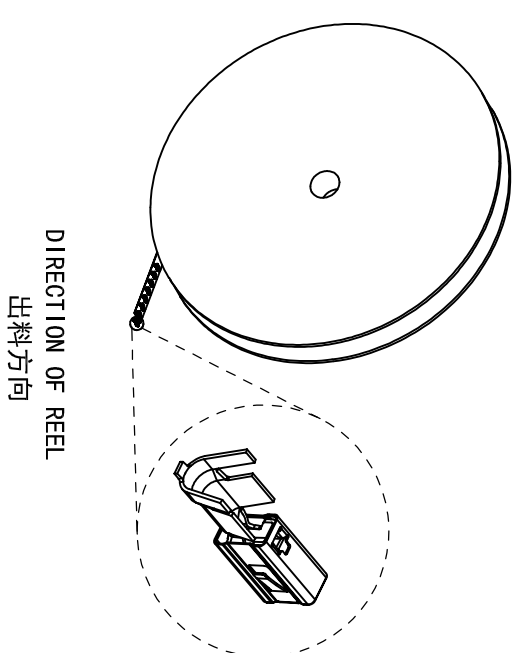
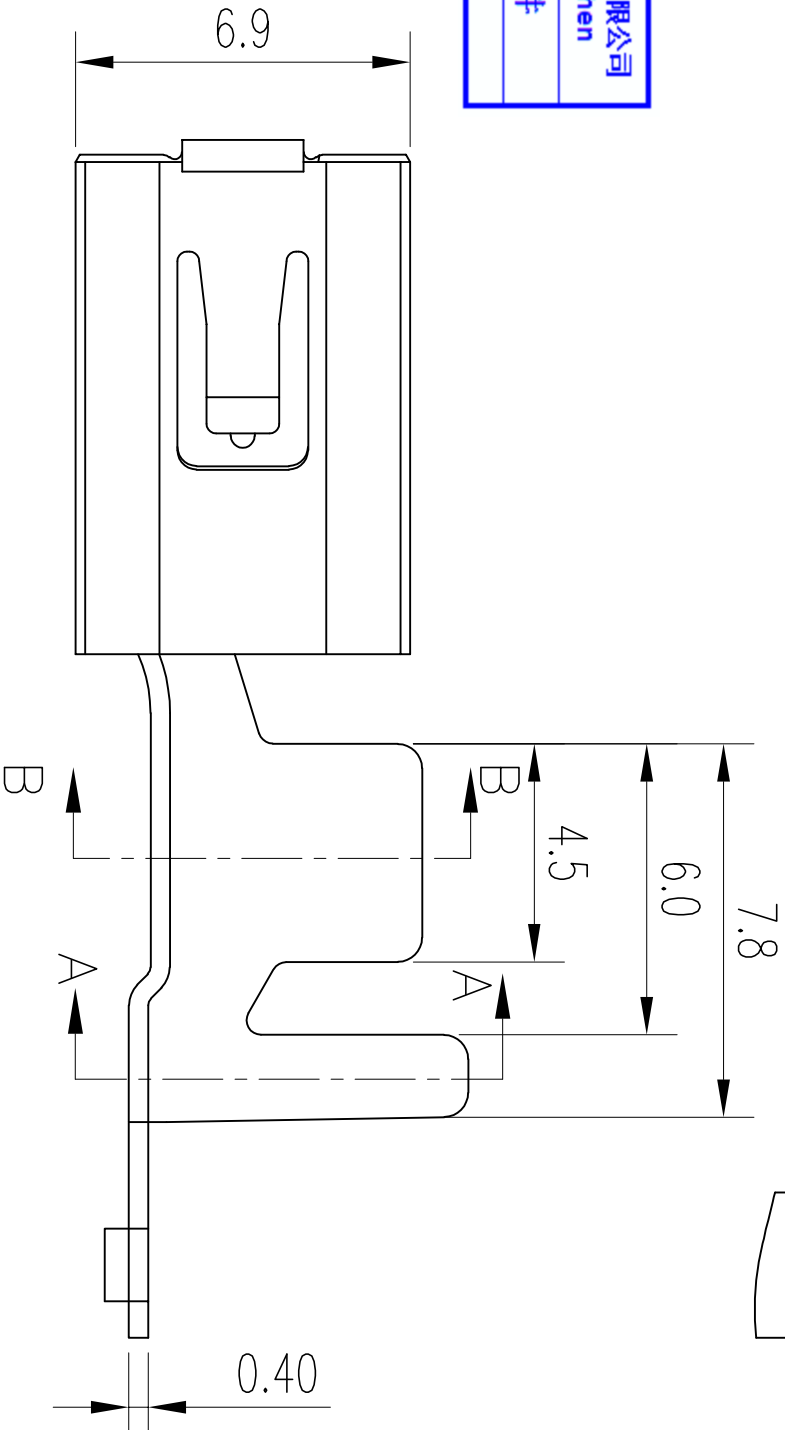


Amphenol PCD SZ
ORIGINAL
PDF Format
R&D



安费诺精密连接器(深圳)有限公司
Amphenol PCD Shenzhen
受控文件
2019年5月7日



- TECHNICAL FEATURES
- ★ 1. MATERIAL: CONTACT: CUNISI, T=0.40MM
TOP SPRING: STAINLESS
 - ★ 2. CONTACT FINISH: TIN PLATED
WIRE SIZE RANGE: 4.0~6.0 MM²
 - ★ 3. CURRENT CARRYING CAPACITY:
UP TO 40 AMPERE (AT 20°C AMBIENT TEMPERATURE)
 - ★ 4. ALL DIMENSION ARE AFTER PLATING
 - ★ 5. ROHS COMPLIANCE 符合RoHS

“★”: CRITICAL CHARACTERISTICS 关键特性
“◎”: IMPORTANT CHARACTERISTICS 重要特性

C-C310003623S

REV	ECN	DESCRIPTION	DATE	MODIFIED
1		FIRST RELEASE	2019.04.17	R.Q

DIMENSIONS	TOLERANCES	PROJECTION	Amphenol Pcd Shenzhen 201.04.17
ANSI Y14.5M UNITS: MM CAD FILE	X .XX ANGLES ±0.5 ±0.05 ±2°		

ORIGINAL	THIS DOCUMENT CONTAINS PROPRIETARY INFORMATION WHICH IS THE CONFIDENTIAL PROPERTY OF AMPHENOL PCD SHENZHEN	CHKD APPD <i>Dertik</i> <i>Sandra</i>	SIZE A3	DWG NO. C-C310003623S	REV 1
----------	---	--	------------	--------------------------	----------

TITLE	6.3MM FEMALE PIN
-------	------------------

CODE:	SCALE	SHEET	REV
	3:1	1 OF 1	1

C-C310003623S

C-C310003623S