



# THINKING ELECTRONIC INDUSTRIAL CO., LTD.

HEAD OFFICE: 12F, No.93, Dashun 1st Rd., Zuoying Dist., Kaohsiung, Taiwan

TEL: 886-7-5577660 FAX: 886-7-5570560

## MANUFACTURING SITE

- KAOHSIUNG FACTORY 1: No. 51, Kaifa Rd., N.E.P.Z, Kaohsiung City 81170, Taiwan  
TEL: 886-7-9616668 FAX: 886-7-9616698
- KAOHSIUNG FACTORY 2: No. 2-2, Xinjian S. Rd., N.E.P.Z., Kaohsiung City 81170, Taiwan  
TEL: 886-7-9630001 FAX: 886-7-3635113
- CHANGZHOU FACTORY: No.6 Longmen Rd., Wujin High & New-Tech Industrial  
Development Zone, Changzhou, Jiangsu, China 213161  
TEL: 86-519-86578999 FAX: 86-519-86558643
- DONG GUAN FACTORY: No.45, East Rd., Sha-Tao Dist., Chang-An Town,  
Dongguan City, Guangdong, China 523863  
TEL: 86-769-85542016 FAX: 86-769-85546890
- YICHANG FACTORY: No. 283 Xiaoting Avenue, Xiaoting Dist., Yichang  
City 443007, Hubei, China  
TEL: 86-717-6510010 FAX: 86-717-6511430



## SPECIFICATION FOR APPROVAL

CUSTOMER \_\_\_\_\_

CERTIFIED  
MODEL/TYPE

\_\_\_\_\_

TVA25821-G

PART NO.

\_\_\_\_\_

TVA25821KGKGE500(RoHS)

APPLICATION \_\_\_\_\_

CUSTOMER P/N \_\_\_\_\_

ISSUE DATE

\_\_\_\_\_

Aug.27.2020

REV. NO. \_\_\_\_\_

REV. DATE \_\_\_\_\_

FOR CUSTOMER APPROVAL	CHECKED BY
	Yuan Yuan
	<b>APPROVED BY</b>
	Huaifang Zhang





**REVISED RECORD SHEET**

REV. NO	REV. DATE	REVISED CONTENT



<b>INDEX</b>	<b>Page</b>
■ Part Number Code	1
■ Structure and Dimensions	2
■ Electrical Characteristics	2
■ Reliability	3 ~ 4
■ Soldering Recommendation	5
■ Power Derating Curve	6
■ RoHS Compliant Declaration	6
■ Warehouse Storage Conditions of Products	6
■ Safety Approvals	7
■ Certificates	7
■ Max. Surge Current Derating Curves	8
■ Max. Leakage Current and Max. Clamping Voltage Curve	9

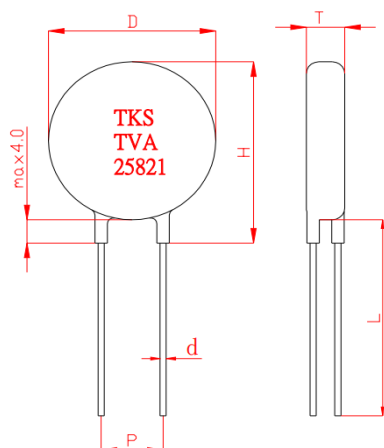
Part Number Code

Example :

**TVA**   **25**   **821**   **K**   **G**   **KG**   **E**   **5**   **00**  
 (1)   (2)   (3)   (4)   (5)   (6)   (7)   (8)   (9)

No.	Item	Digit	Specification
(1)	Product Type	TVA	Thinking varistor TVA type
(2)	Size	25	φ 25 mm
(3)	Varistor Voltage	821	$82 \times 10^1 \text{ V} = 820\text{V} (V_{1\text{mA}})$
(4)	Tolerance of $V_{1\text{mA}}$	K	±10%
(5)	Structure Type	G	Lead type
(6)	Terminal Type	KG	Straight type
(7)	Coating Material	E	Epoxy
(8)	RoHS Compliance	5	RoHS compliance
(9)	Optional Suffix	00	None special requirement

Structure and Dimensions



( unit : mm )

Disc size	Dmax	P	Hmax	dΦ	Lmin	Tmax
Φ 25	29	10±1.0	33	1±0.02	25	7.9

Electrical Characteristics ( Ambient  $T_a=25\text{ }^\circ\text{C}$  )

Part No.	Varistor Voltage (@ 1mA DC)	Max. Continuous Voltage		Max. Clamping Voltage (8/20μS)		Max. Surge Current (8/20μS)	Max. Energy (2mS)
	$V_{1mA}$ (V)	$V_{AC(rms)}$ (V)	$V_{DC}$ (V)	$V_p$ (V)	$I_p$ (A)	I (A)	W (J)
TVA25821KGKGE500	820±10%	510	670	1355	150	15000	300

Part No.	Rated Power	Impulse Response Time	Max. Leakage Current at 75% $V_{1mA}$	Reference Capacitance @1KHZ	Operating Temperature	Storage Temperature
	P (W)	nSec	$I_L(\mu A)$	C (pF)	( $^\circ\text{C}$ )	( $^\circ\text{C}$ )
TVA25821KGKGE500	1	<25	20	520	-40 ~ +85	-40 ~ +110





Reliability

Item	Standard	Test conditions / Methods	Specifications															
Tensile Strength of Terminals	IEC60068-2-21	<p>Gradually applying the force specified and keeping the unit fixed for 10±1 sec.</p> <table border="1"> <thead> <tr> <th>Terminal cross-sectional area(mm<sup>2</sup>)</th> <th>Terminal diameter (mm)</th> <th>Force (Kg)</th> </tr> </thead> <tbody> <tr> <td>0.5&lt;S≤1.2</td> <td>0.8&lt;d≤1.25</td> <td>2.0</td> </tr> <tr> <td>1.2&lt;S</td> <td>1.25&lt;d</td> <td>4.0</td> </tr> </tbody> </table>	Terminal cross-sectional area(mm <sup>2</sup> )	Terminal diameter (mm)	Force (Kg)	0.5<S≤1.2	0.8<d≤1.25	2.0	1.2<S	1.25<d	4.0	<p>No visible damage   <math>\Delta V/V_{1mA}</math>   ≤5%</p>						
Terminal cross-sectional area(mm <sup>2</sup> )	Terminal diameter (mm)	Force (Kg)																
0.5<S≤1.2	0.8<d≤1.25	2.0																
1.2<S	1.25<d	4.0																
Vibration	IEC 1051-1	<p>Frequency range:10~55Hz Amplitude:0.75mm or 98m/S<sup>2</sup> Direction:3 mutually perpendicular directions,2hrs each.</p>	<p>No visible damage   <math>\Delta V/V_{1mA}</math>   ≤5%</p>															
Solderability	IEC60068-2-20	245°C±3°C , 3±0.3S	At least 95% of terminal electrode is covered by new solder															
Resistance to Soldering Heat	IEC60068-2-20	260 ± 3 °C , 10 ± 1 sec	<p>No visible damage   <math>\Delta V/V_{1mA}</math>   ≤5%</p>															
High Temperature Storage	IEC60068-2-2	110 ± 5 °C , 1000 ± 24 hrs	<p>No visible damage   <math>\Delta V/V_{1mA}</math>   ≤5%</p>															
Damp Heat, Steady State	IEC 60068-2-78	<p>The test is divided into two groups . a.40 ± 2°C , 90 ~ 95 % RH , 1344 hrs b.40 ± 2°C , 90 ~ 95 % RH , at 10%V<sub>DC</sub>, 1344 hrs</p>	<p>No visible damage   <math>\Delta V/V_{1mA}</math>   ≤10% Insulation Resistance ≥ 100MΩ</p>															
Rapid Change of Temperature	IEC60068-2-14	<p>The conditions shown below shall be repeated 5 cycles</p> <table border="1"> <thead> <tr> <th>Step</th> <th>Temperature (°C)</th> <th>Period (minutes)</th> </tr> </thead> <tbody> <tr> <td>1</td> <td>-40 ± 3</td> <td>30 ± 3</td> </tr> <tr> <td>2</td> <td>Room temperature</td> <td>15 ± 3</td> </tr> <tr> <td>3</td> <td>85 ± 2</td> <td>30 ± 3</td> </tr> <tr> <td>4</td> <td>Room temperature</td> <td>15 ± 3</td> </tr> </tbody> </table>	Step	Temperature (°C)	Period (minutes)	1	-40 ± 3	30 ± 3	2	Room temperature	15 ± 3	3	85 ± 2	30 ± 3	4	Room temperature	15 ± 3	<p>No visible damage   <math>\Delta V/V_{1mA}</math>   ≤5%</p>
Step	Temperature (°C)	Period (minutes)																
1	-40 ± 3	30 ± 3																
2	Room temperature	15 ± 3																
3	85 ± 2	30 ± 3																
4	Room temperature	15 ± 3																
Endurance at Upper Category Temperature	IEC61051-4.20	85 ± 2 °C , 1000 ± 24 hrs, at V <sub>DC</sub> or V <sub>rms</sub> (Max. Operating Voltage)	<p>  <math>\Delta V/V_{1mA}</math>   ≤10% No visible damage</p>															
8/20μS Surge Life	CECC42000	10,000 pulses ( 8/20μS ) , unipolar, interval 10 secs, amplitude corr. to max. Surge current derating curves for 20μS	<p>  <math>\Delta V/V_{1mA}</math>   ≤ 10% No visible damage</p>															



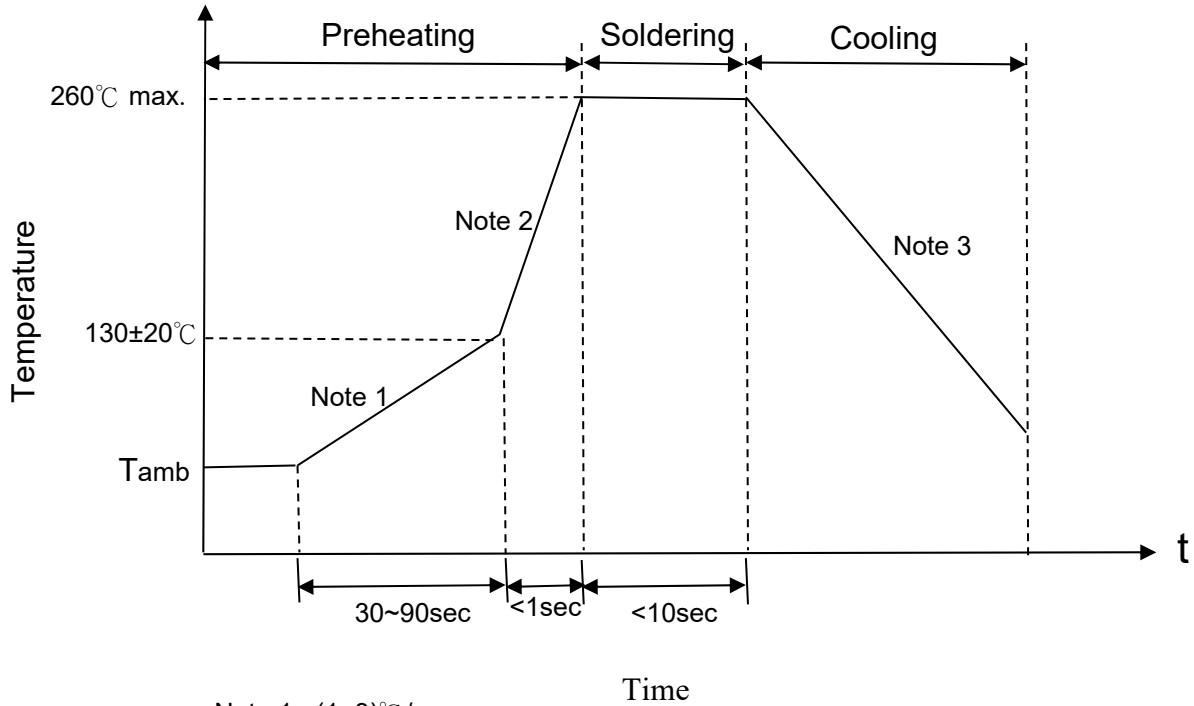
Reliability

Item	Standard	Test conditions / Methods	Specifications
10/1000 $\mu$ S Surge Life	CECC42000	10/1000 $\mu$ S waveform, 10 surge currents, unipolar, interval 2mins, amplitude corr. to max. surge current derating curves for 1000 $\mu$ S	$ \Delta V/V_{1mA}  \leq 10\%$ No visible damage
Varistor Voltage Temp. Coefficient	Specification Standard	$\frac{V_{1mA} \text{ at } 85^{\circ}\text{C} - V_{1mA} \text{ at } 25^{\circ}\text{C}}{V_{1mA} \text{ at } 25^{\circ}\text{C}} \times \frac{1}{60} \times 100 (\% / ^{\circ}\text{C})$ $\frac{V_{1mA} \text{ at } -40^{\circ}\text{C} - V_{1mA} \text{ at } 25^{\circ}\text{C}}{V_{1mA} \text{ at } 25^{\circ}\text{C}} \times \frac{1}{65} \times 100 (\% / ^{\circ}\text{C})$	$-0.05 \leq TC \leq 0.05 (\% / ^{\circ}\text{C})$
Voltage Proof	IEC61051-4.9	Metal balls method, 2500 Vac 1 min	No visible damage



## Soldering Recommendation

### ■ Wave Soldering Profile



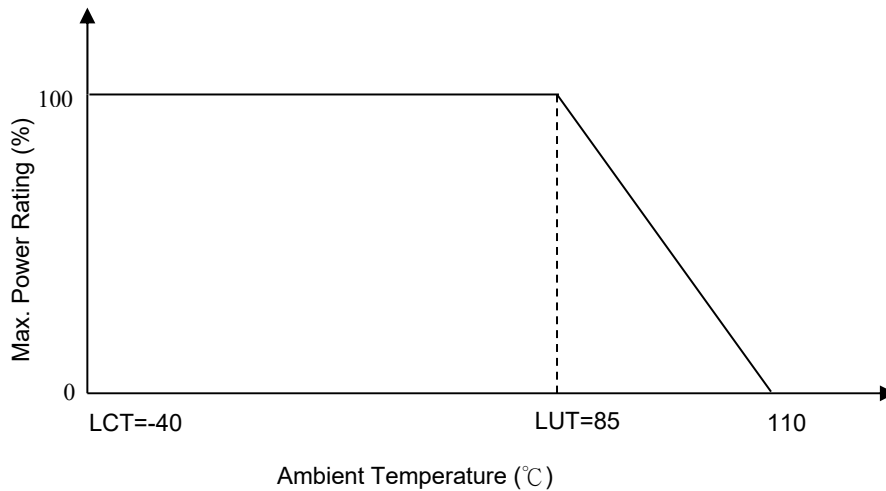
- Note 1 : (1~3)°C/sec  
 Note 2 : Approx. 200°C/sec  
 Note 3 : 5°C/sec Max

### ■ Recommended Reworking Conditions with Soldering Iron

Item	Conditions
Temperature of Soldering Iron-tip	360°C (max.)
Soldering Time	3 sec (max.)
Distance from Varistor	2 mm (min.)

### Power Derating Curve

When operating temperature exceeds 85°C, the power, the Max.continuous operation Voltage,the Max.Surge Current and the Max.Energy should be derated as below figure, the derated coefficient is -4%.



### RoHS Compliant Declaration

We hereby declare that the components delivered to your company are compliant with RoHS directive 2011/65/EU.

### Warehouse Storage Conditions of Products

(I) Storage Conditions :

- 1.Storage Temperature : -10°C~+40°C
- 2.Relative Humidity :  $\leq 75\%RH$
- 3.Keep away from corrosive atmosphere and sunlight.

(II) Period of Storage : 1 year

---

Safety Approvals (Certified Model/Type :TVA25821-Q)



\* UL 1449 4th / cUL recognized (File # E314979)

Certificates

- (1) IATF 16949 certificate
- (2) ISO 9001 certificate

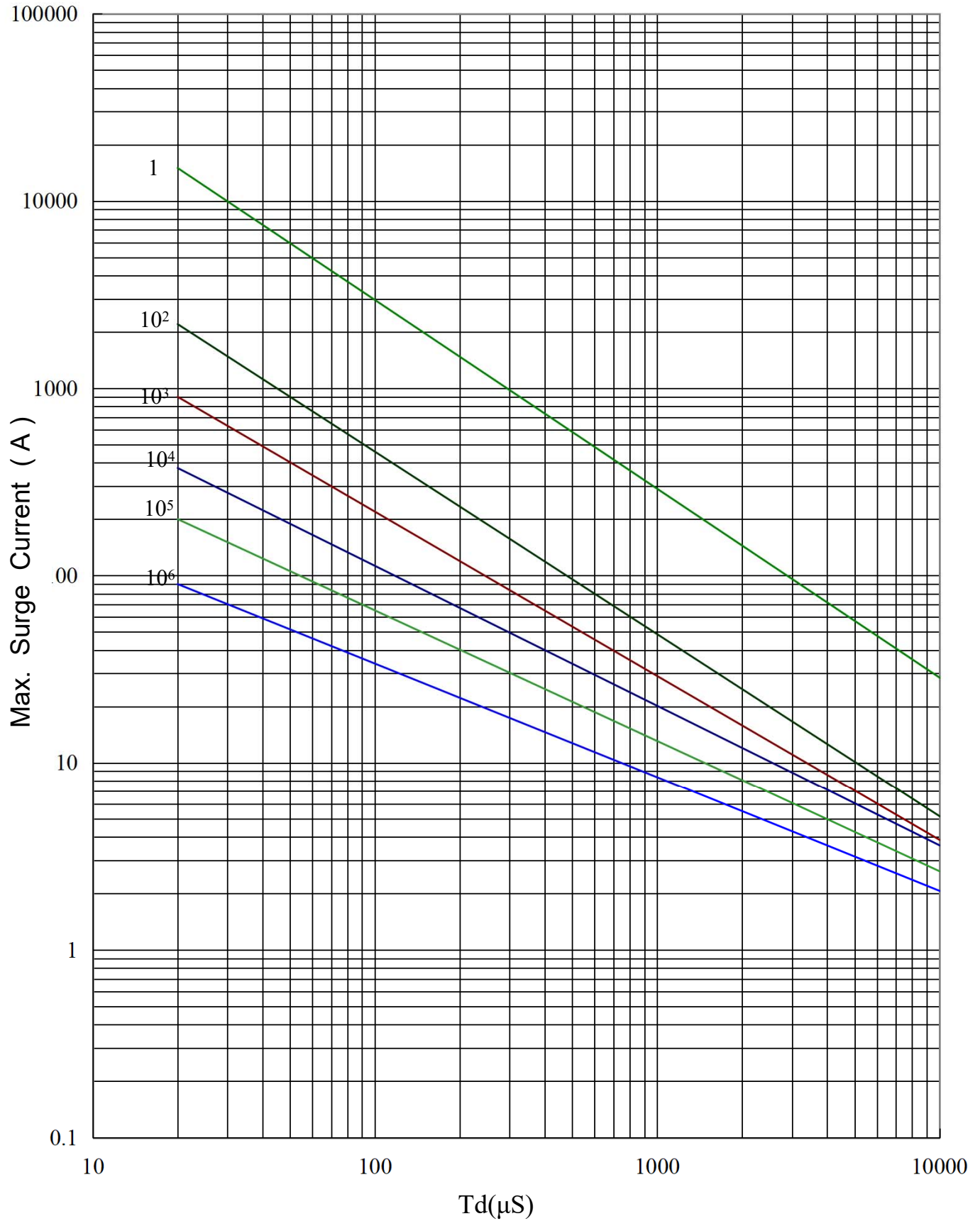
Test Report

- (1) RoHS test report



Max. Surge Current Derating Curves

**TVA25821KGKGE500**





Max. Leakage Current and Max. Clamping Voltage Curve

