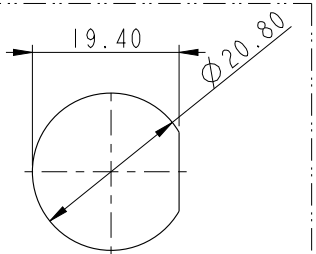
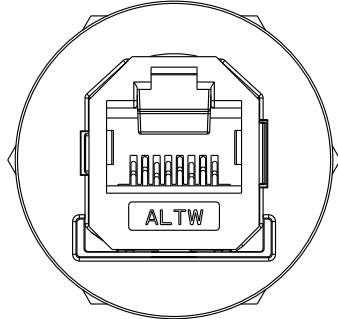
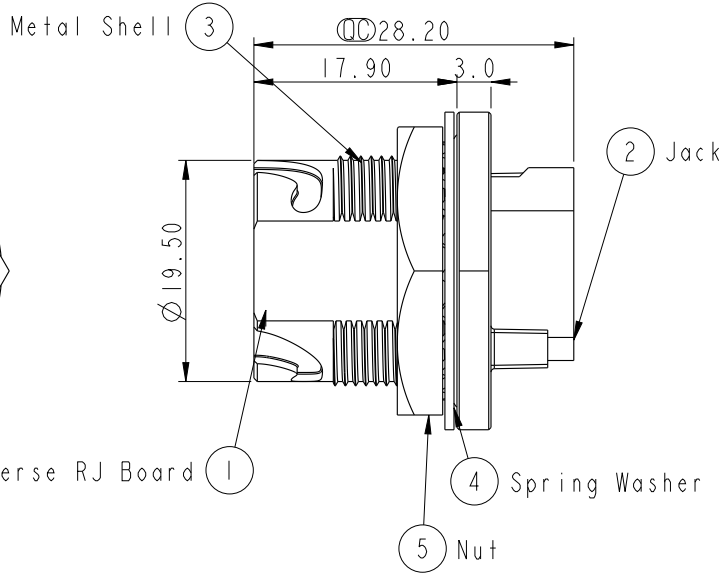
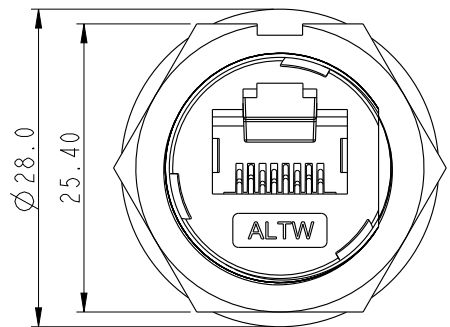
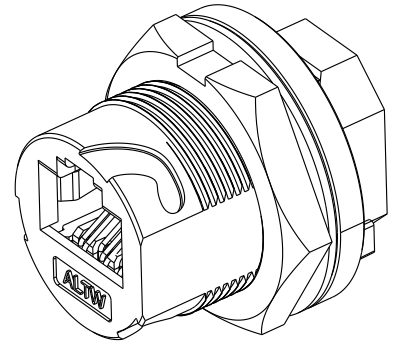
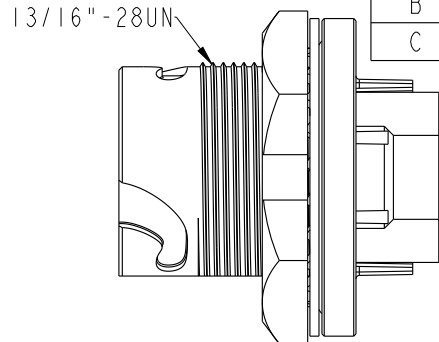


THIS DOCUMENT IS SUBJECT TO CHANGE WITHOUT NOTICE. IT IS CONFIDENTIAL AND A PROPERTY OF Amphenol LTW. DISCLOSURE TO THIRD PARTY HAS TO BE AUTHORIZED BY Amphenol LTW.

REV.	ECN NO.	DATE	SIGN	DESCRIPTION
A		2017/03/29	Kris	Initial Release
B	CI90405	2019/03/14	Ruru	Modify Note
C	CI90541	2019/04/16	JC Chen	Modified parts

ALTW
CONFIDENTIAL
2019-04-16
R&D DEPT.



Recommended Panel Cut-out Front View

- Note:**
- * ⌀ Important Dimension to check
 - * Waterproof Rate: IP67, Mated
 - * Insert Housing: Thermoplastic, Black
 - * Pin: Copper Alloy, Gold Plated
 - * Metal Shell & Jack & Nut: Metal, Nickel Plated
 - * O-Ring: Silicone Gray_Black.
 - * Spring Washer: Stainless steel.
 - * Use without waterproof cap or Dust cap for panel thickness Max:4.2mm
 - * Use with waterproof cap or Dust cap for panel thickness Max:3.0mm
 - * Screw Torque :9~12kgf-cm
 - * Gasket and Nut are packed separately in PE bags.

UNIT: mm		
TOLERANCE		
.X	±0.25	
.XX	±0.1	
.XXX	±0.05	
ANGLES	±1°	

TITLE RJ45 Cat.6A Receptacle			
SCALE 3:2	SIZE A4	SHEET 1 OF 1	
REV. C	WC-REV. A.17	⌀ : Inspection item	

Amphenol LTW
安費諾亮泰企業股份有限公司

ITEM NO. RCM-6APFFH-TCM7001	DRAWN BY JC Chen	DATE 2019-04-16
DWG NO. RCM-6APFFH-TCM7001	CHECKED BY Li Feng	DATE 2019-04-16
CUSTOMER ALTW	APPROVED BY Jerry	DATE 2019-04-16

Mouser Electronics

Authorized Distributor

Click to View Pricing, Inventory, Delivery & Lifecycle Information:

[Amphenol:](#)

[RCM-6APFFH-TCM7001](#)