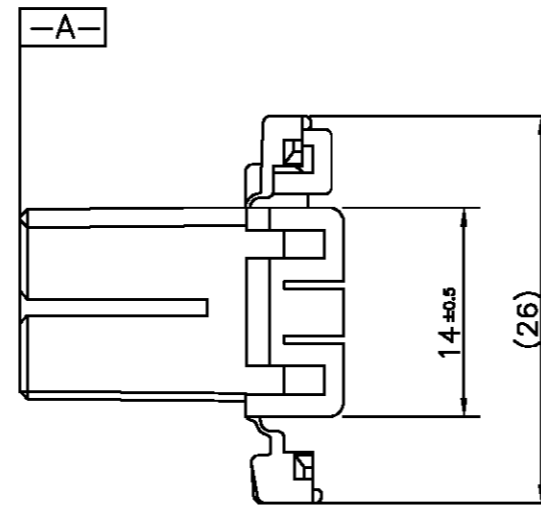
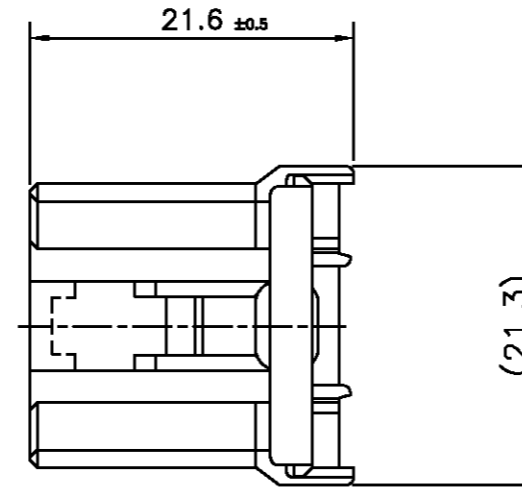
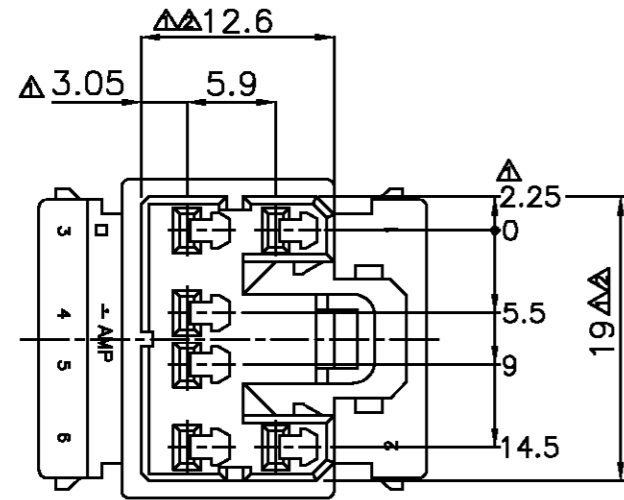


P	LTR	DESCRIPTION	DATE	DWN	APVD
0		RELEASED(FC00-0002-00)	04,JAN,00	HS	CS



NOTES.

- 1. MUST BE KEPT BETWEEN -A-
- 2. TO BE MATED WITH THE CAP HSG SMOOTHLY.
- 3. APPLIED RECEPTACLE CONTACT P/N: 173630, 173631.
- 4. APPLIED CAP HSG P/N: 368546.

368539-1	NATURAL
Part Number	COLOR

THIS DRAWING IS A CONTROLLED DOCUMENT FOR AMP INCORPORATED. IT IS SUBJECT TO CHANGE AND THE CONTROLLING ENGINEERING ORGANIZATION SHOULD BE CONTACTED FOR THE LATEST REVISION.

DIMENSIONS: MM 3rd ANGLE PROJECTION		TOLERANCES UNLESS OTHERWISE SPECIFIED: 0 <XX<10 ± 0.2 10 <XX<30 ± 0.25 30 <XX ± 0.3 ANGLES ± 3°		DWN CHK APVD PRODUCT SPEC APPLICATION SPEC WEIGHT		<b>AMP</b> AMP KOREA. kyungsan, korea NAME .070 MLC 6P PLUG HSG(DOUBLE LOCK)	
MATERIAL P.B.T		FINISH		SIZE A3		CAGE CODE 00779	
				DRAWING NO 368539		SCALE 2/1 SHEET 1 OF 1 REV 0	