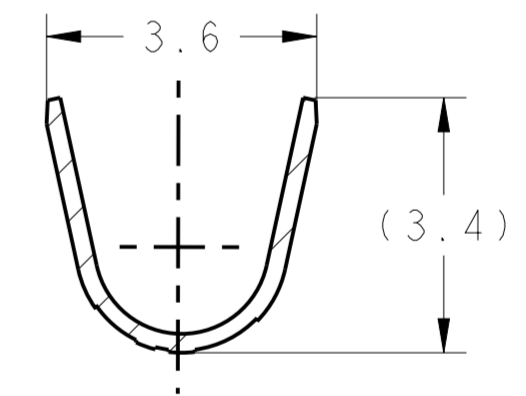
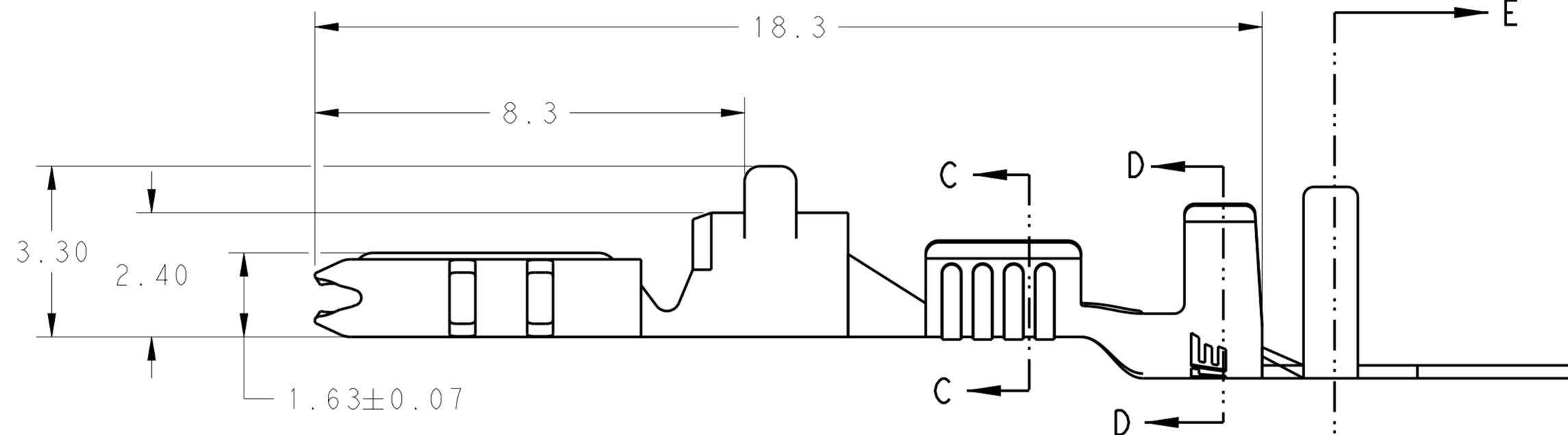
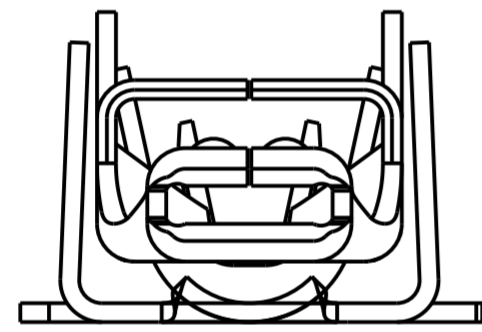
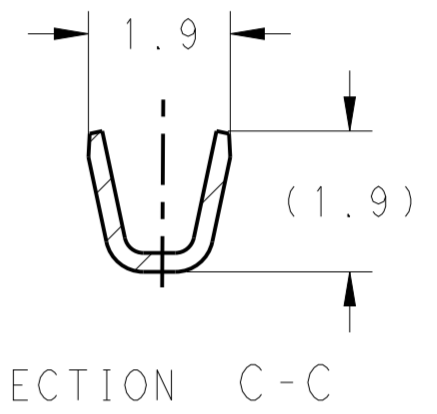
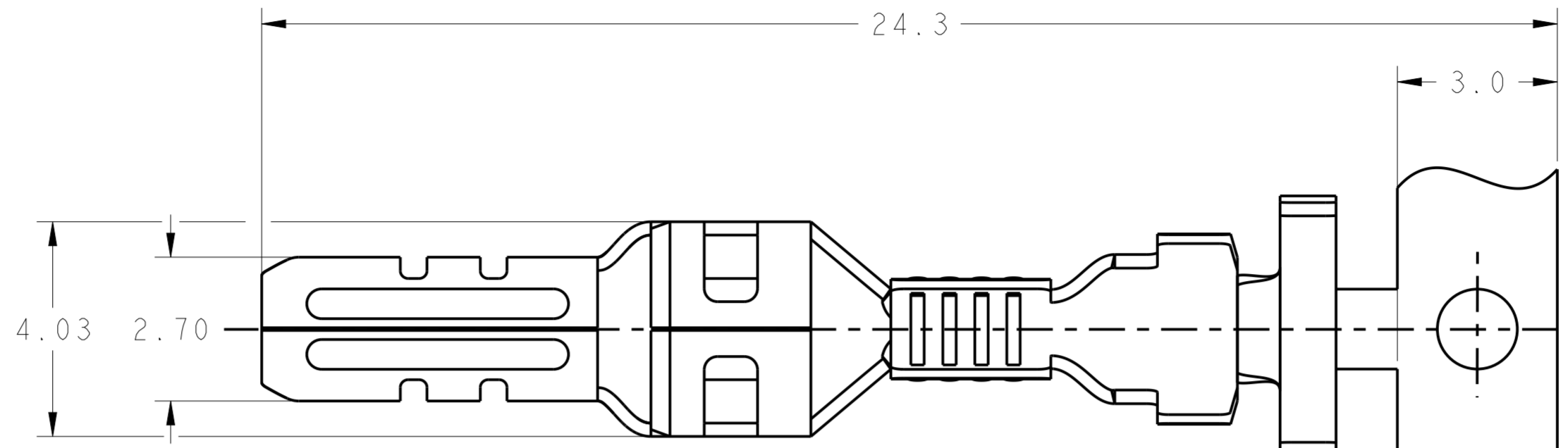
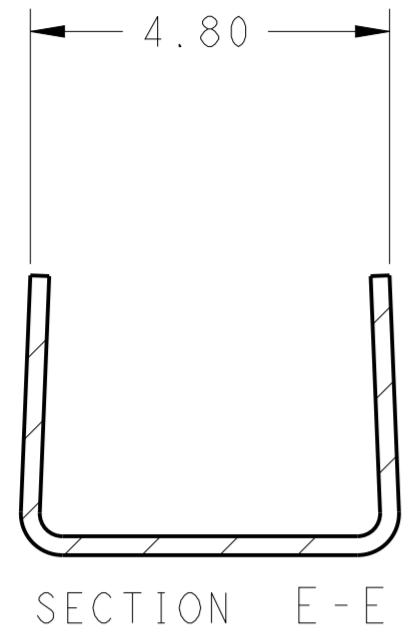


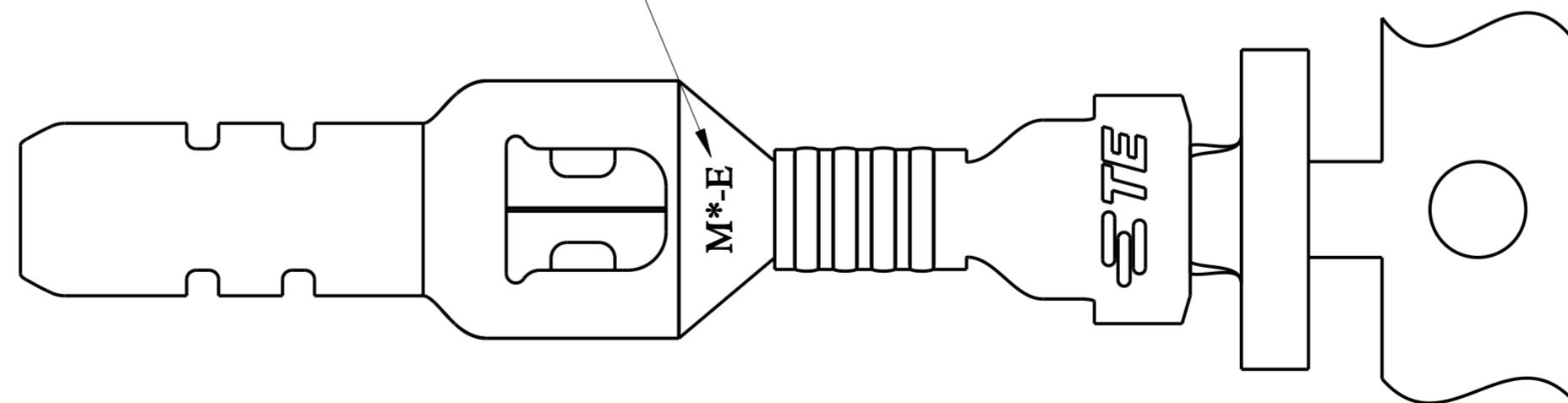
THIS DRAWING IS UNPUBLISHED. RELEASED FOR PUBLICATION 20
 © COPYRIGHT 20 BY - ALL RIGHTS RESERVED.

LOC ES DIST 00

REVISIONS				
P	LTR	DESCRIPTION	DATE	DWN APVD
D1		REVISED PER ECR-116-016321	14NOV2016	RS GJ
E		REVISED PER ECO-17-018674	05APR2018	BKW GJ
E1		REVISED PER ECR-18-015112	01OCT2018	BDA GJ
E2		REVISED PER ECR-20-100297	10AUG2020	PJ VS



MATERIAL/SIZE MARK \triangle 4



- RECOMMENDED WIRE RANGE: 20~24 AWG COPPER STRANDED (375 - 1200 CMA)
- RECOMMENDED INSULATION DIAMETER: 1.43-2.70mm. INSULATION DIAMETER <1.76mm REQUIRES AN APPLICATOR WITH AN OVERLAP INSULATION CRIMPER.
- APPLICABLE MATED CAP HOUSING P/N:

-1971772-/*-1971775-*/*-1971875-*/
 -2232263-/*-2232264-*/*-2232357-*

\triangle WIRE SIZE INDICATOR "E" = 20-24 AWG

5. THIS PRODUCT HAS NOT COMPLETED VALIDATION TESTING.

COPPER ALLOY	HIGH(150°C)	M0-E	1971786-2
BRASS	STANDARD(105°C)	M8-E	1971786-1
MATERIAL	TEMP. RATING	MATERIAL/SIZE MARK \triangle 4	PART NO

THIS DRAWING IS A CONTROLLED DOCUMENT.

DIMENSIONS: mm	TOLERANCES UNLESS OTHERWISE SPECIFIED:	DWN TOMMY WU 11JUL2011	TE Connectivity
	0 PLC ±	CHK HAPYE WU 11JUL2011	
	1 PLC ±0.5	APVD YUHONG MAO 11JUL2011	
MATERIAL	PRE-TIN	PRODUCT SPEC 108-106118	NAME
SEE TABLE		APPLICATION SPEC 114-106118	TAB CONTACT POWER TRIPLE LOCK
		WEIGHT	SIZE CAGE CODE DRAWING NO RESTRICTED TO
		Customer Drawing	A200779 C-1971786
		SCALE 5:1	SHEET 1 OF 1 REV E2