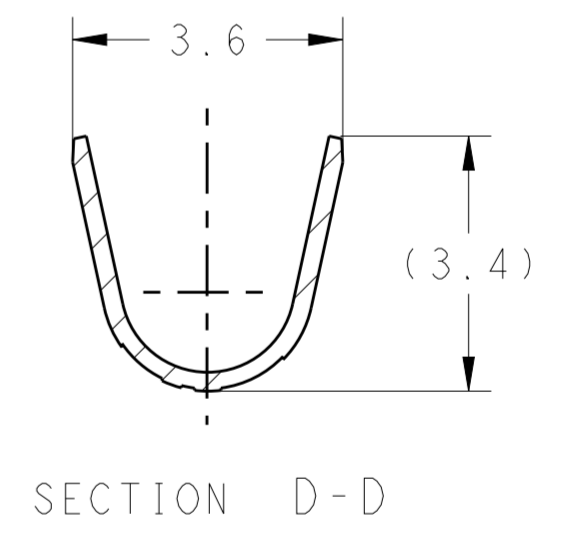
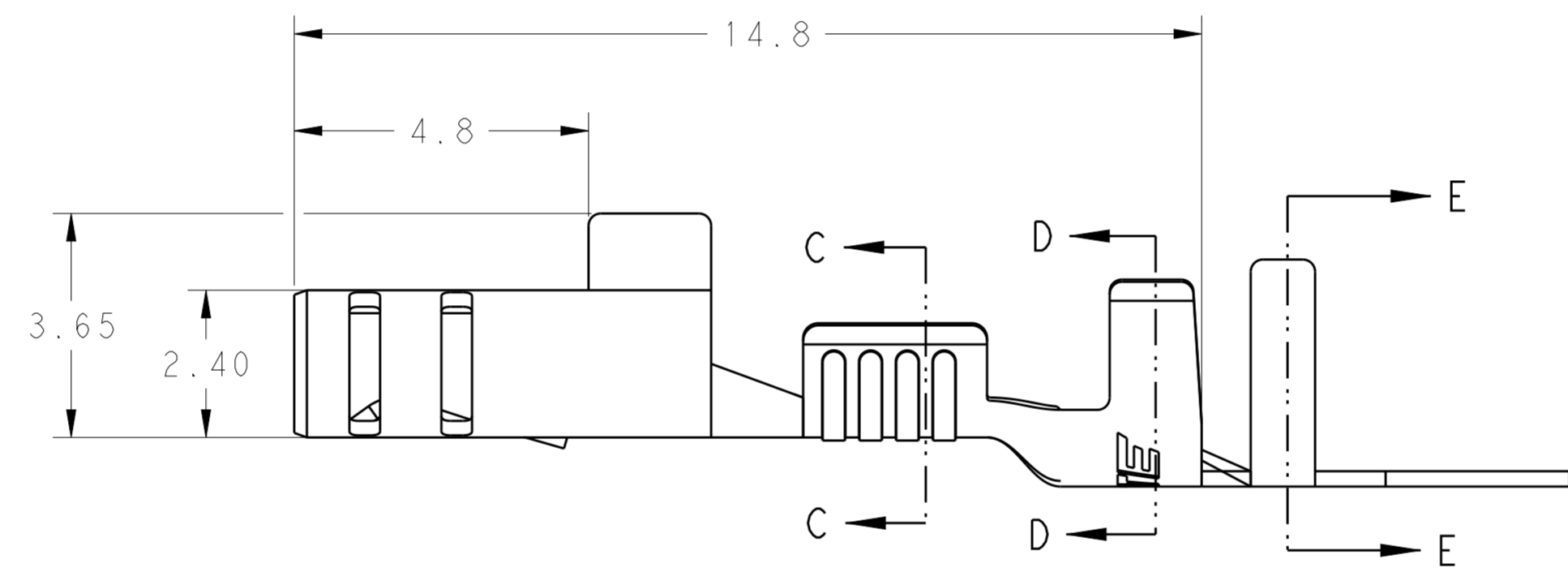
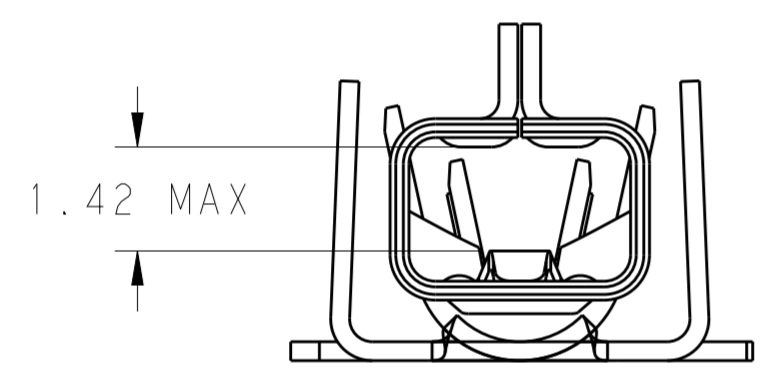
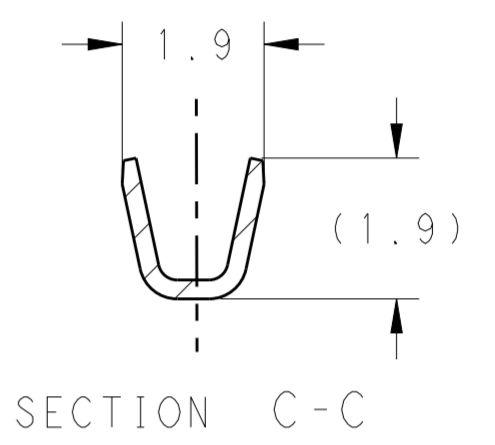
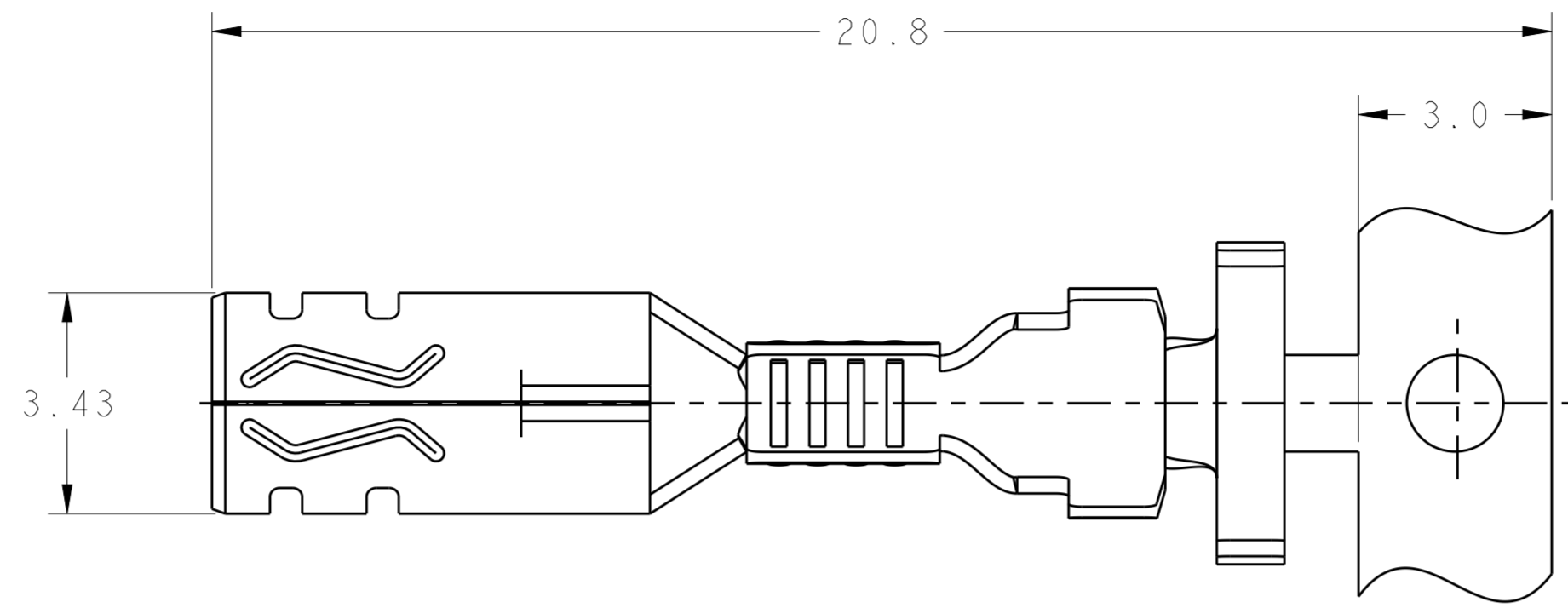
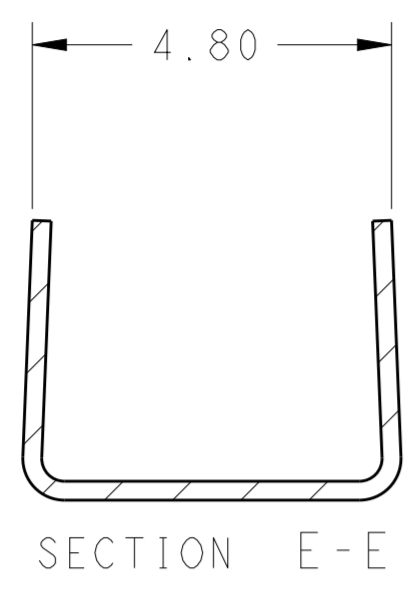
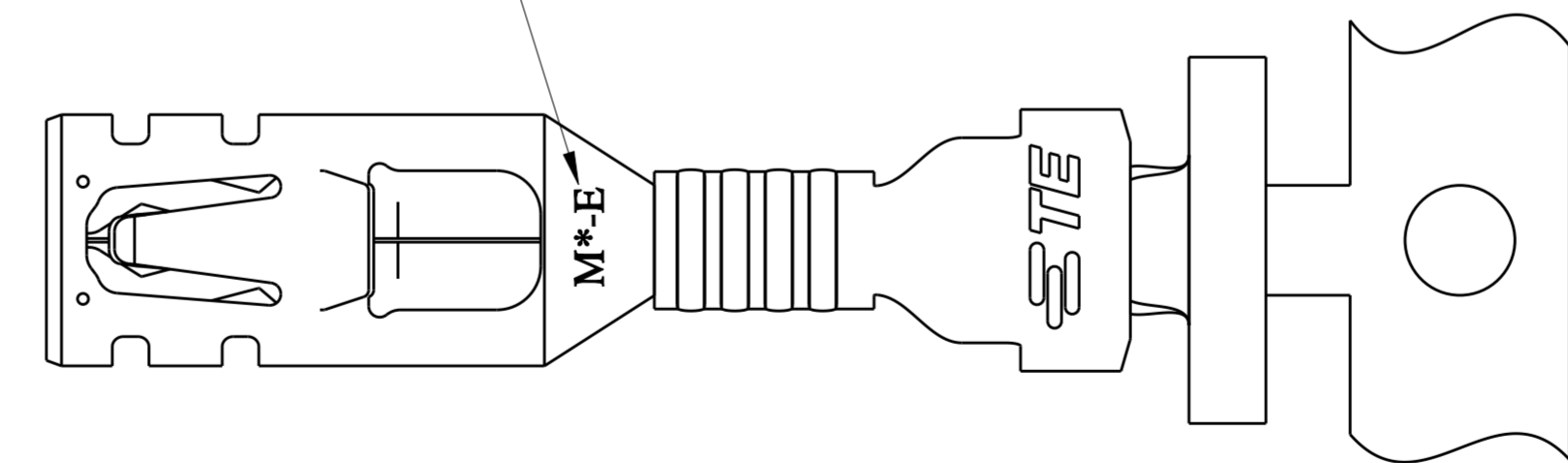


THIS DRAWING IS UNPUBLISHED. RELEASED FOR PUBLICATION 20  
 © COPYRIGHT 20 BY - ALL RIGHTS RESERVED.

| REVISIONS |     |                           |           |       |
|-----------|-----|---------------------------|-----------|-------|
| P         | LTR | DESCRIPTION               | DATE      | APVD  |
| E1        |     | REVISED PER ECO-18-018731 | 30NOV2018 | RS GJ |
| E2        |     | REVISED PER ECO-20-100297 | 10AUG2020 | PJ VS |



4 MATERIAL/SIZE MARK



- RECOMMENDED WIRE RANGE: 20-24 AWG COPPER STRANDED(375-1200 CMA)
- RECOMMENDED INSULATION DIAMETER: 1.43-2.70mm. INSULATION < 1.76mm REQUIRES AN APPLICATOR WITH AN OVERLAP INSULATION CRIMPER.
- APPLICABLE MATED PLUG HOUSING P/N:  
 \*-1971773-\*/\*-1971776-\*/\*-1971876-\*/  
 \*-2232265-\*/\*-2232266-\*/\*-2232357-\*

4 WIRE SIZE INDICATOR "E"=20-24 AWG

5 THIS PRODUCT HAS NOT COMPLETED VALIDATION TESTING.

|              |                 |                      |           |
|--------------|-----------------|----------------------|-----------|
| COPPER ALLOY | HIGH(150°C)     | M0-E                 | 1971785-2 |
| PHOS BRONZE  | STANDARD(105°C) | M1-E                 | 1971785-1 |
| MATERIAL     | TEMP. RATING    | 4 MATERIAL/SIZE MARK | PART NO   |

THIS DRAWING IS A CONTROLLED DOCUMENT.

|                    |  |                             |   |
|--------------------|--|-----------------------------|---|
| DIMENSIONS: mm     | TOLERANCES UNLESS OTHERWISE SPECIFIED: | DWN TOMMY WU 11JUL2012      | TE Connectivity<br>RECEPTACLE CONTACT POWER TRIPLE LOCK |
|                    | 0 PLC ±                                | CHK HAPYE WU 11JUL2012      |   |
|                    | 1 PLC ±0.5                             | APVD YUHONG MAO 11JUL2012   |   |
|                    | 2 PLC ±0.30                            | PRODUCT SPEC 108-106118     |   |
|                    | 3 PLC ±                                | APPLICATION SPEC 114-106118 | SIZE CAGE CODE DRAWING NO RESTRICTED TO                 |
|                    | 4 PLC ±                                | WEIGHT -                    | A2100779C-1971785                                       |
| MATERIAL SEE TABLE | FINISH PRE-TIN                         | Customer Drawing            | SCALE 6:1 SHEET 1 OF 1 REV E2                           |