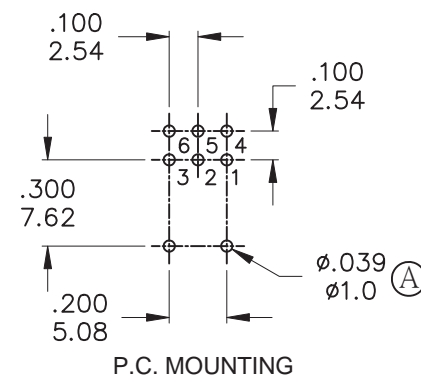


Model No.	POS.1	POS.2	POS.3
2TED3	ON	OFF	ON
Term. Comm.	2-3,5-6	OPEN	2-1,5-4
SCHEMATIC			

SWITCH FUNCTION



SPECIFICATIONS

CONTACT RATING: Max 0.4 VA max @ 48 VAC or DC
MECHANICAL LIFE: Minimum 40,000 operations.
CONTACT RESISTANCE: 50mΩ max.
INSULATION RESISTANCE: 1,000MΩ min.
DIELECTRIC STRENGTH: 500 Vrms min. @sea level.
OPERATING TEMPERATURE: -20°C to 85°C.
DEGREE OF PROTECTION : IP67

MATERIALS

ACTUATOR - Brass,chrome platede, internal O-ring seal
 Standard for all actuators.
BUSHING & HOUSING - SPCC
② CASE - Glass filled nylon 6/6 , flame retardant , heat stadilized(UL94V-0) .
SWITCH SUPPORT - Brass,tin plated.
CONTACT/TERMINALS - Phosphor bronze gold - plated over nickel barrier.
TERMINAL SEAL - Epoxy
RoHS & Lead Free

德利威電子股份有限公司
DAILYWELL ELECTRONICS CO.,LTD.

符號	原尺寸	修改後尺寸	變更日期
1 ①	1.09(.043)	1.0(.039)	AUG-03-2010
2 ②	CASE材質原PBT修正為Glass filled nylon 6/6		AUG-15-2017
3 ③			
4 ④			
5 ⑤			

SCALE (比例) : 3 : 2		TITLE 圖名	Subminiature Toggle Switches		SIZE 圖紙	A4
TOLERANCE (公差) : 0.00 mm ± 0.25mm		DWG NO. 圖號	2TED3M6RES		UNIT 單位	inch mm
0.0 mm ± 0.40mm		REV. 版本	C	DATE 日期	NOV - 06 - 2009	SHEET 張數
ANGULAR : ± 5°		CHECKED BY 審核			DRAWN BY 製圖	IRENE
FILE NAME : 2TEDP0004						1 OF 1