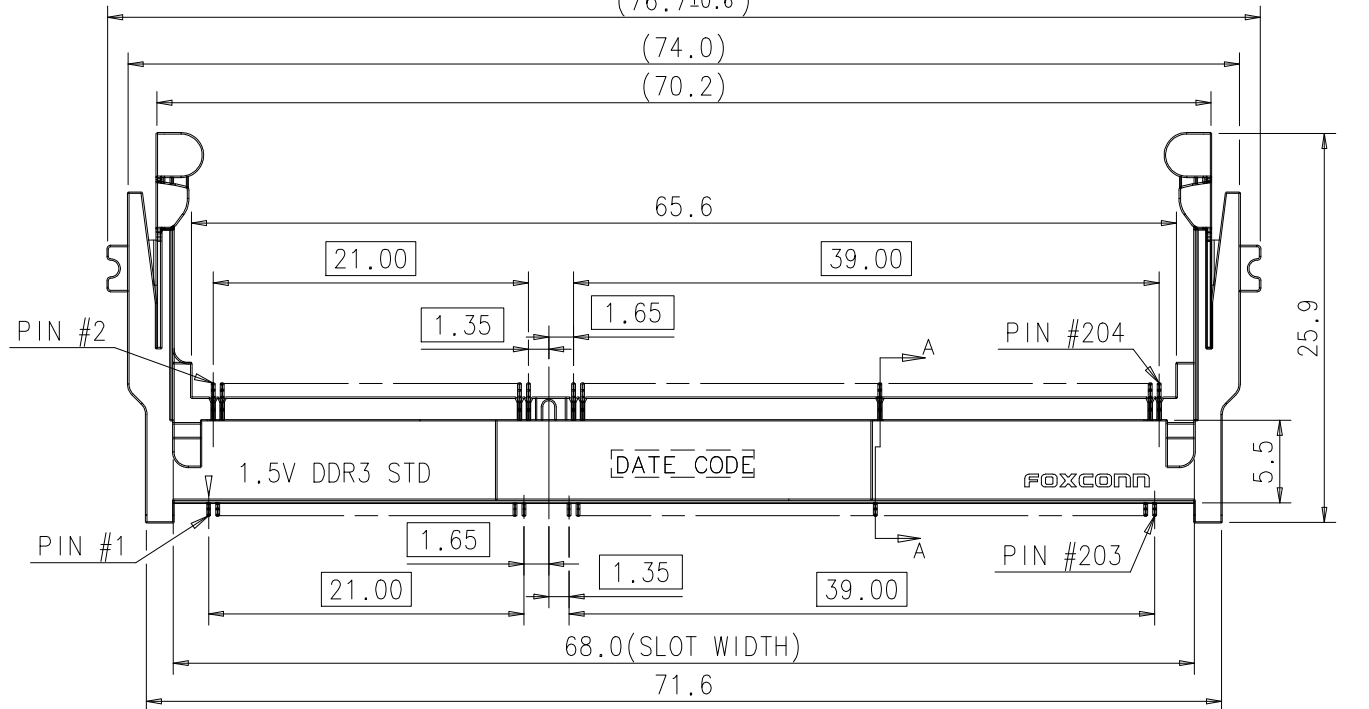
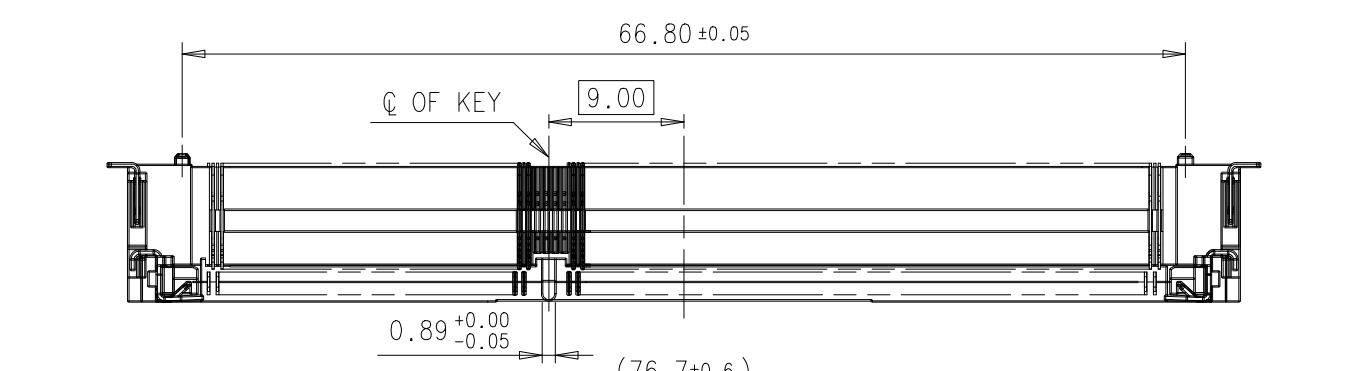
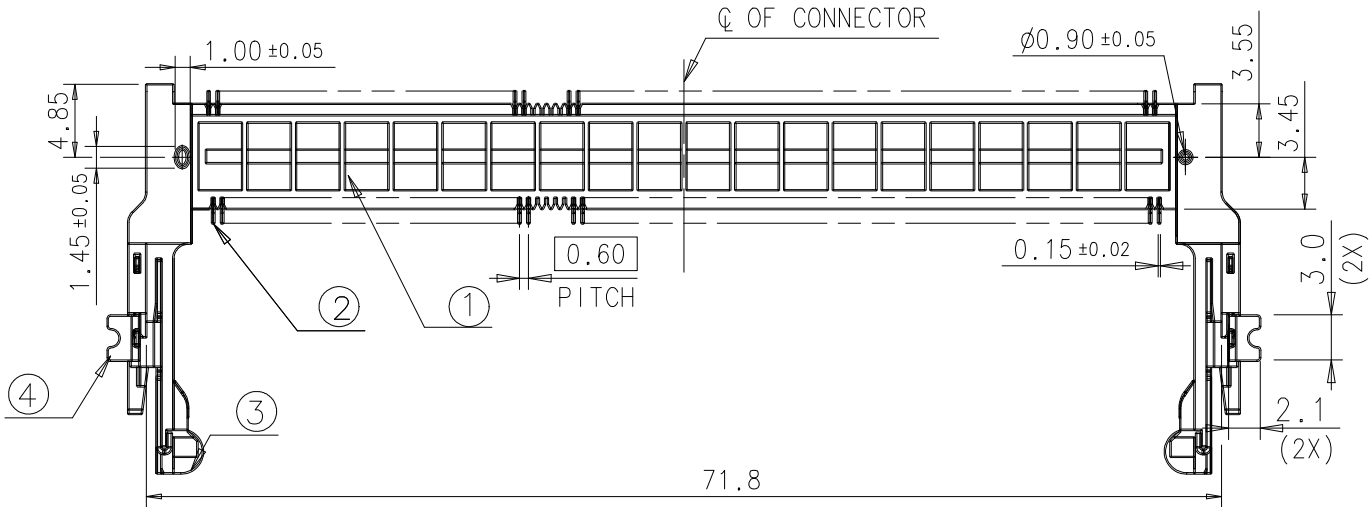


IDEAS GENERATED DRAWING, DO NOT CHANGE BY HAND.

E	BC-13-0001319	C.S Li	REV.	ECN. NO.	APPD.
F	BC-13-0087023	C.S Li	A	BC-10-0052206	Herry Yang
G	BC-15-0001270	C.S Li	B	BC-10-0075105	Herry Yang
			C	BC-11-0028404	Herry Yang
			D	BC-11-0119660	Herry Yang

- NOTES:
- ELECTRICAL CHARACTERISTICS:
 - CONTACT CURRENT RATING: 0.5 AMPERE MAX. PER PIN.
(PER PIN) DOESN'T EXCEED 30°C ABOVE AMBIENT AT 0.5 AMPERE MAX. PER PIN.
 - VOLTAGE RATING: 25V AC.
 - INSULATION RESISTANCE: 100 MEGAOHMS MIN. AT 500V DC.
 - DIELECTRIC WITHSTANDING VOLTAGE: 250V AC RMS AT 60Hz, FOR 1 MINUTE.
 - CONTACT RESISTANCE: 50 MILLIOHMS MAX. PER PIN INITIAL.
60 MILLIOHMS MAX. PER PIN AFTER FULL ENVIRONMENTAL TESTING.
 - MECHANICAL CHARACTERISTICS: DURABILITY: 60 MATING CYCLES.
 - OPERATION TEMPERATURE: -55°C TO +85°C.
 - RECOMMENDED PROCESS CONDITION: SMT, PEAK TEMPERATURE: 260°C, 10~20S.
 - PLEASE CONTACT FOXCONN SALES REPRESENTATIVE TO VERIFY PRODUCT DETAIL & AVAILABILITY.

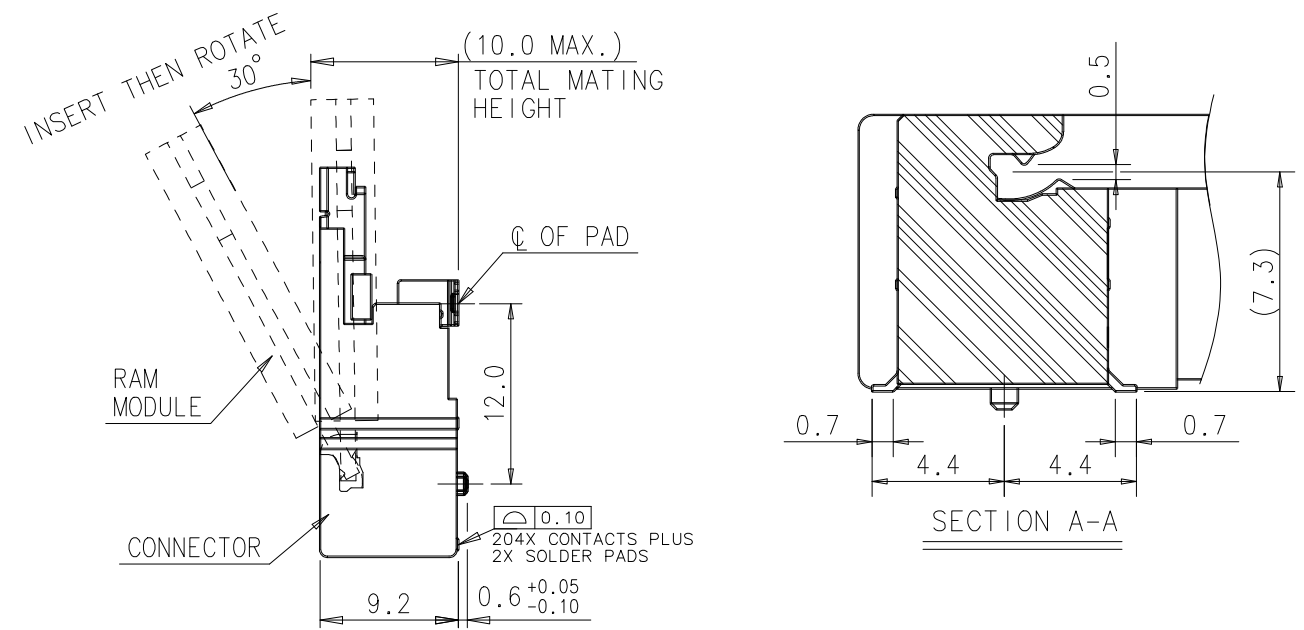


PART NO. DESCRIPTION: A S O A6 2 * - H A S N - * H

MEMORY MODULE SOCKET
HORIZONTAL TYPE
SINGLE ROW
NO. OF POS.
A6 = 204 POS.
SMT

CONTACT AREA PLATING
1=GOLD FLASH
Y=5u" GOLD PLATING
6=10u" GOLD PLATING
7=15u" GOLD PLATING
3=30u" GOLD PLATING

H=HALOGEN/LEAD FREE
4=SOFT TRAY
7=TAPE REEL
N=GENERAL TYPE
S=STANDARD
A=9.2mm HEIGHT
DDR CONNECTOR

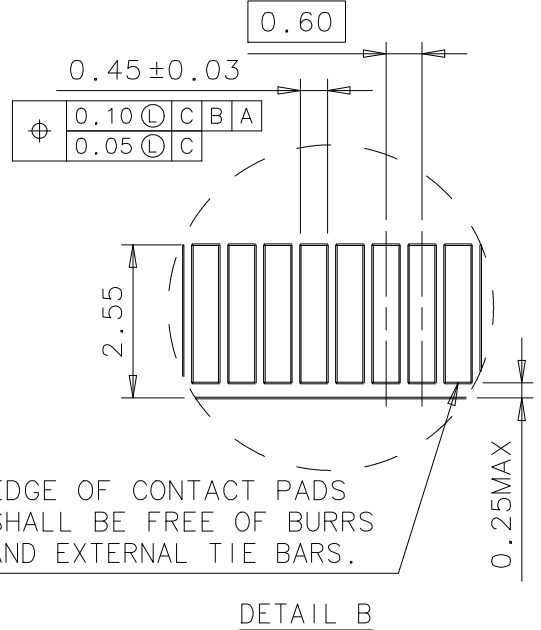
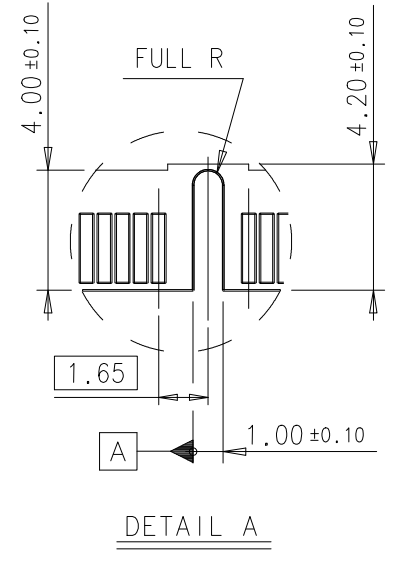
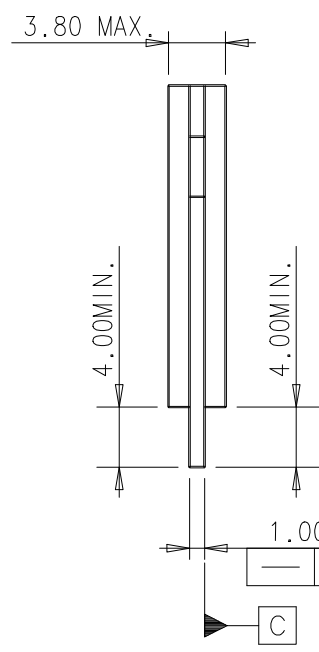
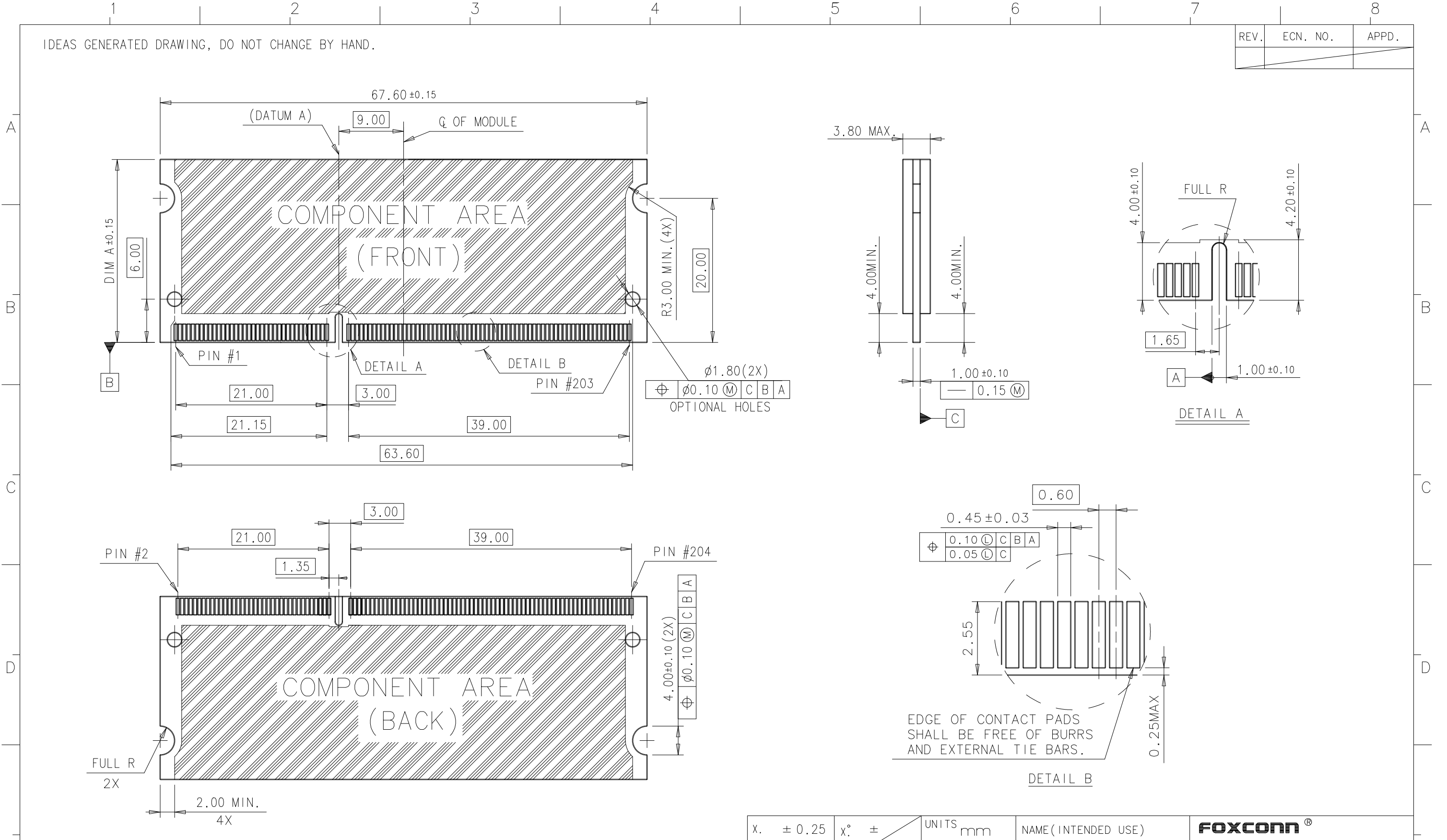


ITEM	DESCRIPTION	Q'TY	MATERIAL	TREATMENT
④	METAL PAD	2	COPPER ALLOY	50u" NICKEL UNDER PLATING OVER ALL 2u" Pd PLATING OVER SOLDER AREA
③	METAL SPRING	2	COPPER ALLOY	50u" NICKEL PLATING OVER ALL
②	CONTACT	204	COPPER ALLOY	50u" NICKEL UNDER PLATING GOLD FLASH AT TAIL GOLD FLASH OR 5u" OR 10u" OR 15u" OR 30u" GOLD PLATING AT CONTACT AREA
①	HOUSING	1	THERMOPLASTIC	UL94V-0, HALOGEN-FREE, IVORY COLOR

X. ± 0.30	X° ±	UNITS mm	NAME (INTENDED USE)	FOXCONN® FOXCONN INTERCONNECT TECHNOLOGY LIMITED	
.X ± 0.25	.X° ±	MAT'L	DDR III SO DIMM CONNECTOR		
.XX ± 0.15	.XX° ±		PART NO. (INTENDED USE)	CLASS: <input type="checkbox"/> CONFIDENTIAL <input type="checkbox"/> SECRET <input checked="" type="checkbox"/> GENERAL	
.XXX ±	.XXX° ±	FINISH	ASOA62*-HASN-*H	TITLE: CUSTOMER DRAWING	
THESE DRAWINGS AND SPECIFICATIONS ARE THE PROPERTY OF FOXCONN INTERCONNECT TECHNOLOGY LIMITED, AND SHALL NOT BE REPRODUCED, COPIED OR USED IN ANY MANNER WITHOUT THE PRIOR WRITTEN CONSENT OF FOXCONN INTERCONNECT TECHNOLOGY LIMITED.			APPD: C.S Li	DWG NO.:	
			CHKD: ZH Wang	317-0000-1906	
DR: Wang Justin 1/7'15			SCALE	SHEET	REV.
			N/A	1/5	G

IDEAS GENERATED DRAWING, DO NOT CHANGE BY HAND.

REV.	ECN. NO.	APPD.



SDRAM VARIATIONS	DIM A
TYPE 1	25.40
TYPE 2	31.75
TYPE 3	30.00

DDR III SO-DIMM MODULE BOARD LAYOUT

X. ± 0.25	X° ±	UNITS mm
.X ± 0.10	.X° ±	MAT'L
.XX ± 0.05	.XX° ±	FINISH
.XXX ±	.XXX° ±	Q'TY

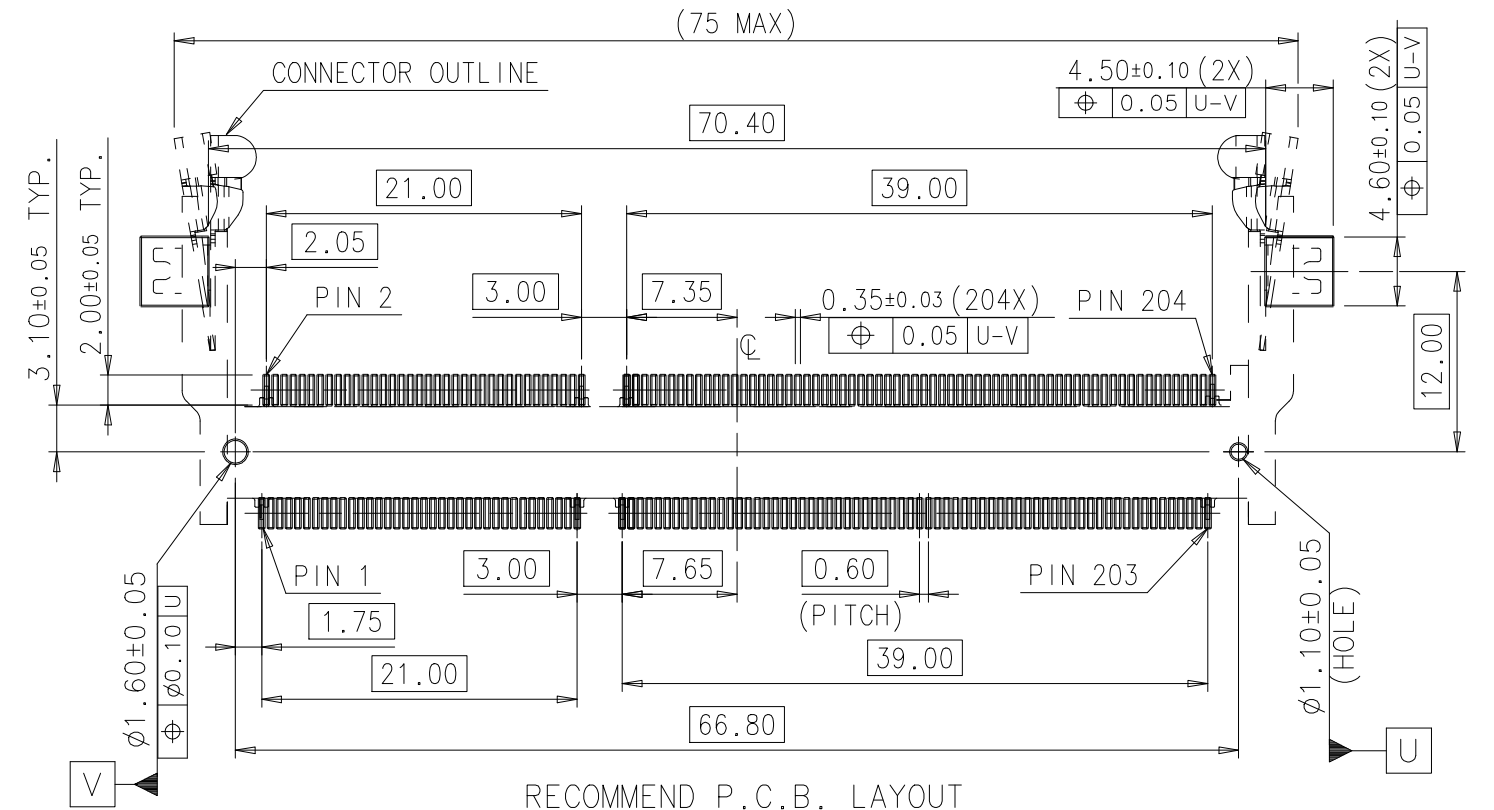
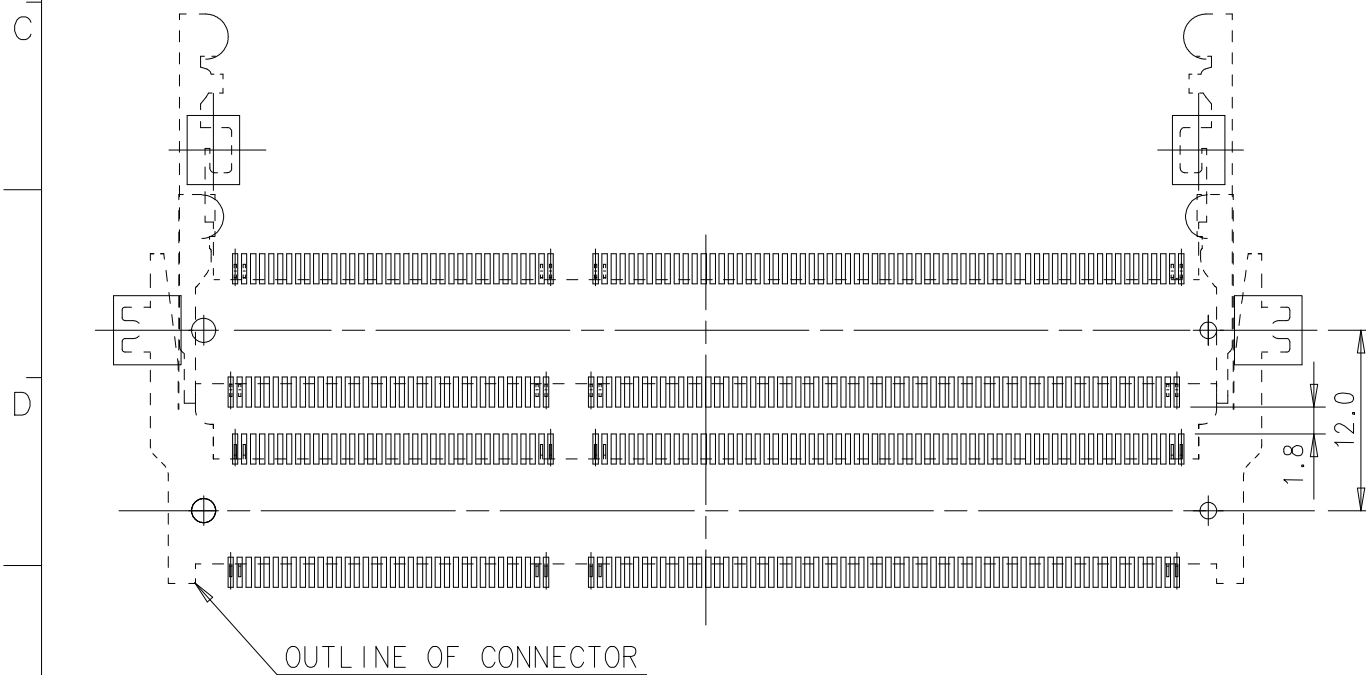
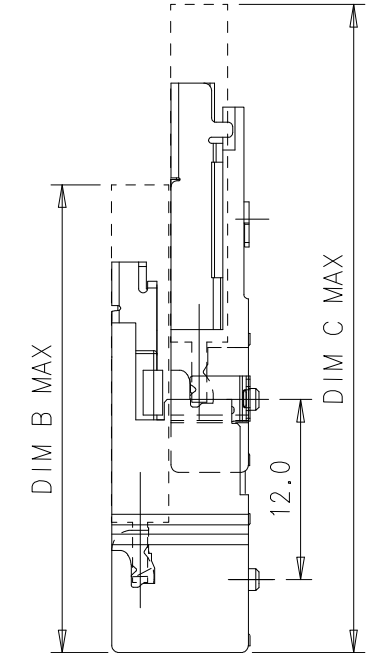
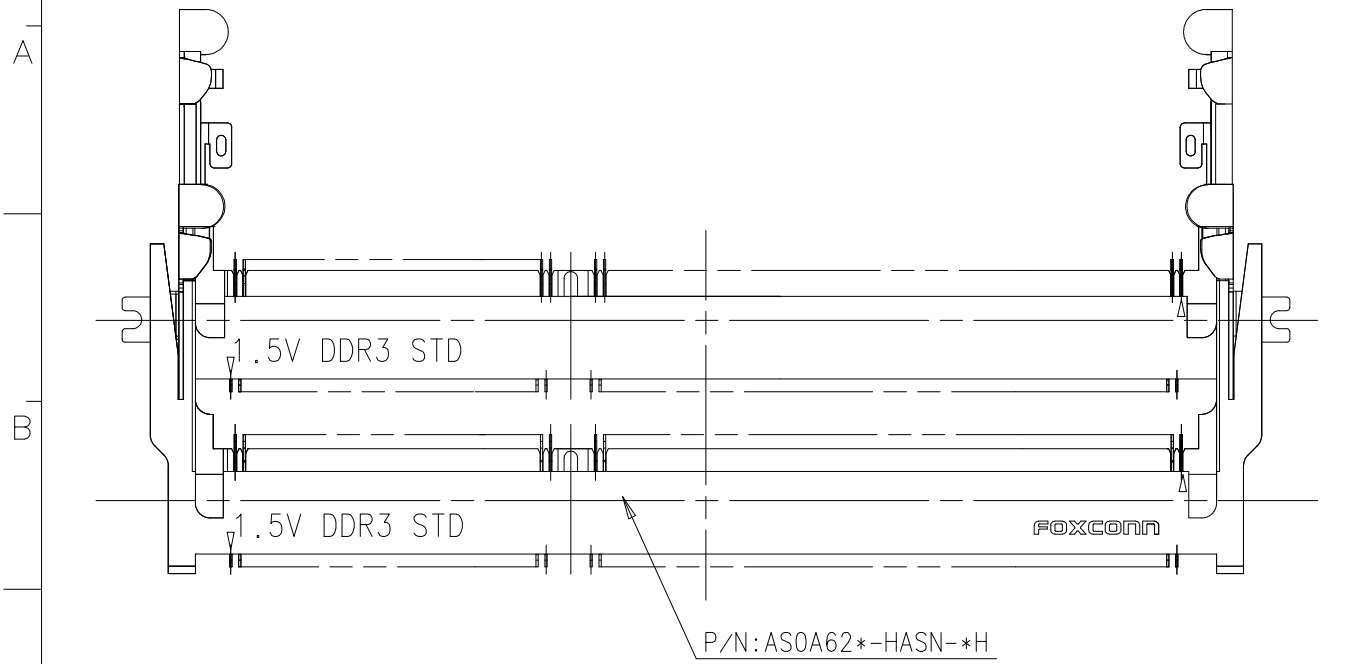
NAME (INTENDED USE)	DDR III SO DIMM CONNECTOR
PART NO. (INTENDED USE)	ASOA62*-HASN-*H
APPD:	C.S Li
CHKD:	ZH Wang
DR:	Wang Justin 1/7'15

FOXCONN®		
FOXCONN INTERCONNECT TECHNOLOGY LIMITED		
CLASS: <input type="checkbox"/> CONFIDENTIAL <input type="checkbox"/> SECRET <input checked="" type="checkbox"/> GENERAL		
TITLE: CUSTOMER DRAWING		
DWG NO.: 317-0000-1906		
SCALE	SHEET	REV.
N/A	2/5	G

THESE DRAWINGS AND SPECIFICATIONS ARE THE PROPERTY OF FOXCONN INTERCONNECT TECHNOLOGY LIMITED, AND SHALL NOT BE REPRODUCED, COPIED OR USED IN ANY MANNER WITHOUT THE PRIOR WRITTEN CONSENT OF FOXCONN INTERCONNECT TECHNOLOGY LIMITED.

IDEAS GENERATED DRAWING, DO NOT CHANGE BY HAND.

REV.	ECN. NO.	APPD.



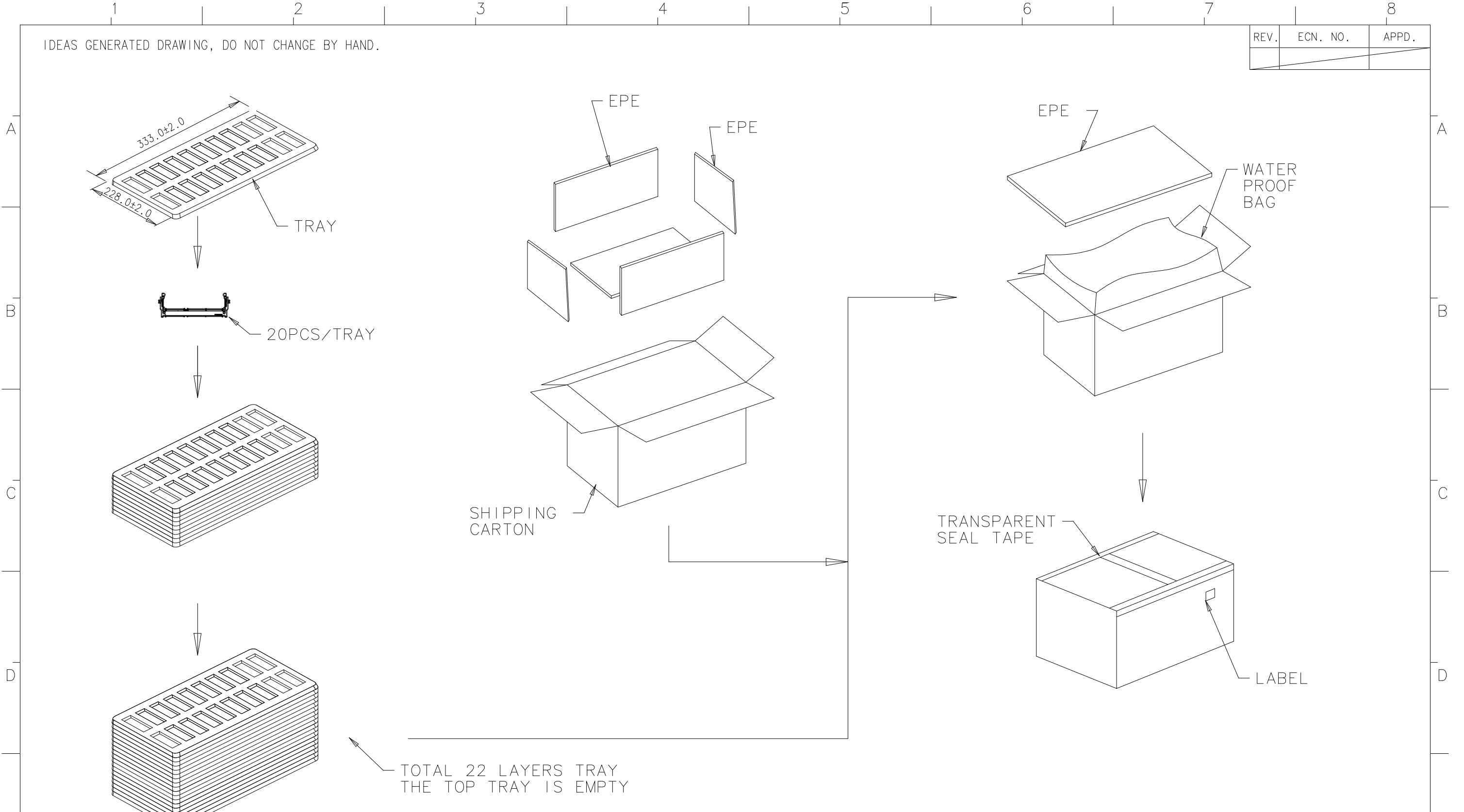
P.C.B. LAYOUT (STACKED ORIENTATION)

SDRAM VARIATIONS	DIM B	DIM C
TYPE 1	30.4	42.4
TYPE 2	36.7	48.7
TYPE 3	35.0	47.0

X. ± 0.25	X° ±	UNITS mm	NAME (INTENDED USE)	FOXCONN® FOXCONN INTERCONNECT TECHNOLOGY LIMITED
.X ± 0.10	.X° ±		DDR III SO DIMM CONNECTOR	
.XX ± 0.05	.XX° ±	MAT'L	PART NO. (INTENDED USE)	CLASS: <input type="checkbox"/> CONFIDENTIAL <input type="checkbox"/> SECRET <input checked="" type="checkbox"/> GENERAL
.XXX ±	.XXX° ±		AS0A62*-HASN-*H	TITLE: CUSTOMER DRAWING
THESE DRAWINGS AND SPECIFICATIONS ARE THE PROPERTY OF FOXCONN INTERCONNECT TECHNOLOGY LIMITED, AND SHALL NOT BE REPRODUCED, COPIED OR USED IN ANY MANNER WITHOUT THE PRIOR WRITTEN CONSENT OF FOXCONN INTERCONNECT TECHNOLOGY LIMITED.			APPD: C.S Li	DWG NO.:
			CHKD: ZH Wang	317-0000-1906
Q'TY			DR: Wang Justin 1/7'15	SCALE SHEET REV. N/A 3/5 G

IDEAS GENERATED DRAWING, DO NOT CHANGE BY HAND.

REV.	ECN. NO.	APPD.

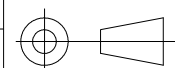


TOTAL 22 LAYERS TRAY
THE TOP TRAY IS EMPTY

NOTES:
1. PACKING CAPACITY : 20 PCS/TRAY, 21 TRAYS/BOX,
TOTAL 420 PCS/BOX.

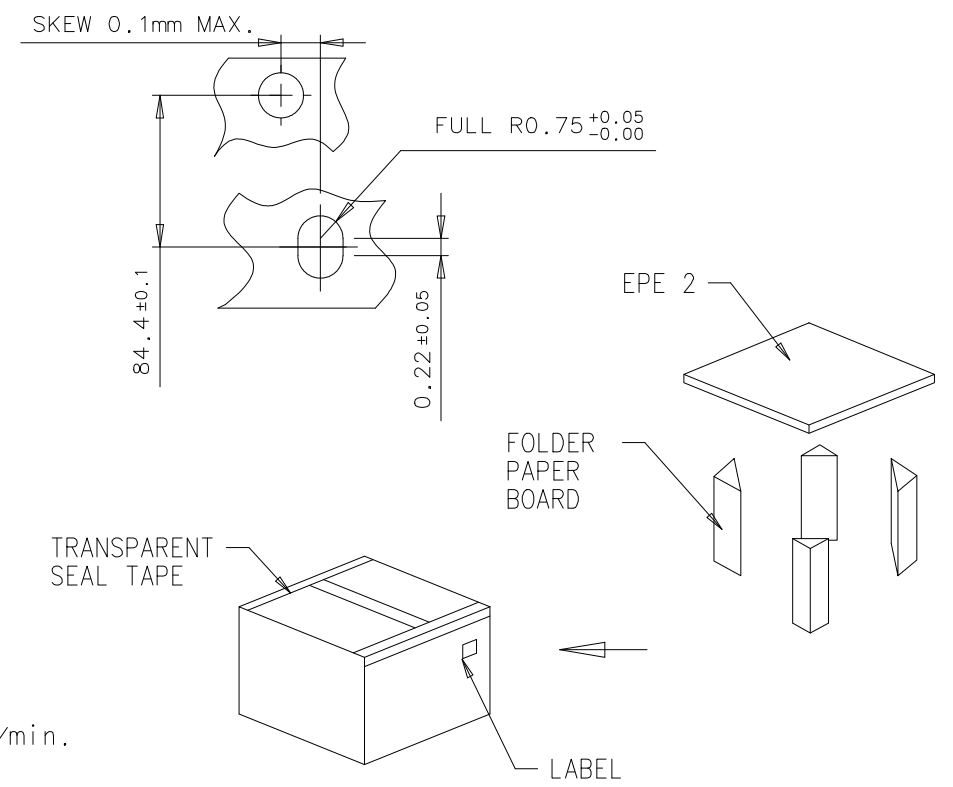
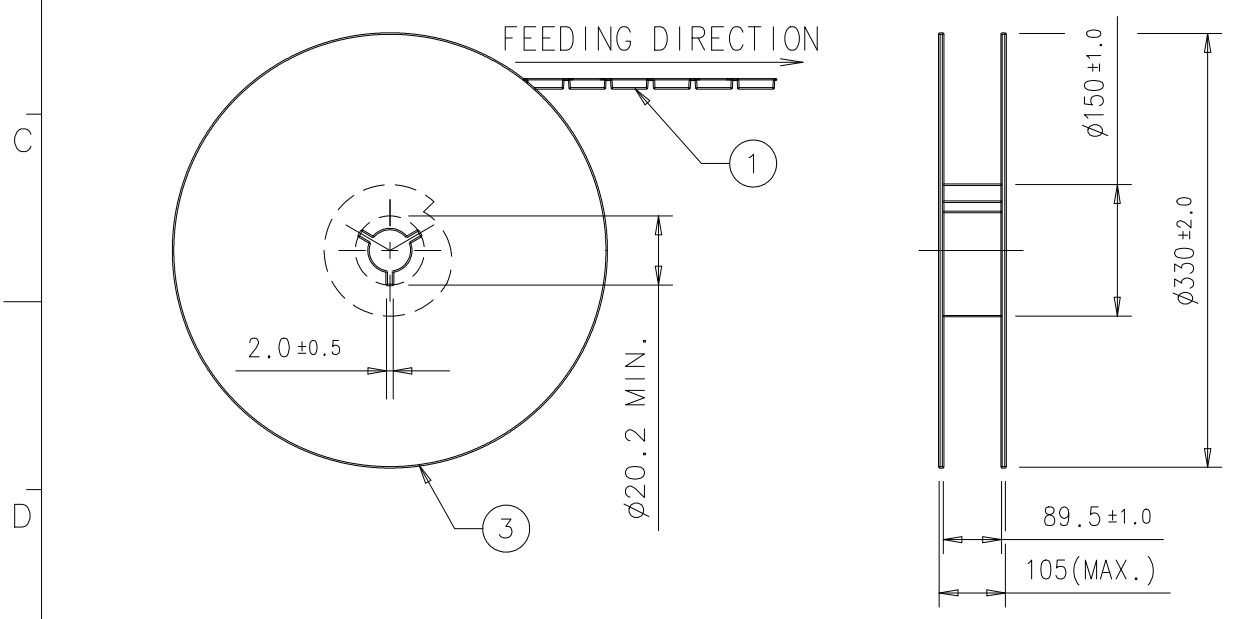
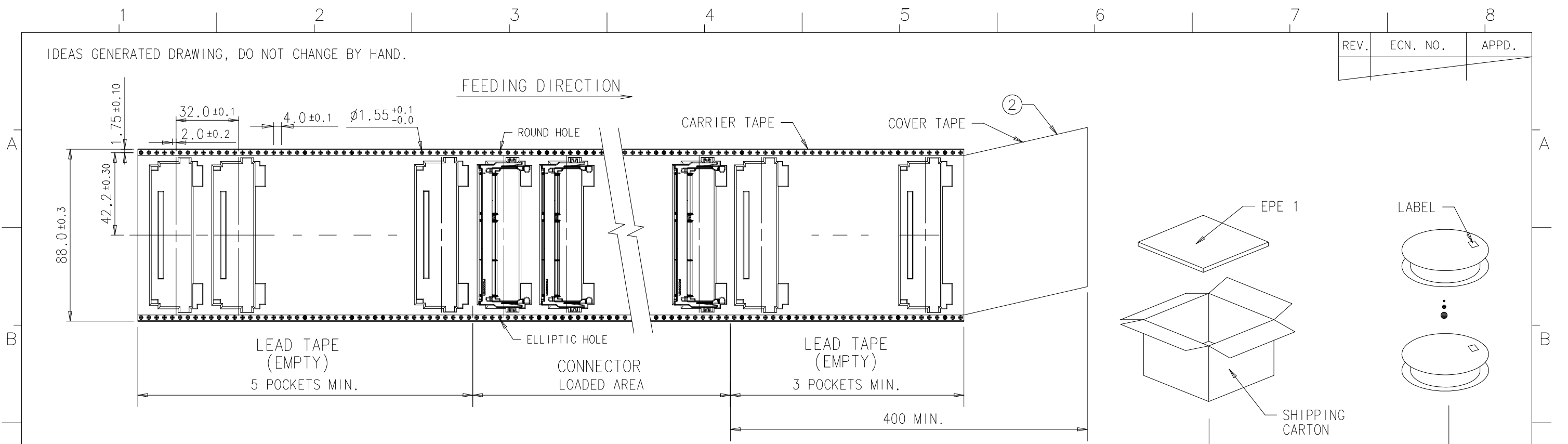
CONNECTOR P/N AS0A62*-HASN-4H

X. ± 1.5	X° ±	UNITS mm	NAME (INTENDED USE)	FOXCONN [®] FOXCONN INTERCONNECT TECHNOLOGY LIMITED
.X ± 1.0	.X° ±	MAT'L	DDR III SO DIMM CONNECTOR	
.XX ± 0.2	.XX° ±	FINISH	PART NO. (INTENDED USE)	CLASS: <input type="checkbox"/> CONFIDENTIAL <input type="checkbox"/> SECRET <input checked="" type="checkbox"/> GENERAL
.XXX ±	.XXX° ±		AS0A62*-HASN-*H	TITLE: CUSTOMER DRAWING
THESE DRAWINGS AND SPECIFICATIONS ARE THE PROPERTY OF FOXCONN INTERCONNECT TECHNOLOGY LIMITED, AND SHALL NOT BE REPRODUCED, COPIED OR USED IN ANY MANNER WITHOUT THE PRIOR WRITTEN CONSENT OF FOXCONN INTERCONNECT TECHNOLOGY LIMITED.			APPD: C.S Li	DWG NO.:
			CHKD: ZH Wang	317-0000-1906
			DR: Wang Justin 1/7'15	SCALE SHEET REV. N/A 4/5 G



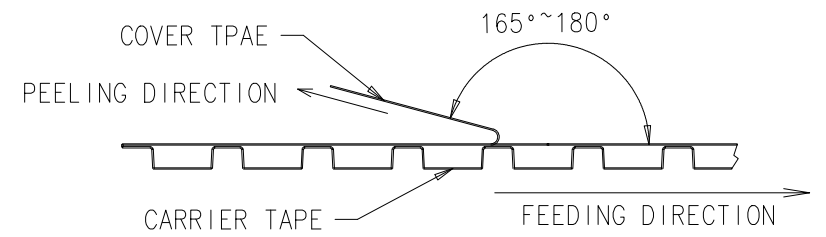
IDEAS GENERATED DRAWING, DO NOT CHANGE BY HAND.

REV.	ECN. NO.	APPD.



ITEM	DESCRIPTION	MATERIAL
③	REEL	POLYSTYRENE
②	COVER TAPE	POLYESTER
①	CARRIER TAPE	POLYSTYRENE

NOTES:
 1. 10 POCKETS HOLE PITCH CUMULATIVE TOLERANCE $\pm 0.20\text{mm}$.
 2. COVER TAPE PEELING STRENGTH : 0.01kgf MIN., 0.15 kgf MAX. AT 300mm/min.



3. PACKING CAPACITY : 110 PCS/REEL, 3 REELS/BOX, TOTAL 330 PCS/BOX.

CONNECTOR P/N ASOA62*-HASN-7H

X.	± 1.5	X°	\pm	UNITS	mm
.X	± 1.0	.X°	\pm	MAT'L	
.XX	± 0.2	.XX°	\pm	FINISH	
.XXX	\pm	.XXX°	\pm	Q'TY	

NAME (INTENDED USE)	DDR III SO DIMM CONNECTOR	FOXCONN® FOXCONN INTERCONNECT TECHNOLOGY LIMITED.
PART NO. (INTENDED USE)	ASOA62*-HASN-*H	
APPD:	C.S Li	CLASS: <input type="checkbox"/> CONFIDENTIAL <input type="checkbox"/> SECRET <input checked="" type="checkbox"/> GENERAL
CHKD:	ZH Wang	TITLE: CUSTOMER DRAWING
DR:	Wang Justin 1/7'15	DWG NO.: 317-0000-1906
		SCALE SHEET REV. N/A 5/5 G

THESE DRAWINGS AND SPECIFICATIONS ARE THE PROPERTY OF FOXCONN INTERCONNECT TECHNOLOGY LIMITED, AND SHALL NOT BE REPRODUCED, COPIED OR USED IN ANY MANNER WITHOUT THE PRIOR WRITTEN CONSENT OF FOXCONN INTERCONNECT TECHNOLOGY LIMITED.