

GT-TC163X-HXXX-LX

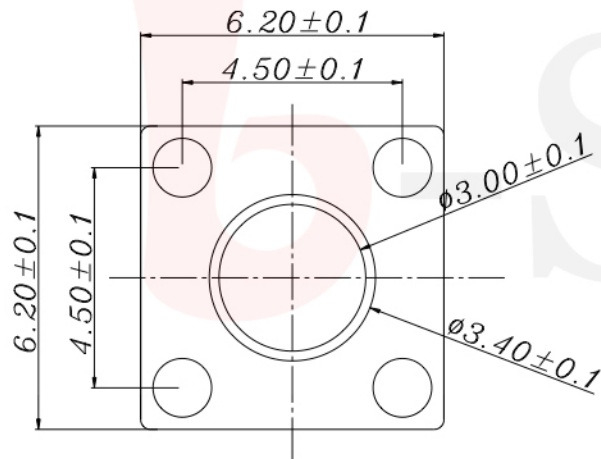
G-SWITCH

Operating Force

A=60gf
B=70gf
C=80gf

Switch Height (mm)
H035=3.5mm

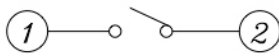
Switch lifetime (Force)
L10=1,000,000 Cycles
L50=5,000,000 Cycles



P.C.B LAND DIMENSION

G-Switch Specification:

Operating temperature range : -30°Cto+85°C
Rating : 50mA.12V DC
Insulation resistance : 100MΩ min.100V DC
Dielectric strength : 250V AC for 1 min
Contact resistance : 100m Ω max.
Travel:0.20±0.1mm



CIRCUIT DIAGRAM



G-Switch Electronic (HongKong) CO.,Ltd.

Unless otherwise specified, Tolerance:
X. ±0.30
X.x ±0.20
X.xx ±0.15
X.xxx ±0.10
Angles ±3°

DESIGN FengFengChen DATE 2019.05.29
CHECKED DATE
APPROVED DATE
<http://www.dg-switch.com>
TEL:0769-82388879

Molde code:
GT-TC163X-HXXX-LX
REV.: X1 SCALE: 4:1 UNIT: mm
SIZE: A4 SHEET: 1/1