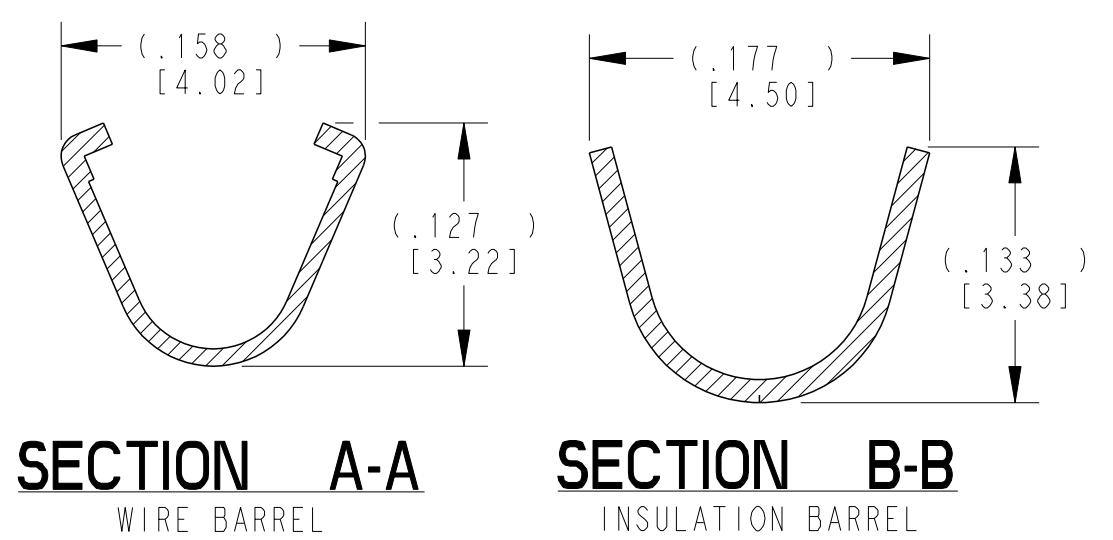
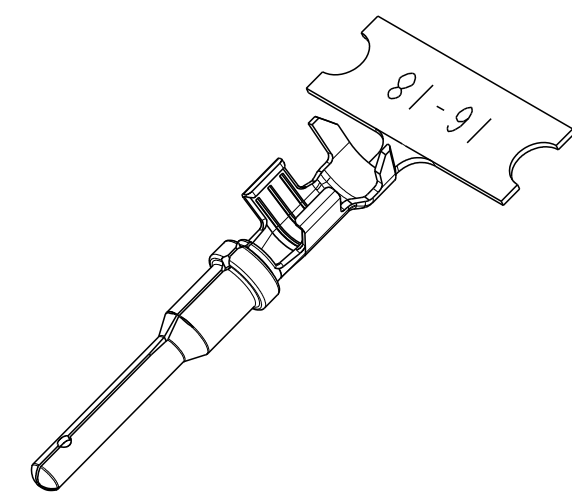


LOC	DIST	REVISIONS					
		P	LTR	DESCRIPTION	DATE	DWN	APVD
			J	REVISED PER ECO-15-007761	28MAY2015	RL	DM
			K	REVISED PER PCN E-20-008101	12JUN2020	DM	DM



- 5 TIN PLATING MAY BE IN THIS REGION.
  - 4 TIN PLATED REGION.
  - 3 MATERIAL: .012 [0.30] THICK COPPER ALLOY
  - 2. WIRE RANGE: 18 AWG TO 14 AWG [0.75-2.0 mm<sup>2</sup>]  
INSULATION RANGE:  $\varnothing .075 - .140$  [ $\varnothing 1.91 - 3.56$ ]
  - 1 GOLD PLATED REGION.
- NOTES: UNLESS OTHERWISE SPECIFIED

TE INTERNAL PN	DEUTSCH PN	PLATING
1060-16-0122	1060-16-0122	Ni/Cu overall, Sn/Ni/Cu Wire Barrel
1060-16-0144	1060-16-0144	Selective Au, Ni/Cu overall, Sn/Ni/Cu Wire Barrel
1060-16-0177	1060-16-0177	Sn/Ni/Cu overall

THIS DRAWING IS A CONTROLLED DOCUMENT.

DWN	M. BLUM	04NOV1999
CHK	A. ROLINSKI	08DEC2000
APVD	R. REED	08DEC2000
PRODUCT SPEC	108-151000	
APPLICATION SPEC	114-151000	
WEIGHT	0.33 g	

Customer Drawing

SCALE 6:1 SHEET 1 OF 1 REV K

TE Connectivity

STAMPED CONTACT  
PIN  
SIZE 16

SIZE A3 CAGE CODE 4AFU8 DRAWING NO C-1060-16-01XX RESTRICTED TO -