

4

3

2

1

THIS DRAWING IS UNPUBLISHED.

RELEASED FOR PUBLICATION

--

© COPYRIGHT - By -

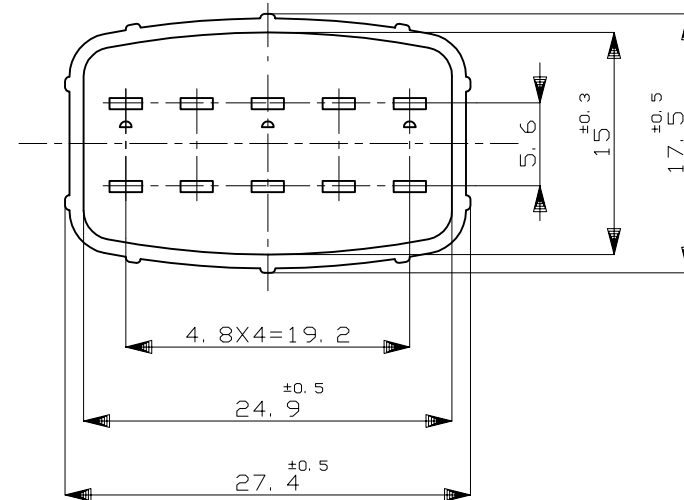
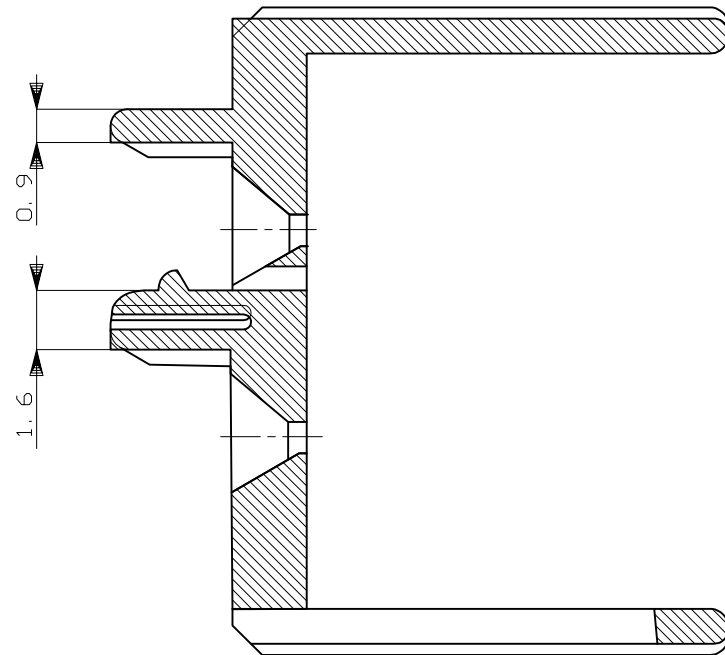
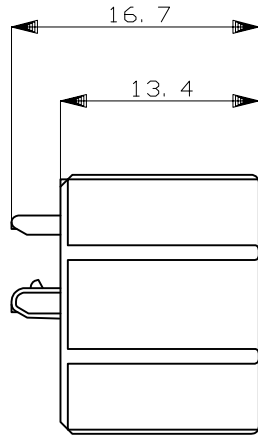
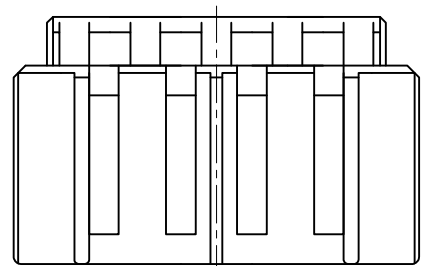
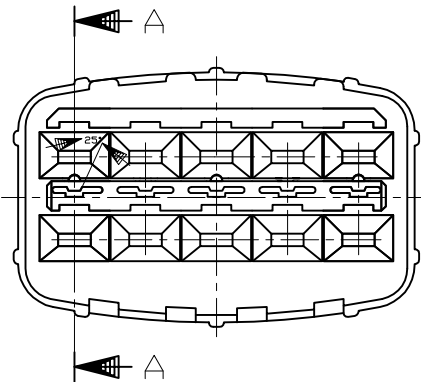
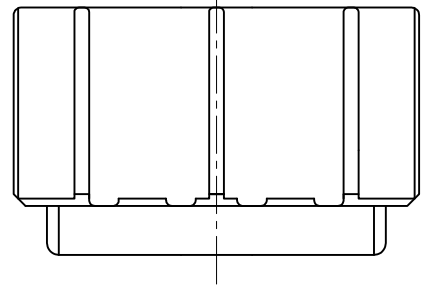
ALL RIGHTS RESERVED.

LOC
J

DIST
-

REVISIONS


P	LTR	DESCRIPTION	DATE	DWN	APVD
C1	REVISED	ECR-15-000191	08JAN2014	TS	KB



1. 本品は、キャップハウジング型番174657に装着される。
 1. TO BE MATED WITH CAP HOUSING (PN 174657)

SECTION
断面 A-A
(尺度 5:1)

HB	自然色 (NATURAL)	1-174658-1
V-2	黄 (YELLOW)	174658-7
使用材料難燃グレード (FLAMMABILITY OF MATERIAL)	色 (COLOR)	型番 (PART NUMBER)

THIS DRAWING IS A CONTROLLED DOCUMENT.		DWN K.ODA 7/9'87	 TE Connectivity		
DIMENSIONS: mm		CHK Y.MATSUSAKA 7/9'87			
TOLERANCES UNLESS OTHERWISE SPECIFIED:		APVD M.NOGUCHI 7/9'87	NAME 10P. ECONOSEAL J-MARKII+ CONNECTOR DOUBLE LOCK PLATE FOR CAP HOUSING		
0 PLC ±- 1 PLC ±- 2 PLC ±- 3 PLC ±- 4 PLC ±- ANGLES ±-		PRODUCT SPEC 108-5262	SIZE A3	CAGE CODE 00779	DRAWING NO C-174658
MATERIAL PBT		FINISH -	WEIGHT -	RESTRICTED TO -	SCALE 2:1
GENERAL TOLERANCE 0 < * ≤ 10 : ±0.2 10 < * ≤ 30 : ±0.25 30 < * ≤ 100 : ±0.3 ANGLES : ±3°			CUSTOMER DRAWING		
			SHEET 1 of 1		
			REV C1		