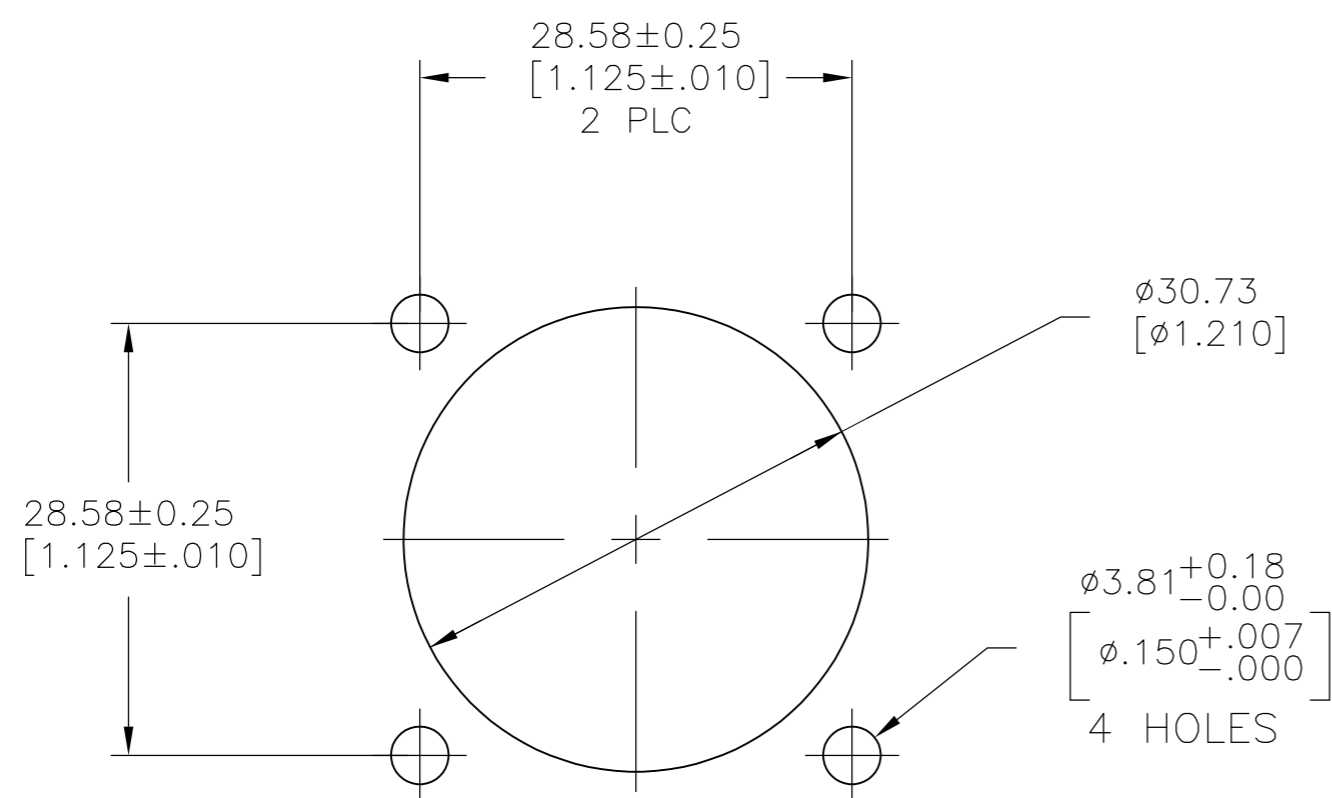
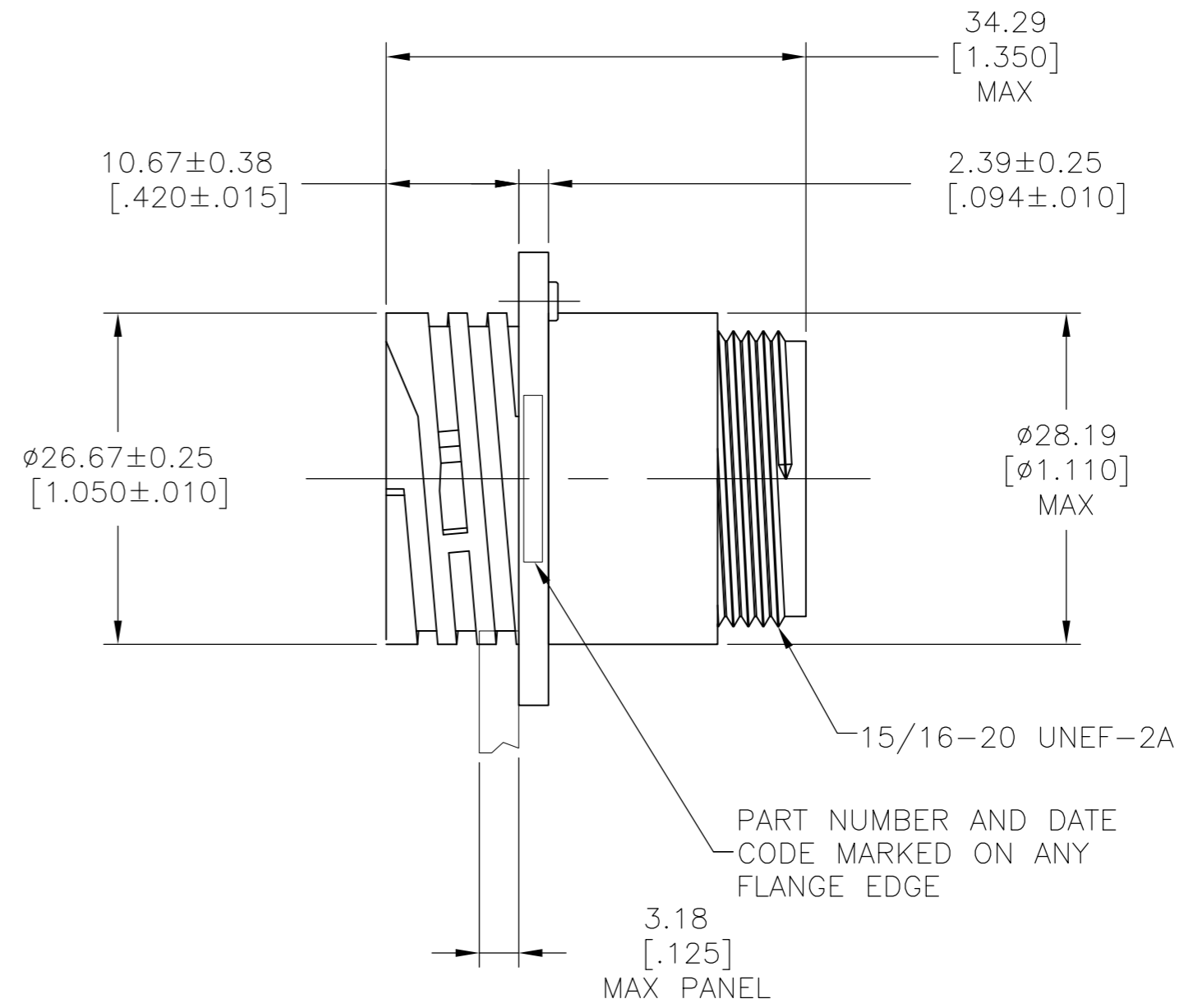
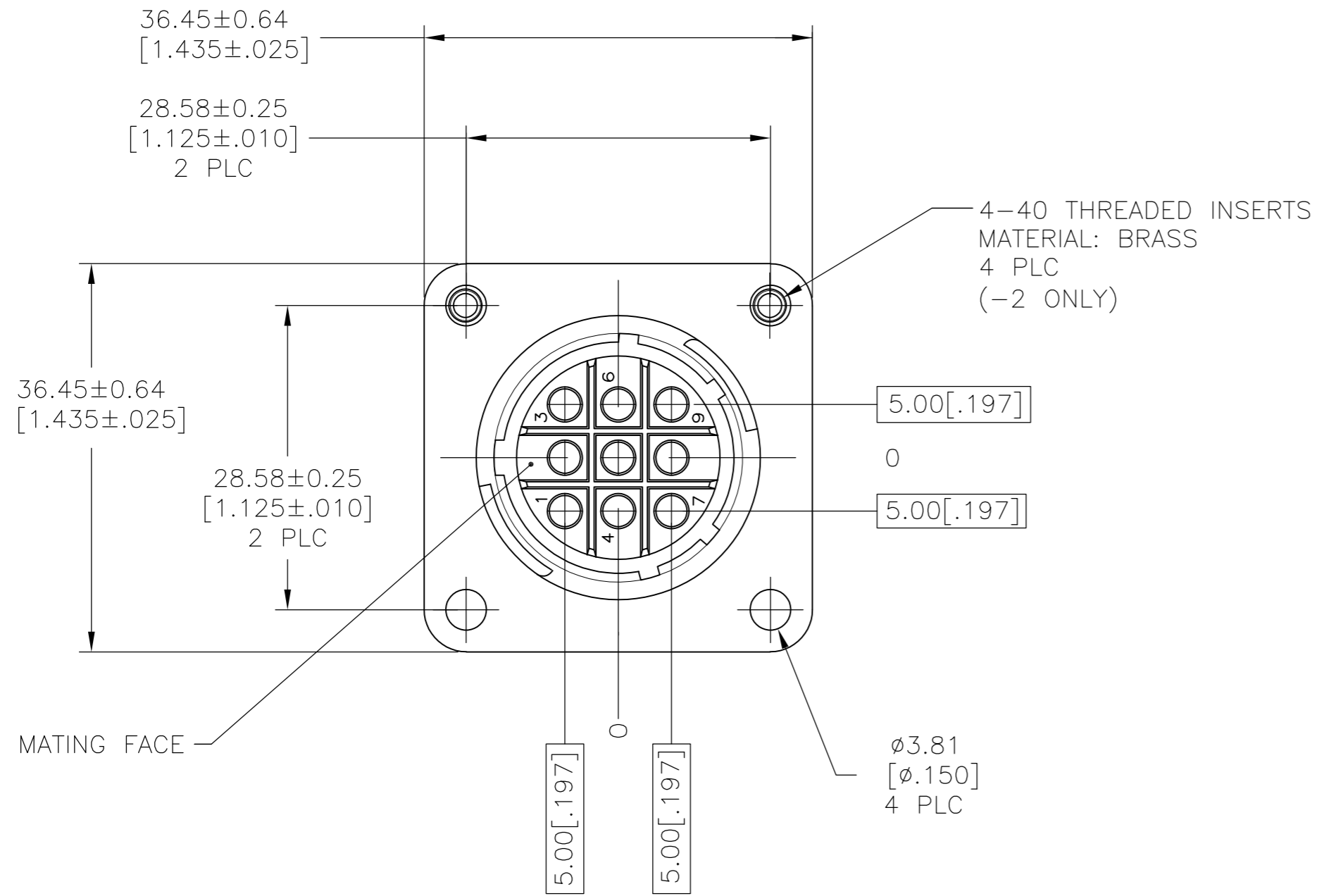


THIS DRAWING IS UNPUBLISHED. RELEASED FOR PUBLICATION
 © COPYRIGHT - By - ALL RIGHTS RESERVED.

REVISIONS					
P	LTR	DESCRIPTION	DATE	DWN	APVD
D1		REVISED PER ECO-11-004587	11MAR11	RK	HMR
E		REVISED PER ECR-16-012833	07DEC2016	RS	MZ



RECOMMENDED PANEL CUTOUT

- 1. HOUSING: NYLON, BLACK. THREADED INSERTS: BRASS
- 2. CAVITY IDENTIFICATION ON FRONT AND REAR FACE.
- 3. WILL ACCEPT NINE (9) MULTIMATE PIN CONTACTS.

OBsolete	YES	211767-3
	YES	211767-2
	NO	211767-1
	4-40 THREADED INSERTS	PART NUMBER

THIS DRAWING IS A CONTROLLED DOCUMENT.		DWN D.BROCKWAY 09-28-94	TE Connectivity	
DIMENSIONS: mm [INCHES]		CHK R.STONE 09-30-94	RCPT HSG, STD SEX, VDE, SHELL SIZE 17, CPC	
TOLERANCES UNLESS OTHERWISE SPECIFIED:		APVD -	NAME	
0 PLC ± -		PRODUCT SPEC -	SIZE	
1 PLC ± -		APPLICATION SPEC -	CAGE CODE	
2 PLC ± 0.13 [.005]		WEIGHT 0.000000	DRAWING NO	
3 PLC ± -		CUSTOMER DRAWING	A2 00779 C=211767	
4 PLC ± -		SCALE 2:1	SHEET 1 OF 1	
ANGLES ± -		REV E		
FINISH -				