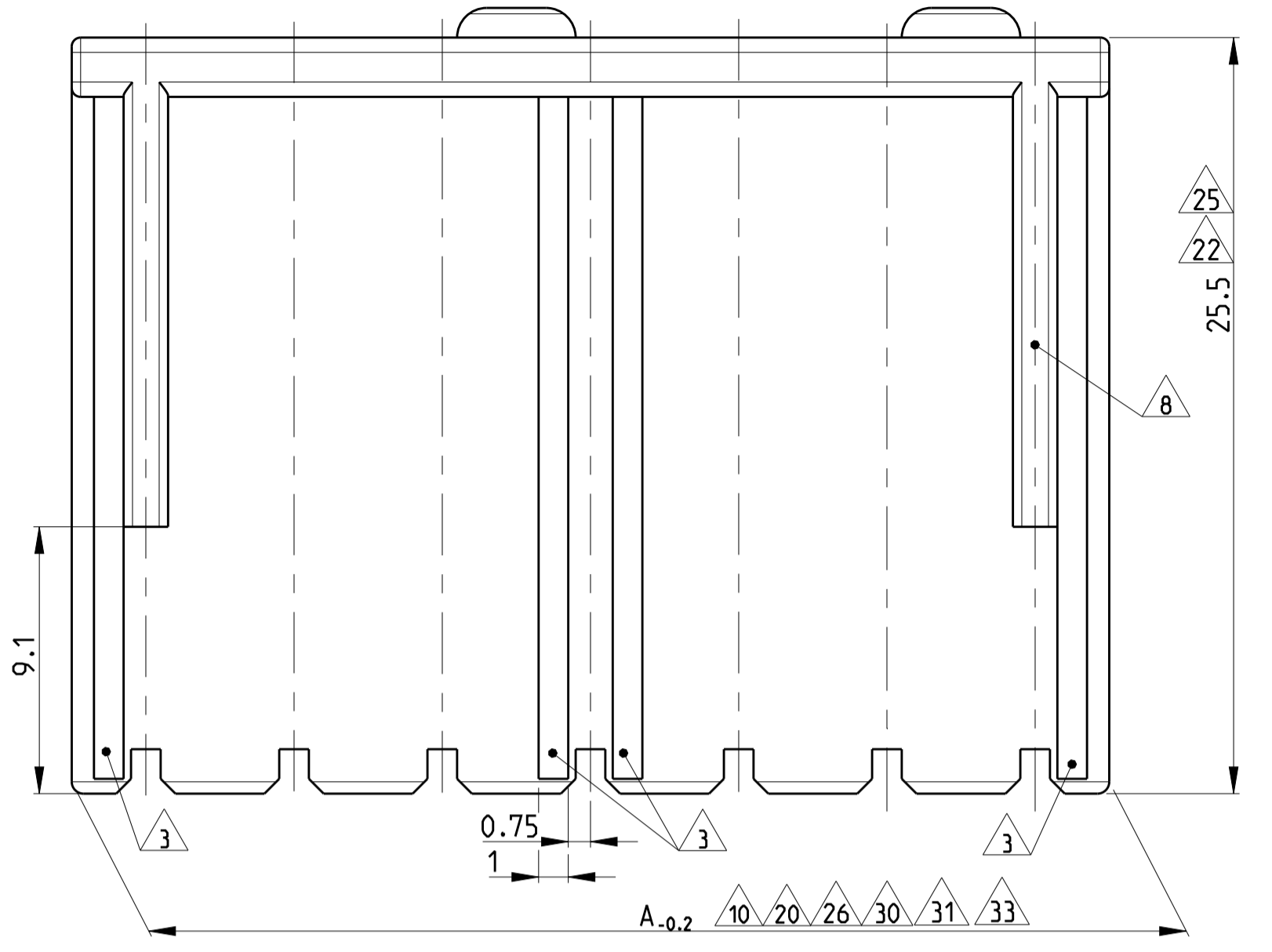
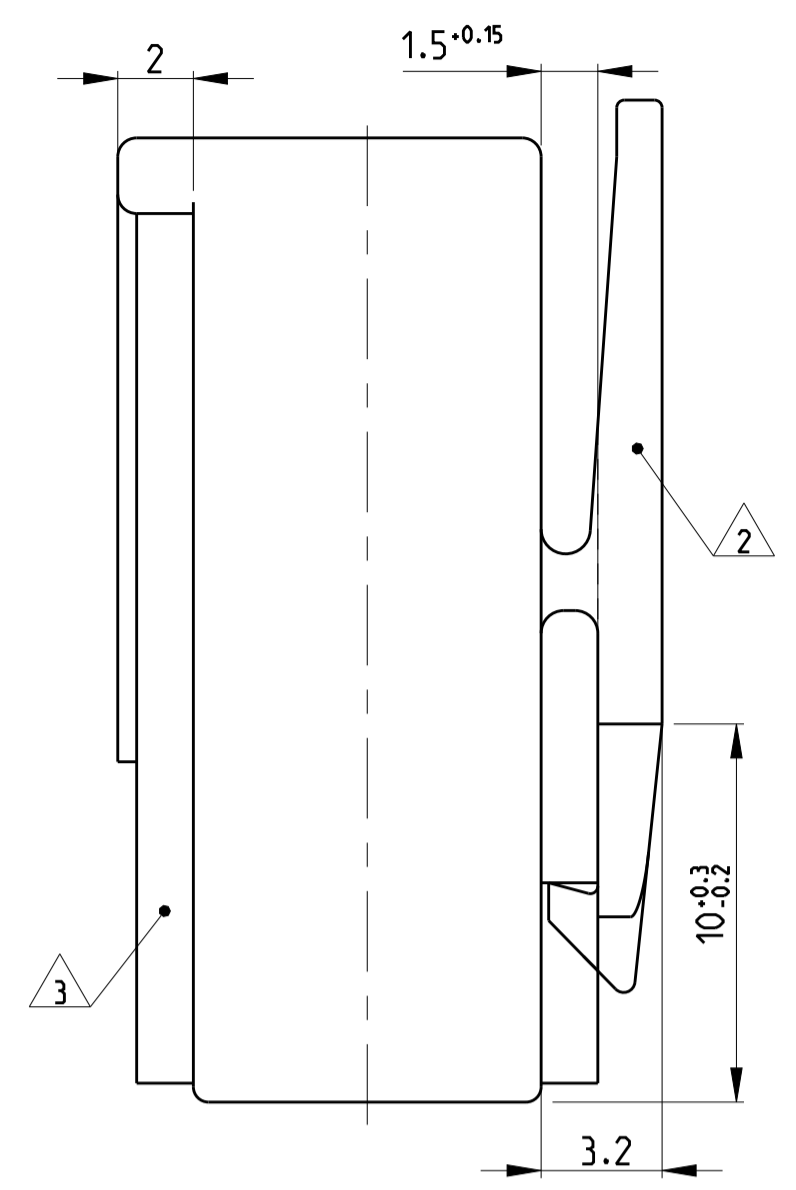
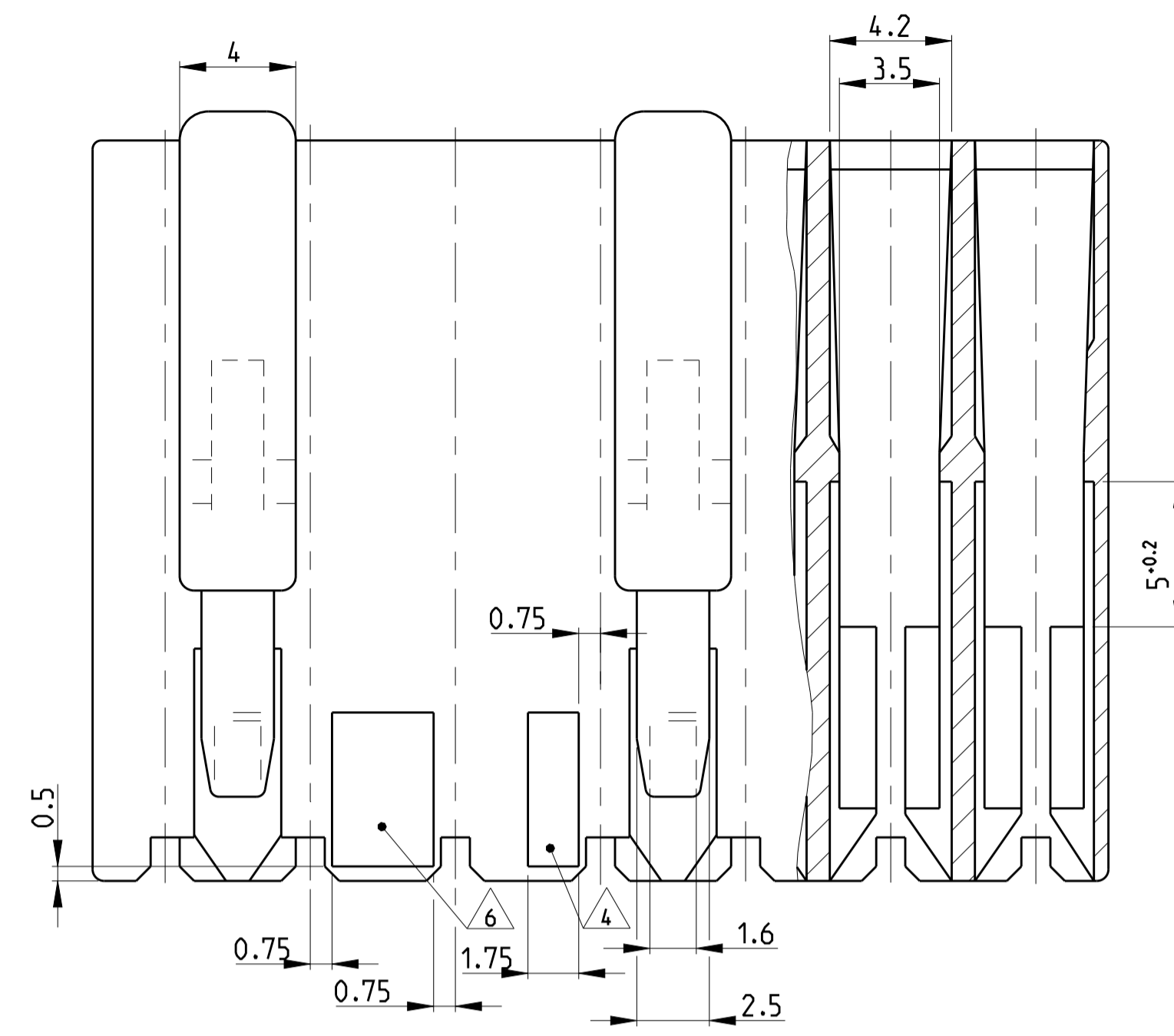
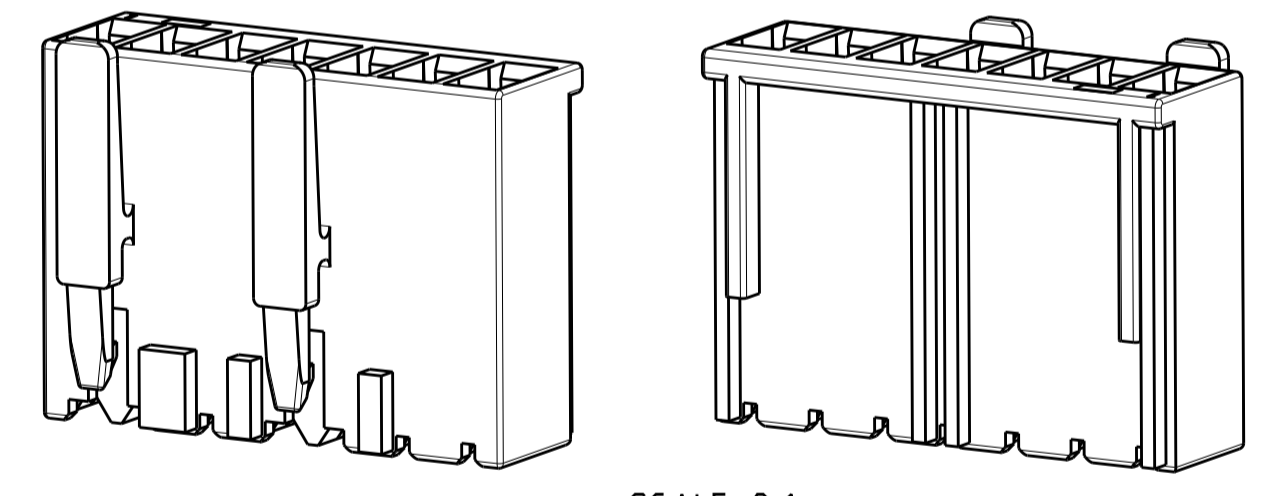
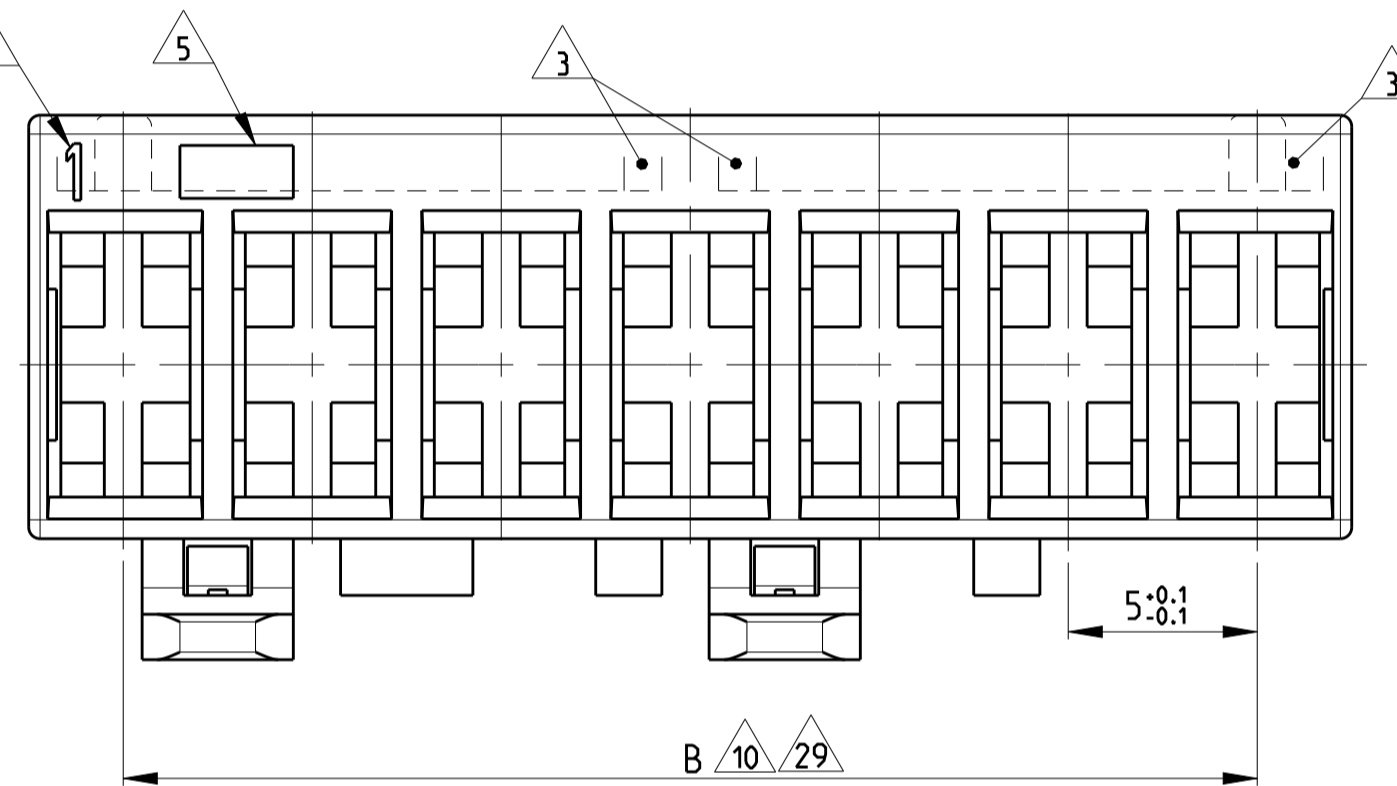
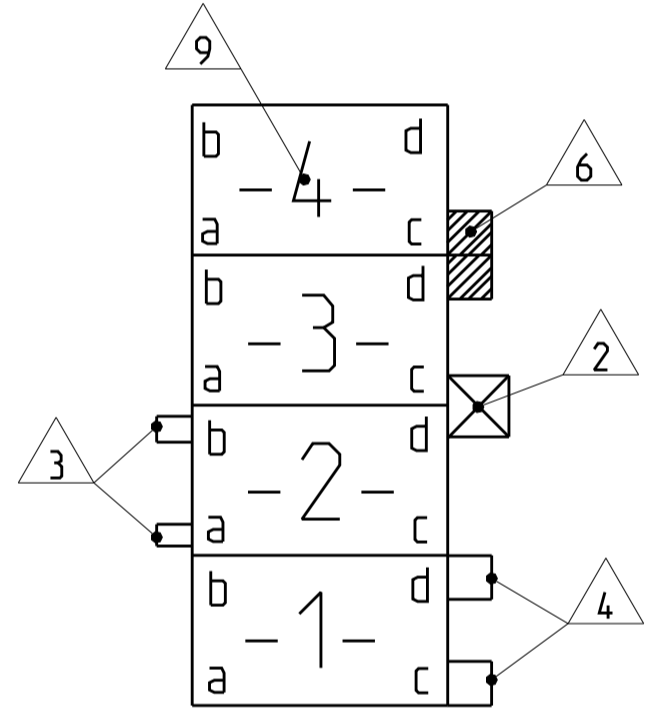
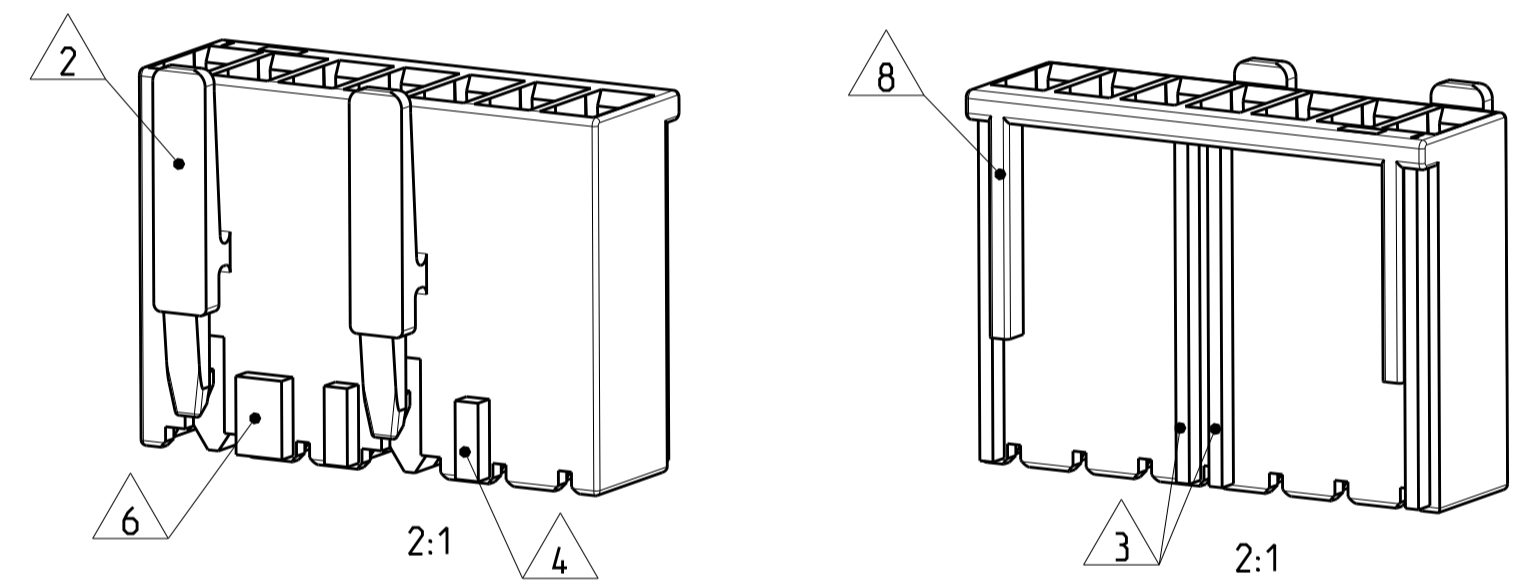


LOC	DIST	REV	DESCRIPTION	DATE	DWN	APVD
A1	-	-				
B47	ECR-20-007980			19 JUN 2020	SM	FL
B48	ECR-20-008727			22 JUN 2020	DC	FL
B49	ECN-20-100216			21 JUL 2020	DC	FL
B50	ECR-20-101113			22 DEC 2020	PJ	FL



- 1 CAVITY SUITABLE TO STANDARD TIMER CONTACTS LISTED IN PROD: SPEC: 108-18049, ITEM 3.3.2
Kammer geeignet für Standard Timer Kontakte gelistet in Prod. Spec. 108-18049, Punkt 3.3.2
- 2 LOCKING LATCH BETWEEN CAVITY NO. Rasthaken zwischen Kammernummer
- 3 POLARIZATION RIB POSITION "a" OR POSITION "b", AT CAVITY NO..
Polarisierungsrippen (Lage "a") oder (Lage "b") versetzt bei Kammer Nr
- 4 KEYING RIB POSITION "c" OR POSITION "d", AT CAVITY NO..
Kodierungsrippen nach unten (Lage "c") oder oben (Lage "d") versetzt bei Kammernummer
- 5 AREA FOR TE LOGO ACC. TO SPEC 202-36
Bereich für TE Logo nach Spec. 202-36
- 6 WIDTH KEYING RIB BETWEEN CAVITY NO. Breite Kodierrippe zwischen Kammer Nr.
- 7 SUITABLE TO TAB 6.3x0.8mm AND 4.8x0.8mm ACCORDING TO DIN 46244
Geeignet für Flachstecker 6.3x0.8mm und 4.8x0.8mm nach DIN 46244
- 8 MATING STOP BETWEEN CAVITY NO.1 AND 2, ALSO BETWEEN THE LAST AND THE LAST BUT ONE CAVITY
Tiefenanschlag zwischen Kammer Nr.1 und 2, ebenfalls zwischen der letzten und vorletzten Kammer
- 9 CONTACT CAVITY NO. Kammernummer
- 10 DIMENSION A AND DIMENSION B SEE SHEET 2 OF 3
Maß A und Maß B siehe Blatt 2 von 3
- 11 MATED WITH TE CONNECTOR: SEE TABLE, SHEET 2 OF 3
Passender TE Gegenstecker: siehe Tabelle, Seite 2 von 3
- 12 GENERAL SUITABLE TAB HEADER HOUSING SEE RAST 5 PERFORMANCE
Generell passende Flachsteckerwanne, siehe RAST 5 Vorgabe
- 13 CONNECTION TO THE PC BOARD SEE DRAWING 88-9935-4
Leiterplattenanschluß siehe Zeichnung 88-9935-4
- A B SEE TABLE, SHEET 2 OF 3
C D E Siehe Tabelle, Blatt 2 von 3
- 14 MATERIAL CORRESPONDS TO THE REQUIREMENT EN 60335 (INCL. GLOW WIRE TEST 750°C WITHOUT FLAME)
- 15 WIRE TANGLING PROTECTION
- 16 WIRE TANGLING PROTECTION IN COMBINATION WITH CODING RIBS, ONLY VALID FOR VERSIONS 5-964702-3, 0-964702-3, 0-964702-1
- 17 KEYING ACC. TO RAST-5 STANDARD; COLOUR IS DIFFERENT
- 18 8 POS. SPECIAL VERSION WITH SWAGED KEYING RIB
- 19 SPECIAL MATERIAL PA66, UL 94 V0
- 20 DIMENSION "A" IS ACCEPTED WITHIN TOLERANCE +0.05/-0.20.
- 21 PRELIMINARY PART- NOT YET RELEASED FOR PRODUCTION
- 22 ONLY FOR PN 2178600-2, 3-2178600-2, 4-2178600-2, 5-2178600-2, TOLERANCE IS +0.4 -0.2, WORST CASE CAN BE OUT OF RAST STANDARD.
- 23 ONLY FOR PN 2178600-2, 3-2178600-2, 4-2178600-2, 5-2178600-2, TOLERANCE IS +0.4 -0.2
- 24 ONLY FOR PN 2178600-2, 3-2178600-2, 4-2178600-2, 5-2178600-2, TOLERANCE IS ±4°
- 25 ONLY FOR PN 3-1241965-5, 3-1241965-7 TOLERANCE IS +0.3 -0.2
- 26 ONLY FOR PN 3-1241965-5, 3-1241965-7 TOLERANCE IS +0.2 -0.2
- 27 ONLY FOR PN 3-1241965-5, 3-1241965-7 TOLERANCE IS +0.05 -0.2
- 28 OBSOLETE PART
- 29 ONLY FOR 4-1241965-7, 1-2364737-1, TOLERANCE IS -0.3
- 30 ONLY FOR 4-1241965-7, TOLERANCE IS +0.2/-0.25
- 31 ONLY FOR 1-2178029-3, TOLERANCE IS +0.15/-0.2

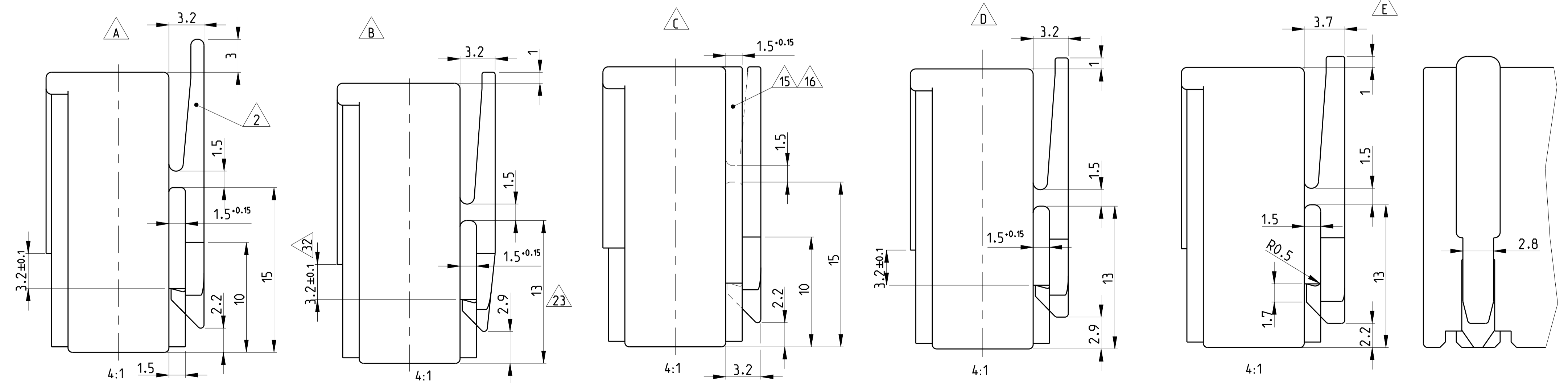
DESCRIPTION
 POSITION OF THE KEYING RIBS, POLARISATION RIBS AND THE LOCKING LATCH



SCALE 2:1

PAY ATTENTION!
 DIFFERENT LOCKING LATCHES

ALL OTHER DIMENSIONS ARE SAME

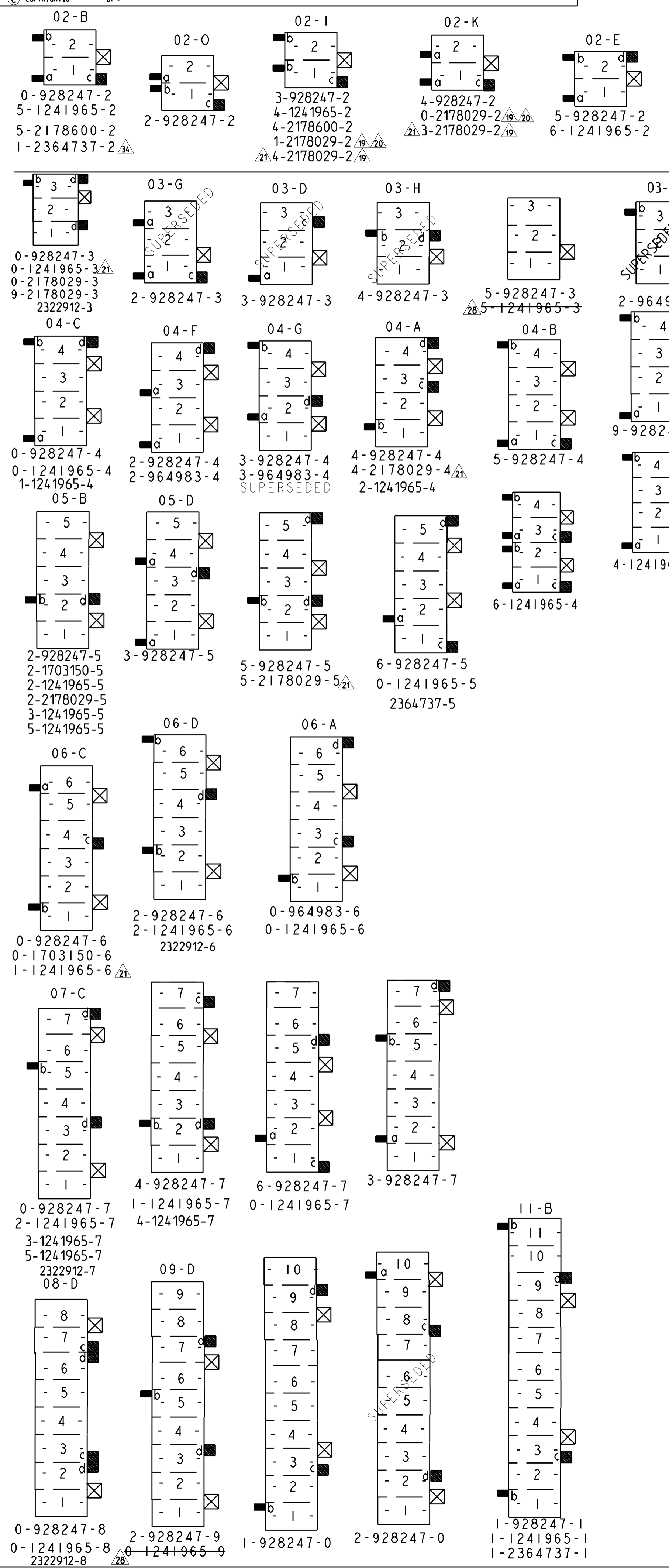


ADDITIONAL NOTES SEE 3 OF SHEET 4

THIS DRAWING IS A CONTROLLED DOCUMENT.		DWN: Kishor M 18 JUL 2017		TE Connectivity	
DIMENSIONS: mm		CHK: K. Munz 07-NOV-06		NAME	
TOLERANCES UNLESS OTHERWISE SPECIFIED: ±0.2		APVD: T. Klenner 07-NOV-06		108-18049-1	
1-PLC ±0.1		PRODUCT SPEC		2-12 POS. STANDARD TIMER HSG WITH EXTERIOR LOCKING	
2-PLC ±0.1		APPLICATION SPEC		SIZE: CAGE CODE: DRAWING NO: RESTRICTED TO	
3-PLC ±0.001		MATERIAL SEE TABLES		A1 00779 C=1241965	
4-PLC ±0.0001		WEIGHT		SHEET 1 OF 4	
ANGLES FINISH		Customer Drawing		SCALE 5:1	
				REV B50	

LOC	DIST	REV	DATE	BY	APPV
A1	-	1	-	-	-

KEYING PLAN

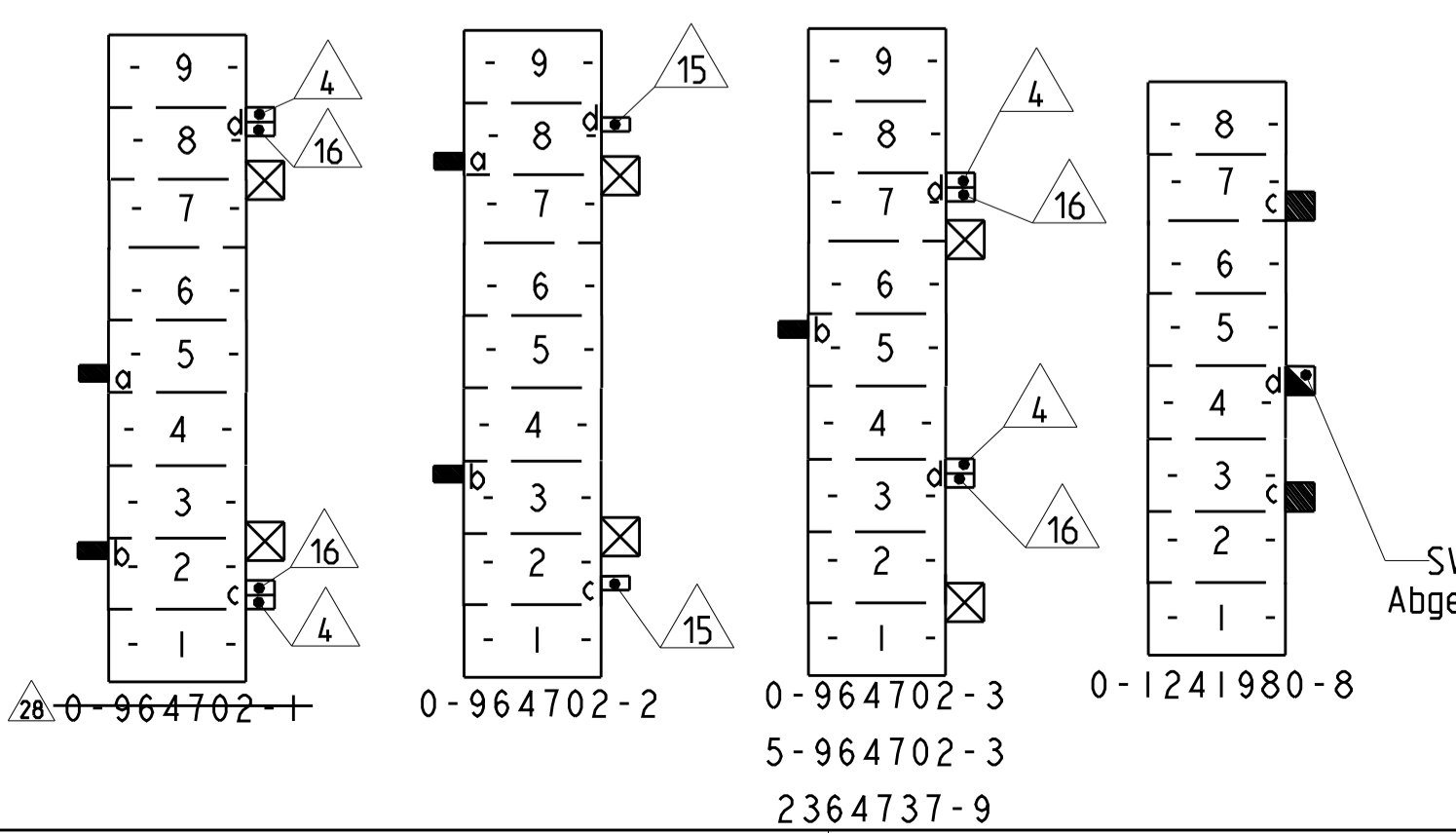


PART NO.	POS.	RAST 5	DIM A	DIM B	COLOUR	MATERIAL	LOCKING LATCH	REV.	MATED WITH
Bestell-Nr.	Pol.	Rast 5	Maß A	Maß B	Farbe		Rasthaken	Rev.	Gegenstecker
3-1241965-7	7	07-C	35	30	NATURAL	PA6 GF15 UL94V-2	D	A	12/13
3-1241965-5	5	05-B	25	20	NATURAL	UL94V-2	D	A	12/13
8-2178600-2	2	02-C	10	5	NATURAL	PA6 GF15 UL94V-2	B	1	12/13
5-2178600-2	5	02-B	10	5	BLACK		B	B	12/13
4-2178600-2	2	02-I	10	5	RED		B	B	12/13
3-2178600-2	2	02-G	10	5	BLUE		B	B	12/13
0-2178600-2	2	02-A	10	5	NATURAL		B	B	12/13
2-1241965-7	7	07-C	35	30	NATURAL	PA6 UL94V-2	B	A	12/13
1-1241965-6	6	06-C	30	25	NATURAL		B	1	12/13
0-1241965-6	6	06-A	30	25	NATURAL		B	A	12/13
5-1241965-3	3	-	15	10	NATURAL		A	1	12/13
0-1241965-3	3	-	15	10	NATURAL		B	1	12/13
6-1241965-2	2	02-E	10	5	NATURAL		B	A	12/13

PART NO.	POS.	RAST 5	DIM A	DIM B	COLOUR	MATERIAL	LOCKING LATCH	REV.	MATED WITH
Bestell-Nr.	Pol.	Rast 5	Maß A	Maß B	Farbe		Rasthaken	Rev.	Gegenstecker
5-2178029-5	5	-	25	20	GREEN		B	1	12/13
2-2178029-5	5	-	25	20	BLACK		B	A	12/13
4-2178029-4	4	-	20	15	NATURAL		B	1	12/13
9-2178029-3	3	-	15	10	YELLOW		B	A	12/13
1-2178029-3	3	-	15	10	NATURAL		B	B	12/13
0-2178029-3	3	-	15	10	NATURAL		B	A	12/13
5-2178029-2	2	02-B	10	5	NATURAL	PA66 UL94V-0	B	1	12/13
4-2178029-2	2	02-I	10	5	NATURAL		B	1	12/13
3-2178029-2	2	02-K	10	5	NATURAL		B	1	12/13
2-2178029-2	2	02-B	10	5	BLACK		B	A	12/13
1-2178029-2	2	02-I	10	5	RED		B	A	12/13
0-2178029-2	2	02-K	10	5	GREEN		B	A	12/13

PART NO.	POS.	RAST 5	DIM A	DIM B	COLOUR	MATERIAL	LOCKING LATCH	REV.	MATED WITH
Bestell-Nr.	Pol.	Rast 5	Maß A	Maß B	Farbe		Rasthaken	Rev.	Gegenstecker
3-1241965-7	7	07-C	35	30	NATURAL	PA6 GF15 UL94V-2	D	A	12/13
3-1241965-5	5	05-B	25	20	NATURAL	UL94V-2	D	A	12/13
8-2178600-2	2	02-C	10	5	NATURAL	PA6 GF15 UL94V-2	B	1	12/13
5-2178600-2	5	02-B	10	5	BLACK		B	B	12/13
4-2178600-2	2	02-I	10	5	RED		B	B	12/13
3-2178600-2	2	02-G	10	5	BLUE		B	B	12/13
0-2178600-2	2	02-A	10	5	NATURAL		B	B	12/13
2-1241965-7	7	07-C	35	30	NATURAL	PA6 UL94V-2	B	A	12/13
1-1241965-6	6	06-C	30	25	NATURAL		B	1	12/13
0-1241965-6	6	06-A	30	25	NATURAL		B	A	12/13
5-1241965-3	3	-	15	10	NATURAL		A	1	12/13
0-1241965-3	3	-	15	10	NATURAL		B	1	12/13
6-1241965-2	2	02-E	10	5	NATURAL		B	A	12/13
5-2178029-5	5	-	25	20	GREEN		B	1	12/13
2-2178029-5	5	-	25	20	BLACK		B	A	12/13
4-2178029-4	4	-	20	15	NATURAL		B	1	12/13
9-2178029-3	3	-	15	10	YELLOW		B	A	12/13
1-2178029-3	3	-	15	10	NATURAL		B	B	12/13
0-2178029-3	3	-	15	10	NATURAL		B	A	12/13
5-2178029-2	2	02-B	10	5	NATURAL	PA66 UL94V-0	B	1	12/13
4-2178029-2	2	02-I	10	5	NATURAL		B	1	12/13
3-2178029-2	2	02-K	10	5	NATURAL		B	1	12/13
2-2178029-2	2	02-B	10	5	BLACK		B	A	12/13
1-2178029-2	2	02-I	10	5	RED		B	A	12/13
0-2178029-2	2	02-K	10	5	GREEN		B	A	12/13

SPECIAL VERSIONS SEE SHEET 3 OF 3



SWAGED KEYING RIB
Abgeschrägte Kodierrippe

COLOUR	SUPERSEDED BY PN:	PART NO.	POS.	RAST 5	DIM A	DIM B	COLOUR	MATERIAL	LOCKING LATCH	REV.	MATED WITH
		Bestell-Nr.	Pol.	Rast 5	Maß A	Maß B	Farbe		Rasthaken	Rev.	Gegenstecker
NATURE		1-969484-7	3	03-H	15	10	BROWN/braun				
NATURE		1-969484-8	3	03-D	15	10	BLUE/blau				
NATURE		3-969484-7	2	03-G	15	10	VIOLET/violett (lila)				
		0-928247-3	3	-	15	10	YELLOW/gelb	UL94V-2	B		12/13
		9-928247-2	2	-	10	5	NATURE/natur		B		12/13
		8-928247-2	2	02-C	10	5	GREY/grau		B		12/13
NATURE		0-969484-3	7	02-P	10	5	PURPLERED/purpurrot		A		12/13
		6-928247-2	2	02-A	10	5	NATURE/natur		B		12/13
		5-928247-2	2	02-E	10	5	GREEN/grün		B		12/13
		4-928247-2	2	02-K	10	5	YELLOW GREEN/gelbgrün		B		12/13
		3-928247-2	2	02-I	10	5	ORANGE/orange		A		12/13
		2-928247-2	2	02-O	10	5	PINK/rosa		A		12/13
		0-928247-2	2	02-B	10	5	BLACK/schwarz		B		12/13
		7-1241965-2	2	02-M	10	5	NATURE/natur				
		0-1241980-8	8	-	40	35	NATURE/natur	UL94V-0	-	B	12/13
		5-964702-3	-	-	-	-	NATURE/natur				
		0-964702-3	-	-	-	-	NATURE/natur				
		0-964702-2	9	-	45	40	BLACK/schwarz	UL94V-2	C	E	12/13
		28-0-964702-1	-	-	-	-	NATURE/natur				
		0-964983-6	6	06-A	17	30	WHITE/weiß				
		3-964983-4	4	04-G	17	20	GREY/grau				
		2-964983-4	4	04-F	17	20	ORANGE/orange				
		2-964983-3	3	03-K	15	10	GREEN/grün	UL94V-2	B	D	12/13
		28-0-964983-2	2	02-M	17	10	VIOLET/violett (lila)				
		2-964983-2	2	02-G	17	10	BLUE/blau				
		0-964983-2	2	02-B	17	10	BLACK/schwarz				
		1-1241965-1	11	11-B	17	55	NATURE/natur				
		28-0-1241965-9	9	09-D	17	45	NATURE/natur				
		0-1241965-8	8	08-D	40	35	NATURE/natur				
		1-1241965-7	7	-	35	30	NATURE/natur				
		0-1241965-7	7	-	35	30	NATURE/natur	UL94V-2	B		12/13
		2-1241965-6	6	06-D	30	25	NATURE/natur				
		2-1241965-5	5	05-B	25	20	NATURE/natur				
		0-1241965-5	5	-	25	20	NATURE/natur				
		6-1241965-4	4	-	20	15	NATURAL				
		0-1241965-4	4	04-C	20	15	NATURE/natur				
		9-1241965-2	2	-	10	5	NATURE/natur	UL94V-2	B		12/13
		5-1241965-2	2	02-B	10	5	BLACK/schwarz				
		4-1241965-2	2	02-I	17	10	RED/rot				
		3-1241965-2	2	02-G	17	10	BLUE/blau				
		0-1241965-2	2	02-A	10	5	NATURE/natur				
		1-928247-1	11	11-B	17	55	YELLOW/gelb				12/13
		28-0-928247-0	10	-	50	45	GREY/grau				12/13
		1-928247-0	10	-	50	45	BROWN/braun				12/13
		2-928247-9	9	09-D	45	40	BLUE/blau	UL94V-2	B		964703-3 12/13
		0-928247-8	8	08-D	40	35	BLUE/blau				12/13
		6-928247-7	7	-	35	30	GREEN/grün				12/13
		4-928247-7	7	-	35	30	NATURE/natur				12/13
		3-928247-7	7	-	35	30	NATURE/natur	UL94V-0	A		12/13
		0-928247-7	7	07-C	35						


LOC	DIST	REV	DATE	BY	APPROV
A1	-				
SEE SHEET 1					

- △32 ONLY FOR 2322912-3. TOLERANCE IS +0.1/-0.15
- △33 ONLY FOR 2322912-6. 1-2364737-1. TOLERANCE IS -0.30
- △34 CANDIDATE PRELIMINARY P/N. NOT YET OFFICIAL. ONLY FOR DISCUSSION. NOT YET RELEASED FOR PRODUCTION.
- △35 DOUBLE SOURCE RESIN: ALTERNATIVE RESIN UNDER APPROVAL.

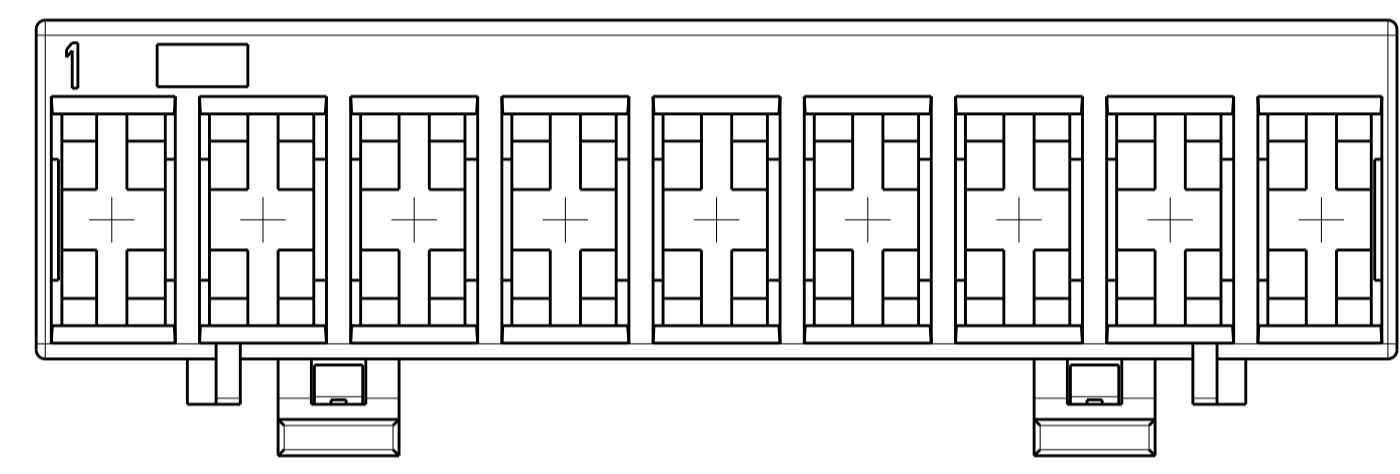
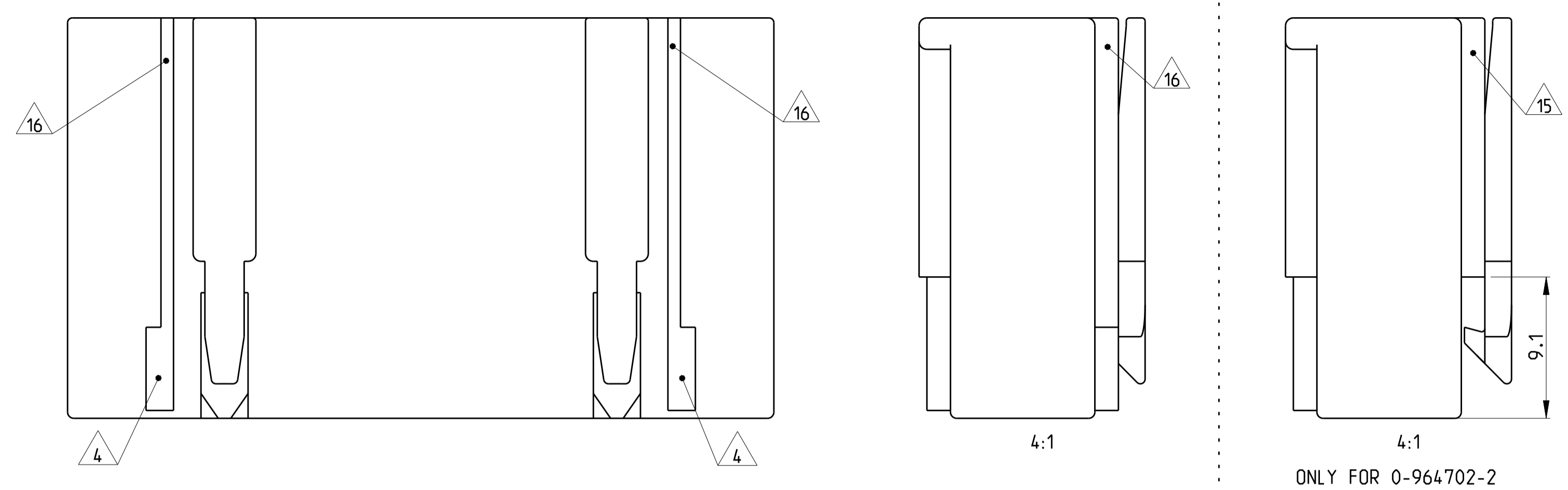
5-1241965-5	5	05-B	25	20	NATURAL	UL94-V0 & GW EPT 750 no flame	E	B	△12 △13
△34 1-2364737-2	2	02-B	10	5	BLUE		B	2	△12 △13
△35 2364737-9	9	-	45	40	BLUE		C	B	△12 △13
1-2364737-1	11	11-B	55	50	BLUE		B	B	△12 △13
2364737-5	5	-	25	20	BLUE		B	B	△12 △13
2364737-2	2	02-A	10	5	BLUE	B	B	△12 △13	
2322912-8	8	08-D	40	35	BLUE	PA66 UL94 V0 GW T 750	B	B	△12 △13
2322912-7	7	07-C	35	30	GREY		B	B	△12 △13
2322912-6	6	06-D	30	25	BLUE		B	B	△12 △13
2322912-3	3	-	15	10	YELLOW		B	B	△12 △13
2-2322912-2	2	02-A	10	5	NATURE		B	B	△12 △13
△34 1-2322912-2	2	02-G	10	5	BLUE		B	1	△12 △13
2322912-2	2	02-C	10	5	GREY	B	B	△12 △13	
5-1241965-4	4	-	20	15	NATURAL	PA66 UL94 V0 GW T 750 CTI350	E	B	△12 △13
4-1241965-4	4	-	20	15	NATURAL		E	B	△12 △13
△34 3-1241965-4	4	-	20	15	NATURAL		E	1	△12 △13
2-1241965-4	4	-	20	15	NATURAL		E	A	△12 △13
1-1241965-4	4	04-C	20	15	NATURAL		E	A	△12 △13
8-1241965-2	2	02-C	10	5	NATURAL		E	A	△12 △13
4-1241965-7	7	-	35	30	NATURAL		E	A	△12 △13
5-1241965-7	7	07-C	35	30	NATURAL		E	B	△12 △13
△34 5-1241965-5	5	05-B	25	20	NATURAL	E	1	△12 △13	
PART NO.	POS.	RAST 5	DIM A	DIM B	COLOUR	MATERIAL	LOCKING LATCH	REV.	MATED WITH
SPECIAL VERSION: UL94 V0 & GW T 750									

2345754-1	2	02-C	10	5	NATURAL	PA66 UL94 V0	E	B	△12 △13
PART NO.	POS.	RAST 5	DIM A	DIM B	COLOUR	MATERIAL	LOCKING LATCH	REV.	MATED WITH
SPECIAL VERSION: UL94 V0									

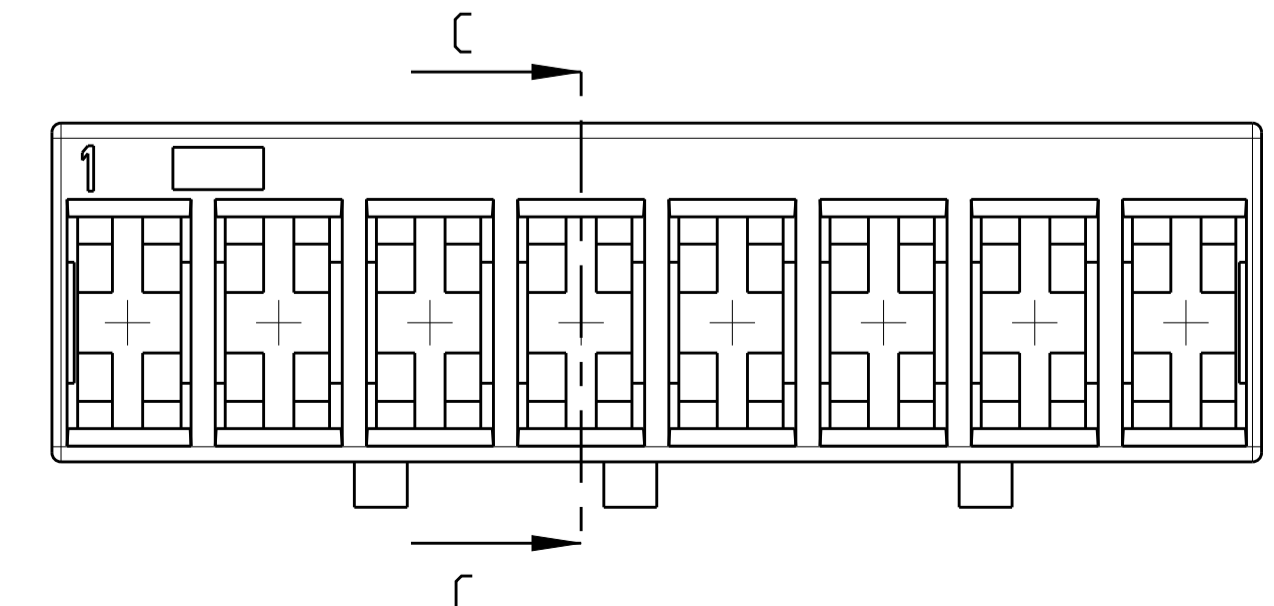
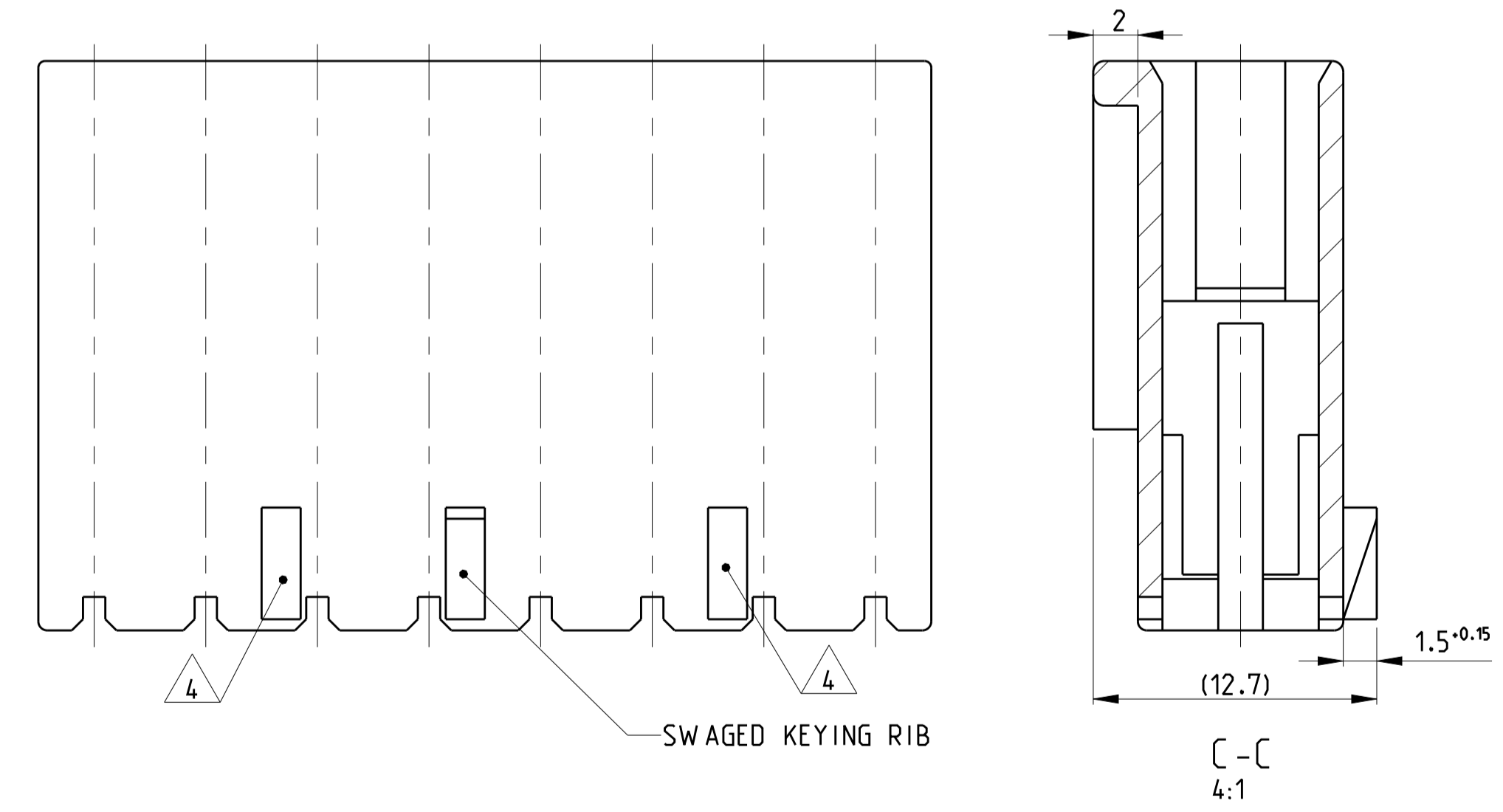
KEYING PLAN SEE SHEET 2 OF 4

THIS DRAWING IS A CONTROLLED DOCUMENT.		DRW: Kishor M 18JUL2017	 TE Connectivity
DIMENSIONS: mm		CHK: K. Munz 07-NOV-06	
TOLERANCES UNLESS OTHERWISE SPECIFIED:		APVD: Th. Klenner 07-NOV-06	NAME: 2-12 POS. STANDARD TIMER HSG WITH EXTERIOR LOCKING
0 PLC ± 1 PLC ±0.1 2 PLC ±0.01 3 PLC ±0.001 4 PLC ±0.0001 ANGLES FINISH *		PRODUCT SPEC: 108-18049	RESTRICTED TO: -
MATERIAL SEE TABLES		WEIGHT: -	SIZE: A1
		Customer Drawing	SCALE: 5:1 SHEET 3 of 4

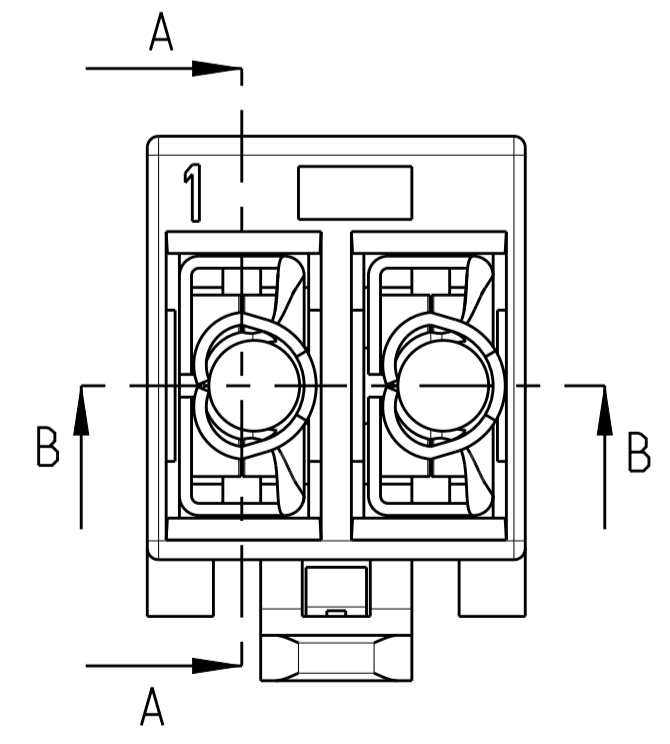
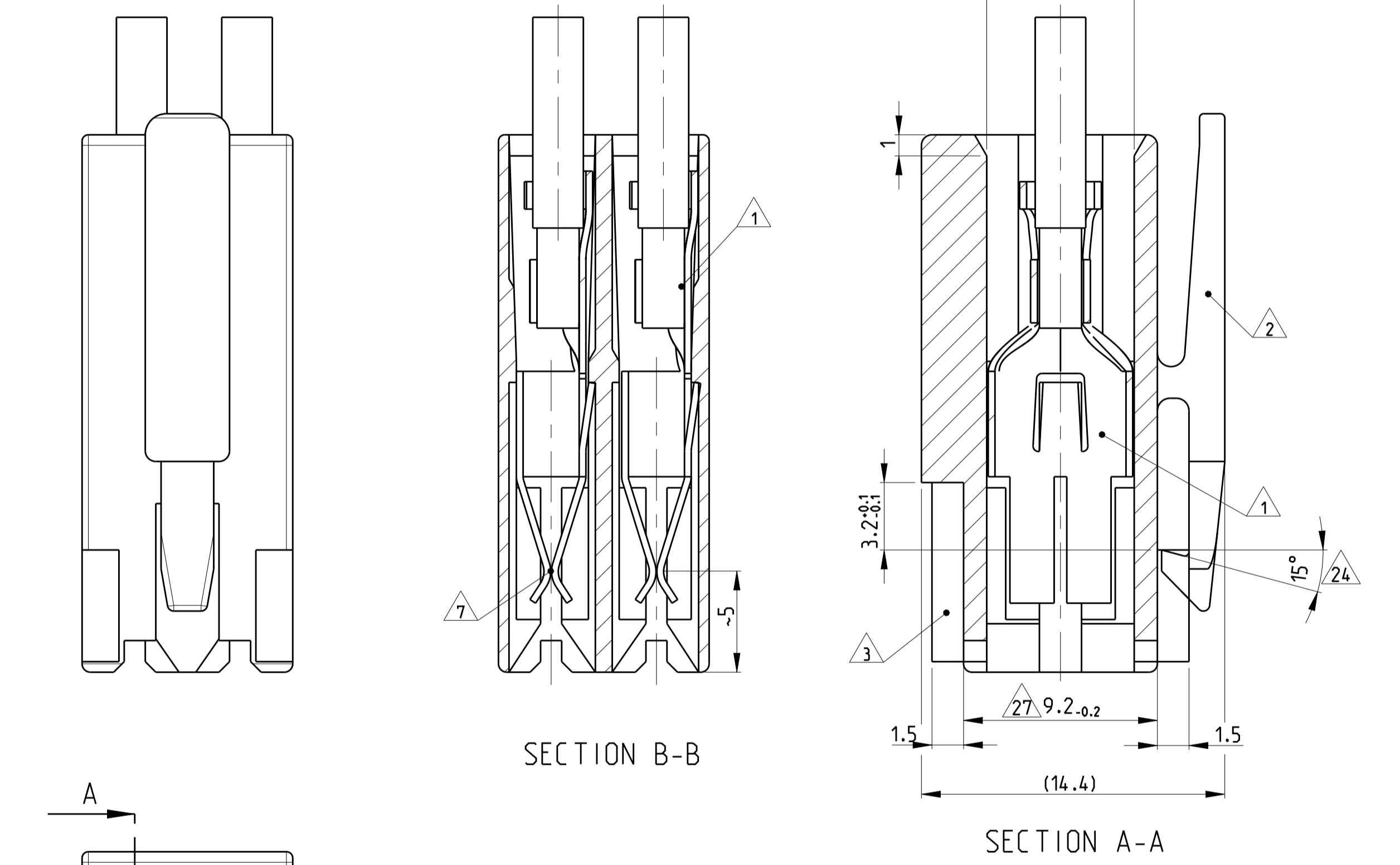
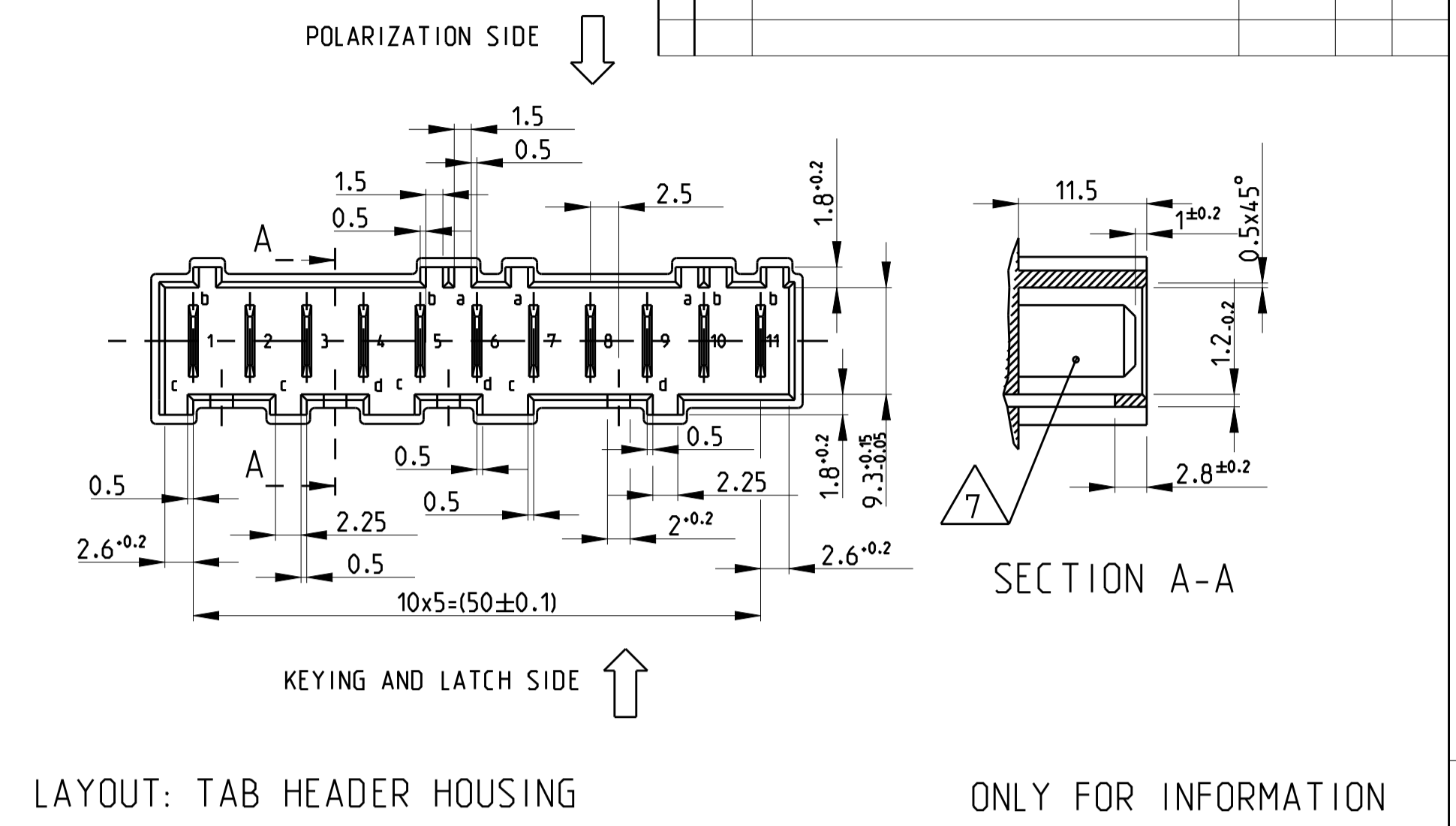
SPECIAL VERSIONS 15 16
 9 POS STD. TIMER HSG. WITH TANGLING PROTECTION



SPECIAL VERSION 18
 8 POS SPECIAL STD. TIMER HSG.



LOC	DIST	REV	DESCRIPTION	DATE	DRW	APVD
A1	-	-	SEE SHEET 1	-	-	-



THIS DRAWING IS A CONTROLLED DOCUMENT.		DRW: Kishor M 18 JUL 2017	TE Connectivity
DIMENSIONS: mm		CHK: K. Munz 07-NOV-06	
TOLERANCES UNLESS OTHERWISE SPECIFIED: ±0.2		APVD: Th. Klenner 07-NOV-06	NAME
0-PLC ±0.1 1-PLC ±0.1 2-PLC ±0.05 3-PLC ±0.001 4-PLC ±0.0001		PRODUCT SPEC	108-18049
MATERIAL SEE TABLES		APPLICATION SPEC	2-12 POS. STANDARD TIMER HSG WITH EXTERIOR LOCKING
ANGLES FINISH		WEIGHT	SIZE CAGE CODE DRAWING NO RESTRICTED TO
		Customer Drawing	A1 00779 C=1241965
		SCALE 5:1	SHEET 4 OF 4 REV B50