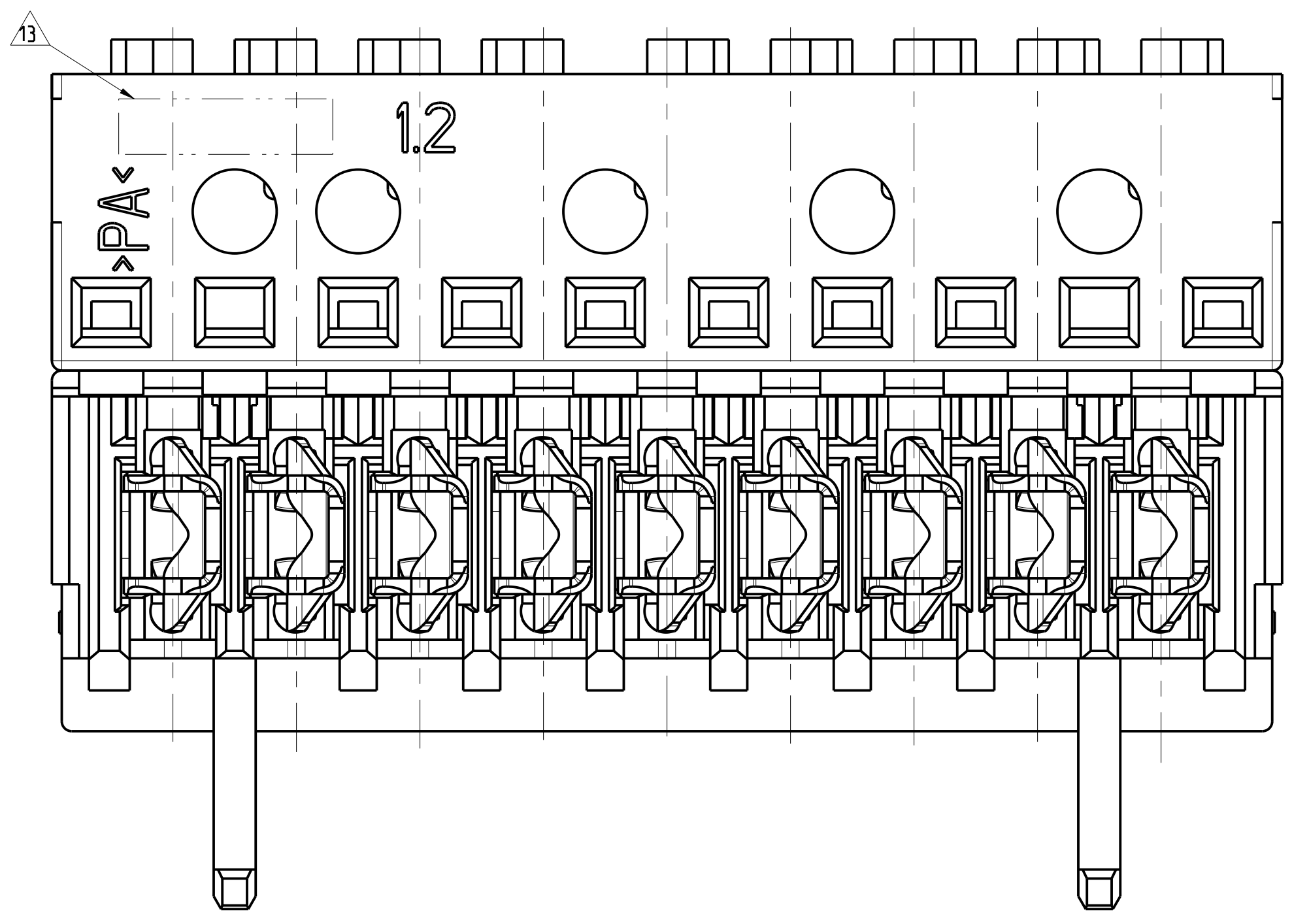
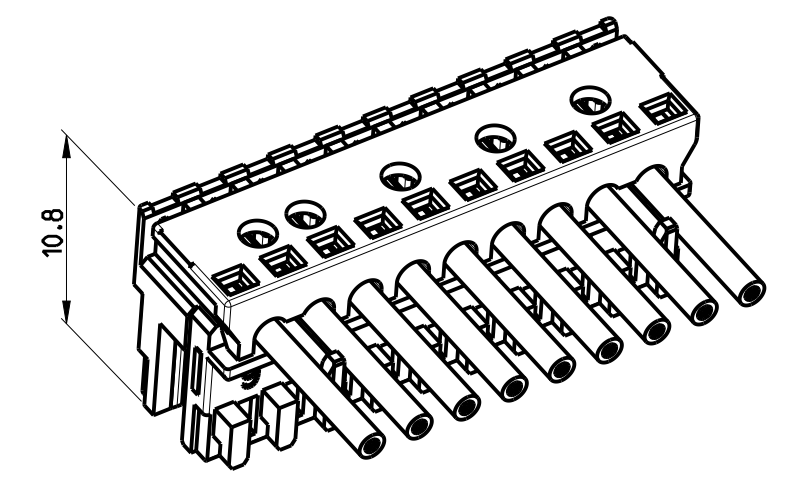
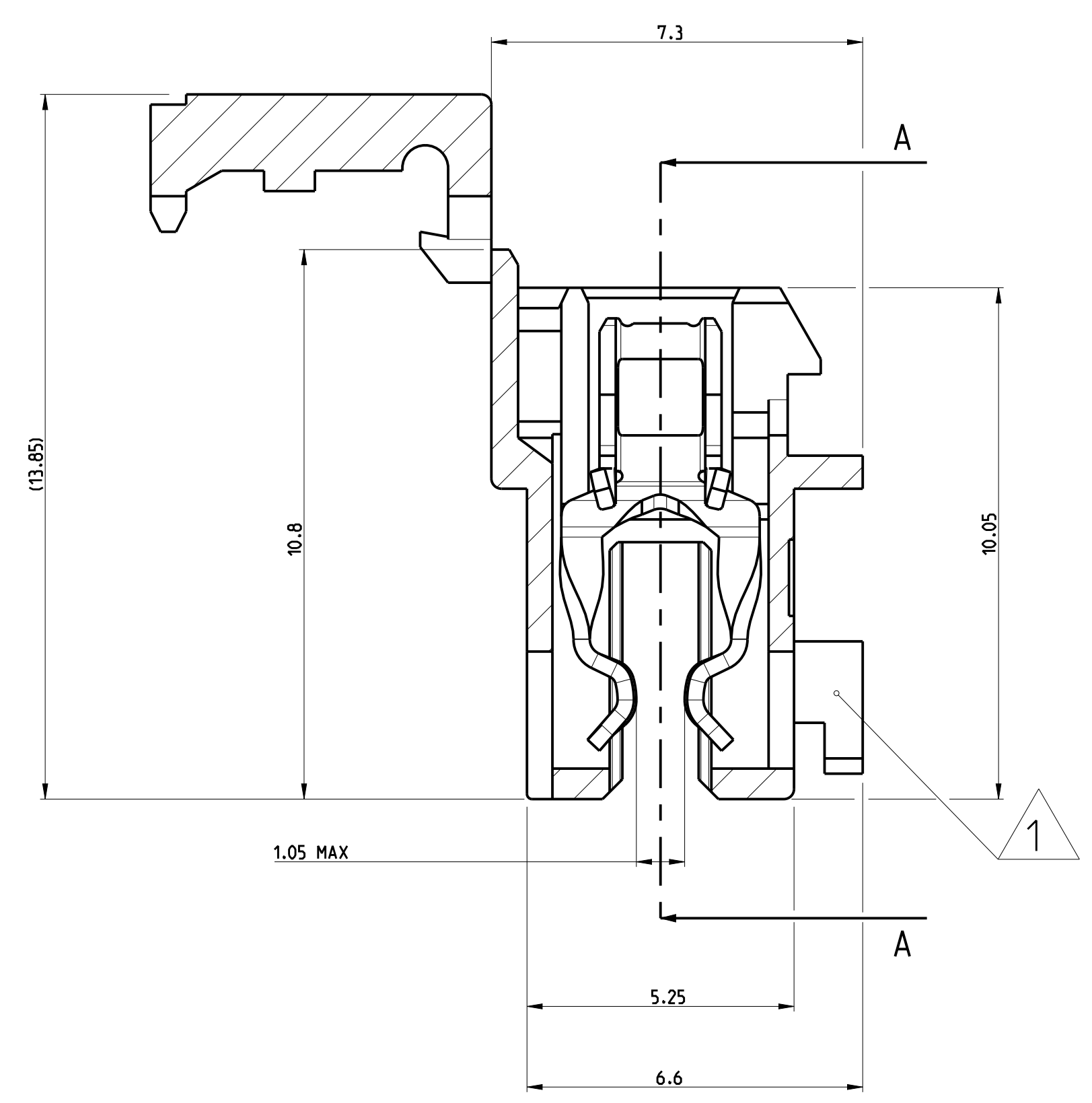
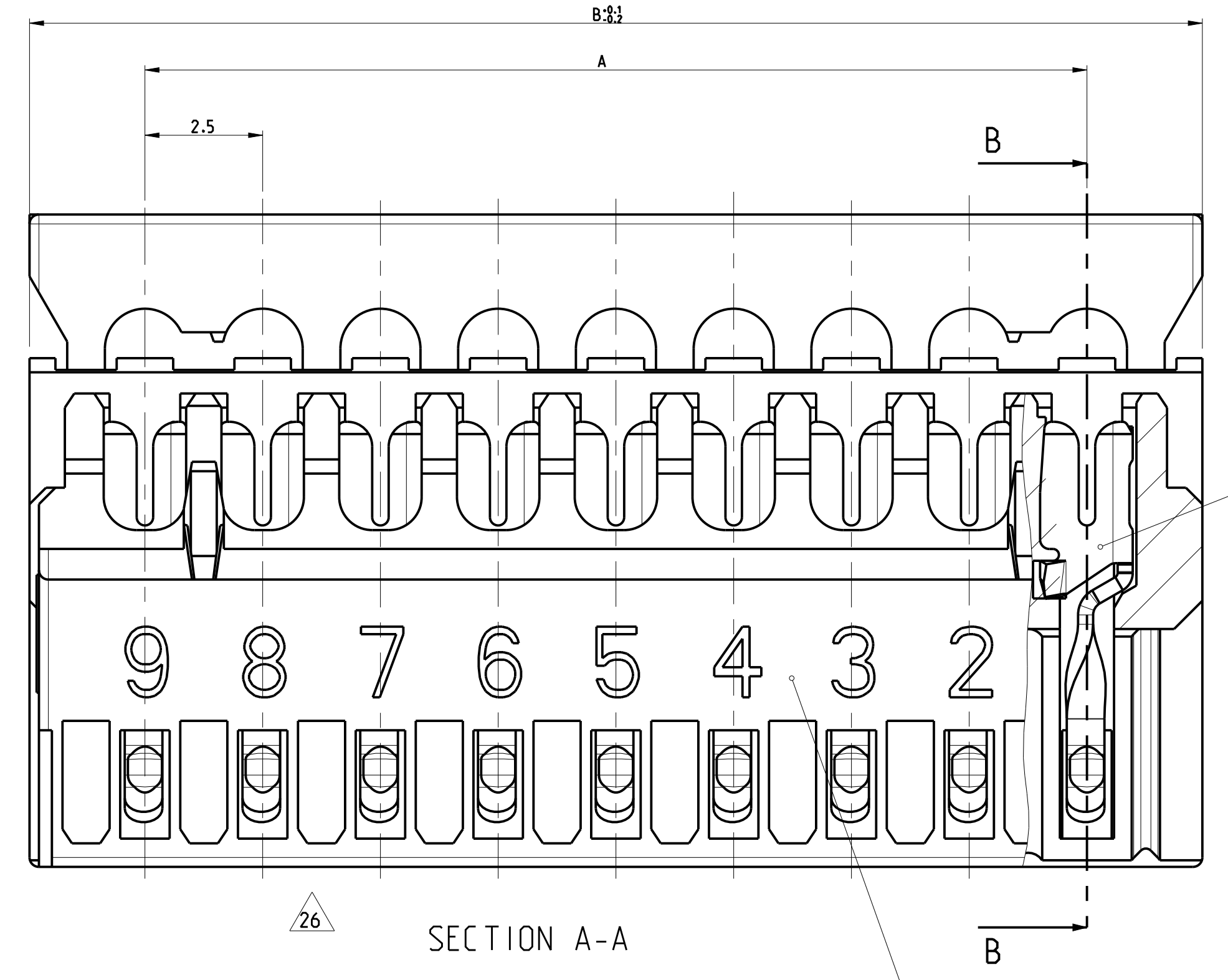
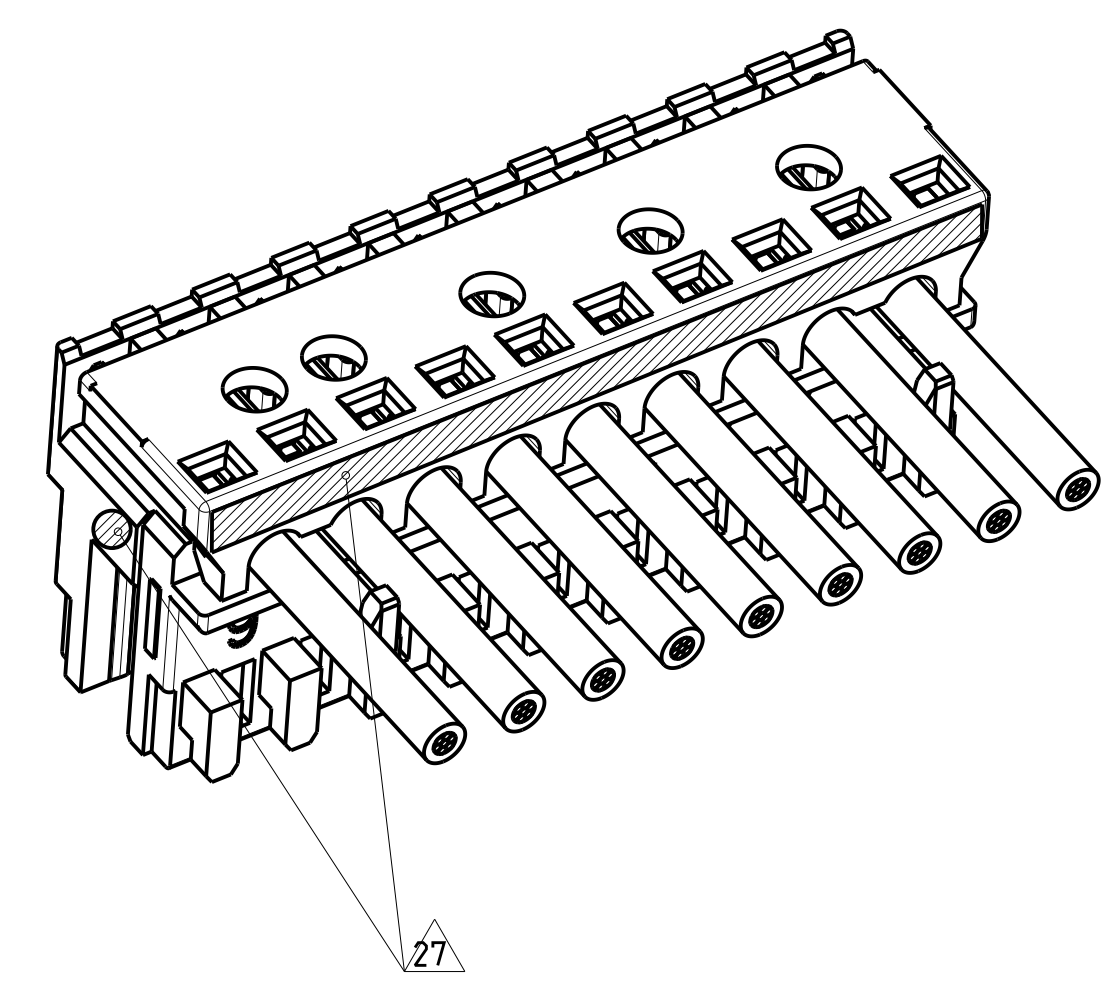


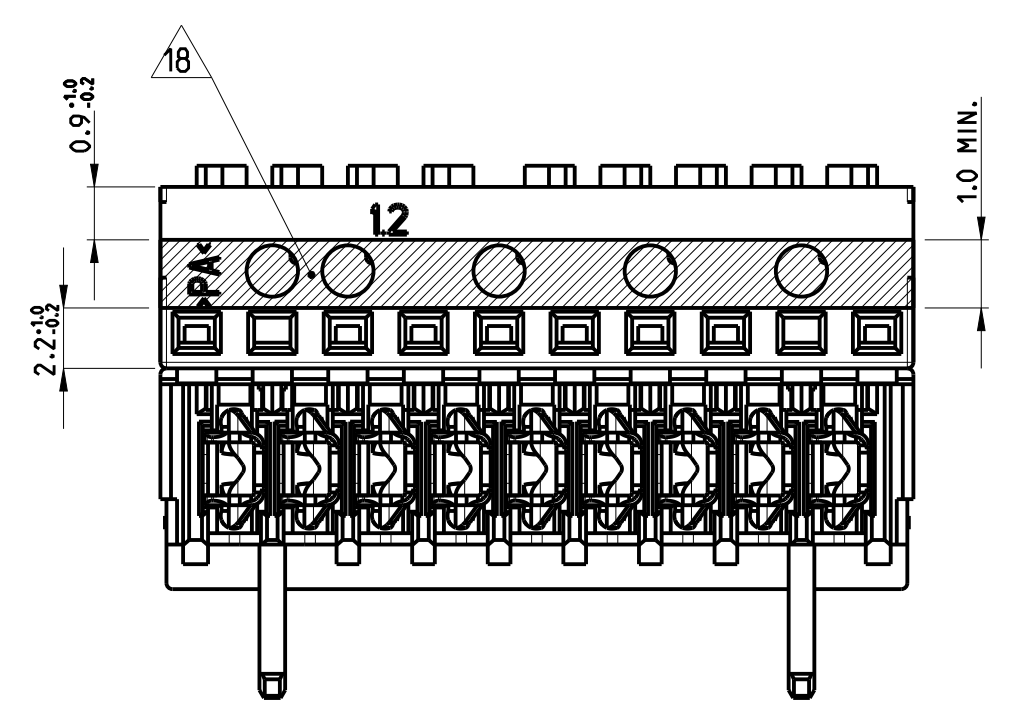
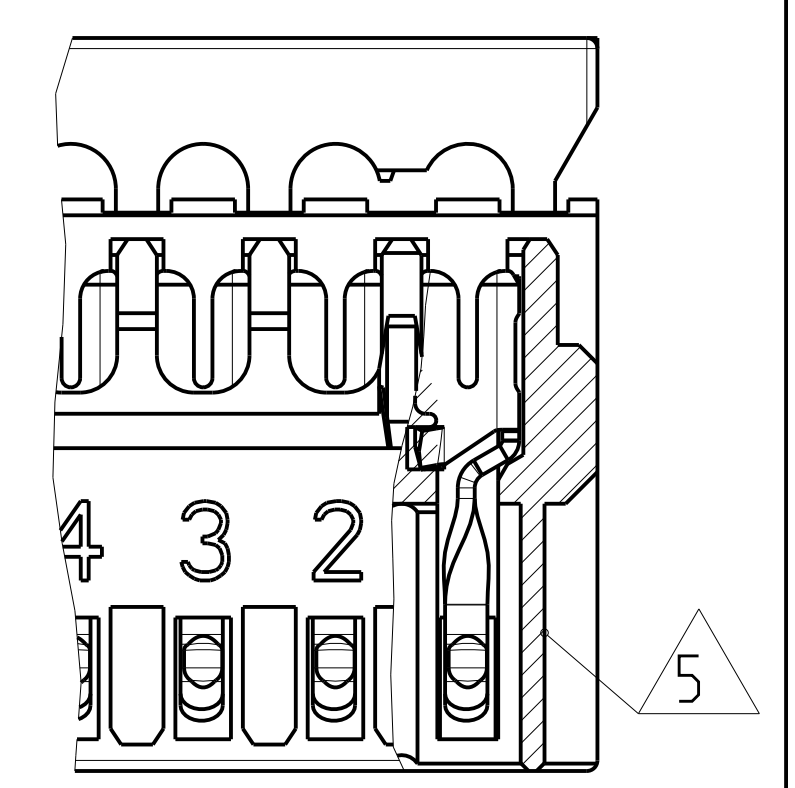
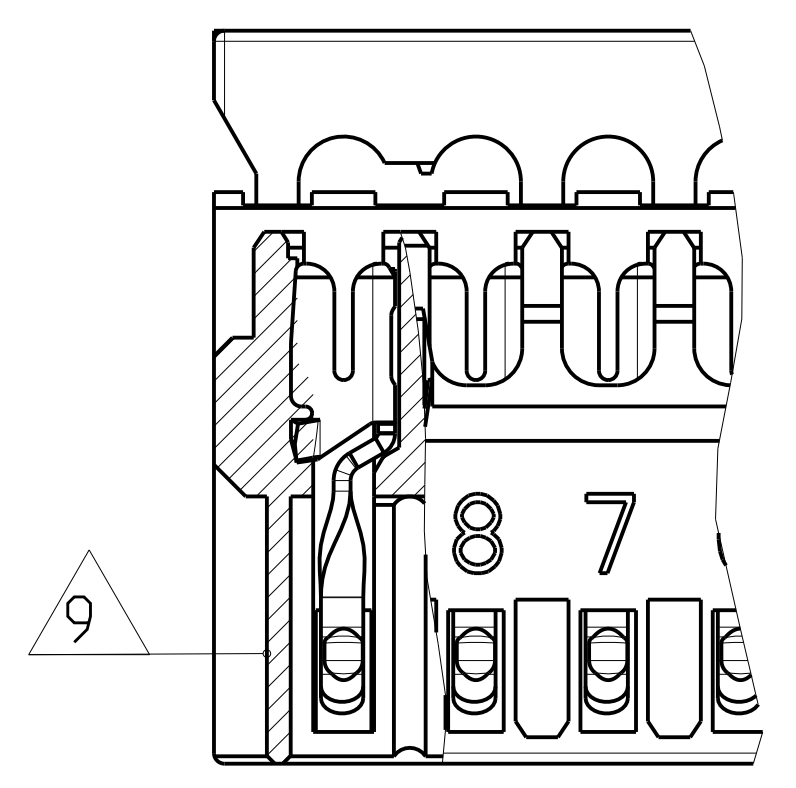
LOC	DIST	REVISIONS					
		P	LTR	DESCRIPTION	DATE	DWN	APVD
D61	-	ECR-20-100430			09SEP2020	LZ	FL
D62	-	ECR-20-100576			21OCT2020	PJ	FL
D63	-	ECR-20-100617			05NOV2020	WW	FL
D64	-	ECR-20-100905			27NOV2020	SM	FL



SECTION B-B



- 27 DOT OR STRIPE IN ORANGE COLOR WHERE SHOWN. PRESENT ON THE PARTS PRODUCED IN TE COLLEGO ONLY
- 26 DIMENSION AVAILABE ONLY FOR PART X-2304525-X, X-2304526-X.
- 25 WITH SPECIAL CHAIN FEATURE
- 24 SIDE KEYING ON LAST CAVITY. THICK-1.5mm
- 23 -
- 19 SIDE KEYING. THICK. ON CAVITY No.1
- 18 COLOR STRIP ON COVER OF HOUSING. NOT THE COLOR OF HOUSING.
- 17 SLOT FOR KEYING. SLIM. BETWEEN POSITION
- 16 SLOT FOR KEYING. THICK. BETWEEN POSITION
- 15 KEYING. THICK. BETWEEN POSITION
- 14 COLOR CODE
- 13 TE LOGO
- 12 PRELIMINARY PART NOT RELEASED FOR PRODUCTION
- 11 KEYING. SLIM. BETWEEN POSITION
- 10 SLOT FOR SIDE KEYING. ON LAST CAVITY
- 9 SIDE KEYING. SLIM. ON LAST CAVITY
- 8 INCLUSIVE COPPER LOADING
- 7 PCB PREFERABLY CHAMFERED
- 6 SLOT FOR SIDE KEYING. ON CAVITY NO 1
- 5 SIDE KEYING. ON CAVITY NO. 1
- 4 WIRE RANGE: 0.22-0.35mm² SEE APPLICATION SPEC. 114-18467
- 3 IEC 60695-2-11 / IEC 60335-1 GLOW WIRE TEST 750 °C WITHOUT FLAME
- 2 MATING PART: PCB (WITH FRAMES ACC. RAST 2.5 E.G. PN 964 575/576) TAB HEADER (FOR EXAMPLE: X-1971817/818-Y)
- 1 KEYING RIBS: CUTTING WITH TERMINATION MACHINE POSSIBLE



THIS DRAWING IS A CONTROLLED DOCUMENT.

DIMENSIONS:	TOLERANCES UNLESS OTHERWISE SPECIFIED:	DWN: H. Karabiyik 24MAY2002	NAME: AMP DUOPLUG 2.5 MARK II FEMALE CONNECTOR 2-20 POSITION
mm	0 PLC ±0.2 1 PLC ±0.2 2 PLC ±0.2 3 PLC ±0.2 4 PLC ±0.2 ANGLES ±°	CHK: B. Schnaubel 24MAY2002	SIZE: 114-18467
MATERIAL:	FINISH:	APVD: T. Klenner 24MAY2002	RESTRICTED TO: -
-	-	PRODUCT SPEC: 108-18785	SCALE: 10:1
-	-	APPLICATION SPEC: 114-18467	SHEET 1 OF 4
-	-	WEIGHT: -	REVISION: 064
-	-	Customer Drawing	

LOC	DIST	REVISIONS					
		P	LTR	DESCRIPTION	DATE	DWN	APVD
A1	-			SEE SHEET 1			

GWEPT 750°C NO FLAME & UL94-V2, TIN PLATED VERSION (2-9 POSITION)									
	9	20	24.9						5-1534796-9
	9	20	24.9						2-1534796-9 ¹²
	9	20	24.9						3-1534796-9
	9	20	24.9						4-1534796-9 ¹²
Brown	8	17.5	22.4						9-1534796-8
	8	17.5	22.4						8-1534796-8
	8	17.5	22.4						7-1534796-8
	8	17.5	22.4						6-1534796-8
	8	17.5	22.4						5-1534796-8
	8	17.5	22.4						3-1534796-8
	8	17.5	22.4						2-1534796-8
	7	15	19.9						7-1534796-7
BLUE	7	15	19.9						6-1534796-7
BLUE	7	15	19.9						4-1534796-7 ¹²
	7	15	19.9						5-1534796-7 ¹²
	7	15	19.9						3-1534796-7
	6	12.5	17.4						9-1534796-6
	6	12.5	17.4						8-1534796-6 ¹²
	6	12.5	17.4						7-1534796-6 ¹²
	6	12.5	17.4						6-1534796-6
BLUE	6	12.5	17.4						2-1534796-6
	6	12.5	17.4						5-1534796-6
	6	12.5	17.4						4-1534796-6
	6	12.5	17.4						3-1534796-6
RED	5	10	14.9						8-1534796-5
	5	10	14.9						9-1534796-5
	5	10	14.9						4-1534796-5 ¹²
GREEN	5	10	14.9						7-1534796-5
BROWN	5	10	14.9						6-1534796-5
	5	10	14.9						5-1534796-5 ¹²
	5	10	14.9						3-1534796-5
BROWN	5	10	14.9						0-1534796-5 ¹²
GREEN	4	7.5	12.4						1-2825353-4
	4	7.5	12.4						0-2825353-4 ¹²
RED	4	7.5	12.4						9-1534796-4
BLACK	4	7.5	12.4						8-1534796-4
BLACK	4	7.5	12.4						2-1534796-4 ¹²
BLACK	4	7.5	12.4						5-1534796-4
	4	7.5	12.4						6-1534796-4
	4	7.5	12.4						1534796-4 ¹²
	4	7.5	12.4						7-1534796-4 ¹²
	4	7.5	12.4						4-1534796-4
	4	7.5	12.4						3-1534796-4
RED	3	5	9.9						2-1534796-3
	3	5	9.9						8-1534796-3 ¹²
RED	3	5	9.9						9-1534796-3
	3	5	9.9						6-1534796-3
	3	5	9.9						7-1534796-3
	3	5	9.9						4-1534796-3 ¹²
	3	5	9.9						3-1534796-3
	2	2.5	7.4						1-1534796-2
	2	2.5	7.4						1534796-2

GWEPT 750°C NO FLAME & UL94-V2, TIN PLATED VERSION (10-20 POSITION)									
	20	47.5	52.4						3-1534797-0 ¹²
	19	45	49.9						5-1534797-9 ¹²
	19	45	49.9						4-1534797-9
	19	45	49.9						3-1534797-9
	16	37.5	42.4						3-1534797-6
	15	35	39.9						3-1534797-5
	14	32.5	37.4						3-1534797-4
	13	30	34.9						3-1534797-3
	12	27.5	32.4						5-1534797-2 ¹²
	12	27.5	32.4						4-1534797-2
	12	27.5	32.4						3-1534797-2
	12	27.5	32.4						2-1534797-2
	11	25	29.9						7-1534797-1
	11	25	29.9						6-1534797-1 ¹²
	11	25	29.9						5-1534797-1 ¹²
	11	25	29.9						4-1534797-1
	11	25	29.9						3-1534797-1
	10	22.5	27.4						6-1534796-0
	10	22.5	27.4						4-1534796-0 ¹²
	10	22.5	27.4						3-1534796-0
	10	22.5	27.4						7-1534796-0

COLOR CODE ¹⁴	POS.	DIM A	DIM B	²⁴ KEYING	¹⁹ KEYING	¹⁵ KEYING	¹¹ KEYING	⁹ KEYING	⁵ KEYING	TE P/N ²⁰
2	SEE TABLE			CONTACT						CuSn TINNED
1	SEE TABLE			HOUSING						HIGH TEMP PLASTIC ³ NATUR
SL NO	PN	DESCRIPTION		MATERIAL		COLOUR/FINISH				

COLOR CODE ¹⁴	POS.	DIM A	DIM B	²⁴ KEYING	¹⁹ KEYING	¹⁵ KEYING	¹¹ KEYING	⁹ KEYING	⁵ KEYING	TE P/N ²⁰
2	SEE TABLE			CONTACT						CuSn TINNED
1	SEE TABLE			HOUSING						HIGH TEMP PLASTIC ³ NATUR
SL NO	PN	DESCRIPTION		MATERIAL		COLOUR/FINISH				

THIS DRAWING IS A CONTROLLED DOCUMENT.

DWN: H. Karabiyik 24MAY2002
 CHK: B. Schnaubel 24MAY2002
 APVD: T. Klenner 24MAY2002

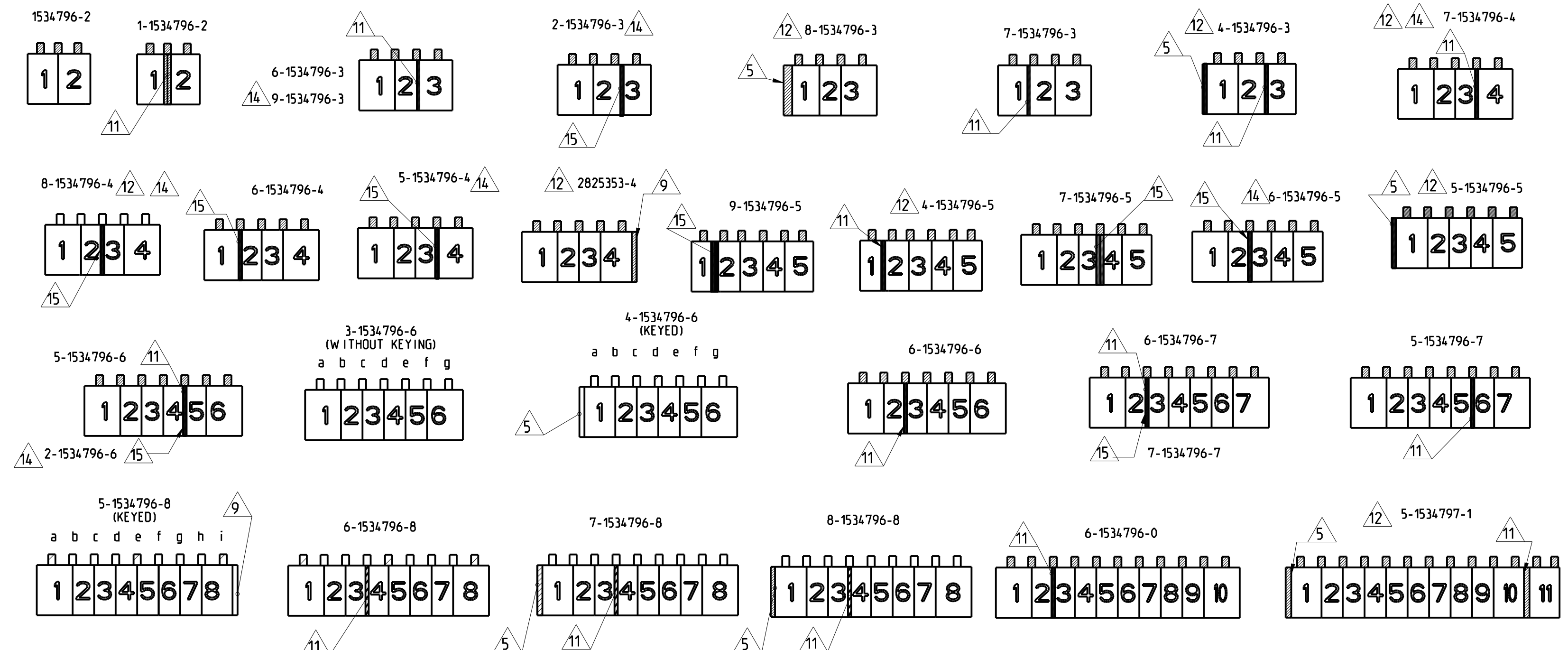
STE TE Connectivity
 NAME: AMP DUOPLUG 2.5 MARK II FEMALE CONNECTOR 2-20 POSITION
 PRODUCT SPEC: 108-18785
 APPLICATION SPEC: 116-18667
 WEIGHT: -
 SCALE: 10:1 SHEET 2 OF 4

DIMENSIONS: mm
 TOLERANCES UNLESS OTHERWISE SPECIFIED:
 0 PLC ±0.2
 1 PLC ±0.2
 2 PLC ±0.2
 3 PLC ±0.2
 4 PLC ±0.2
 ANGLES ±1°
 FINISH: -

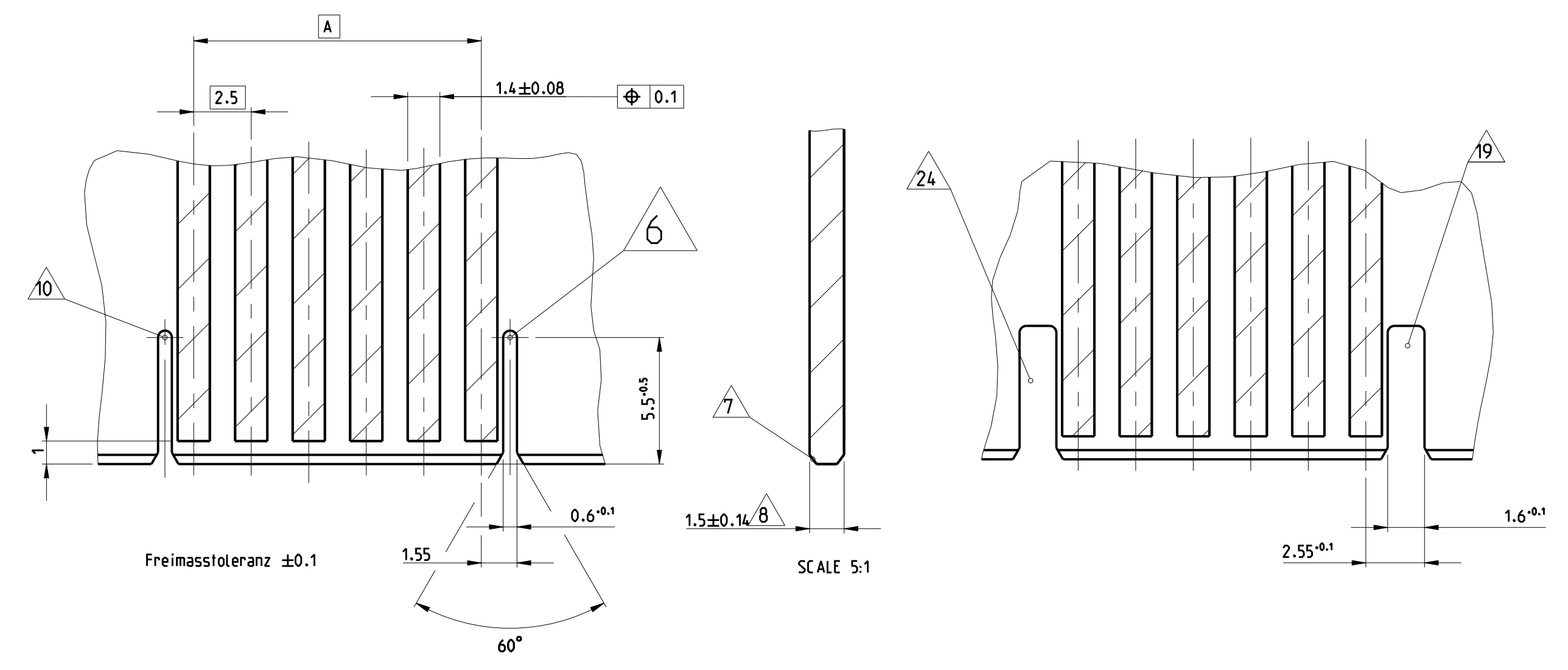
CUSTOMER DRAWING
 SIZE: A1 CAGE CODE: 00779 DRAWING NO: C=1534796 RESTRICTED TO: -
 4805 (3/11)

LOC	DIST	REV	DESCRIPTION	DATE	BY	APPV
A1	-	-	SEE SHEET 1	-	-	-

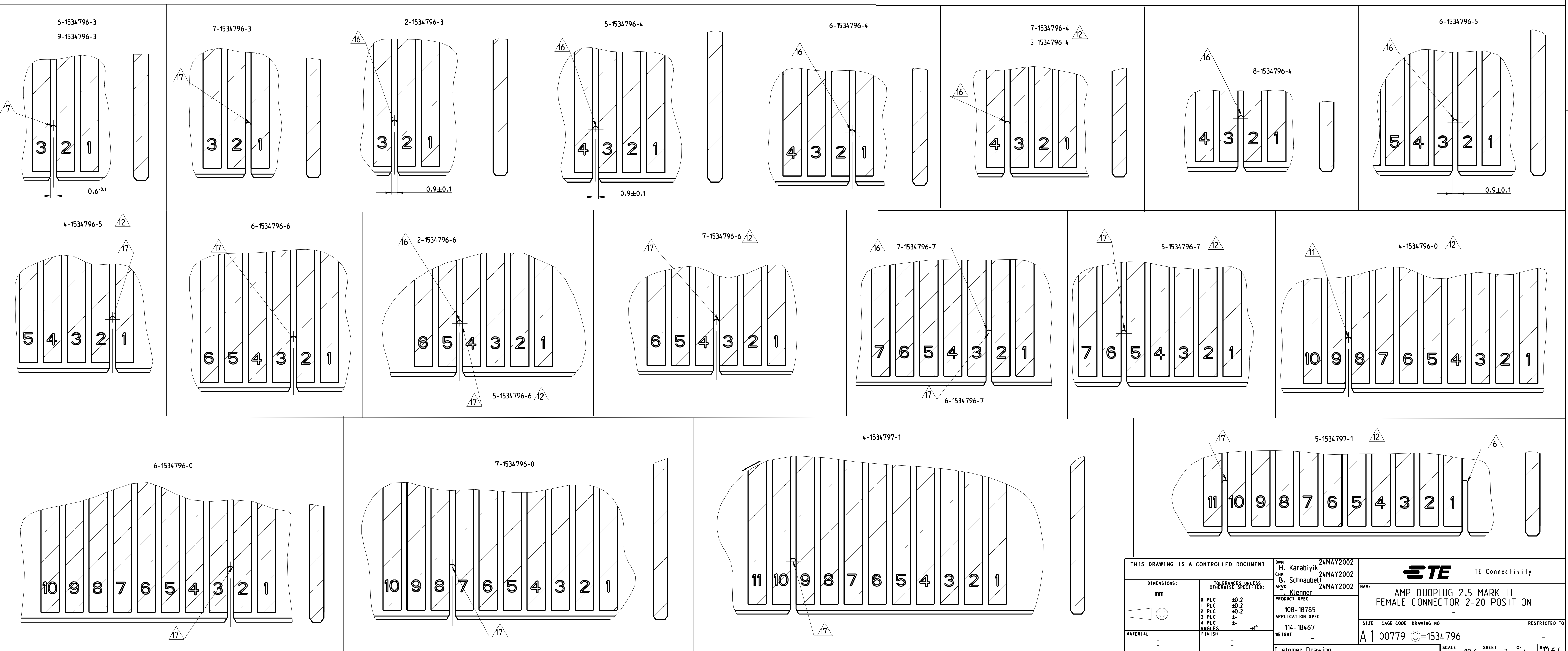
KEYING PLAN (EXAMPLES)
 Kodierschema (Beispiele)



PCB LAYOUT KEYED / CONNECTED ONLY WITH ADDITIONAL FRAME
 Leiterplattenanschluss kodiert / nur in Verbindung mit zusätzlichem Rahmen



PCB LAYOUT FOR KEYING BETWEEN POSITION

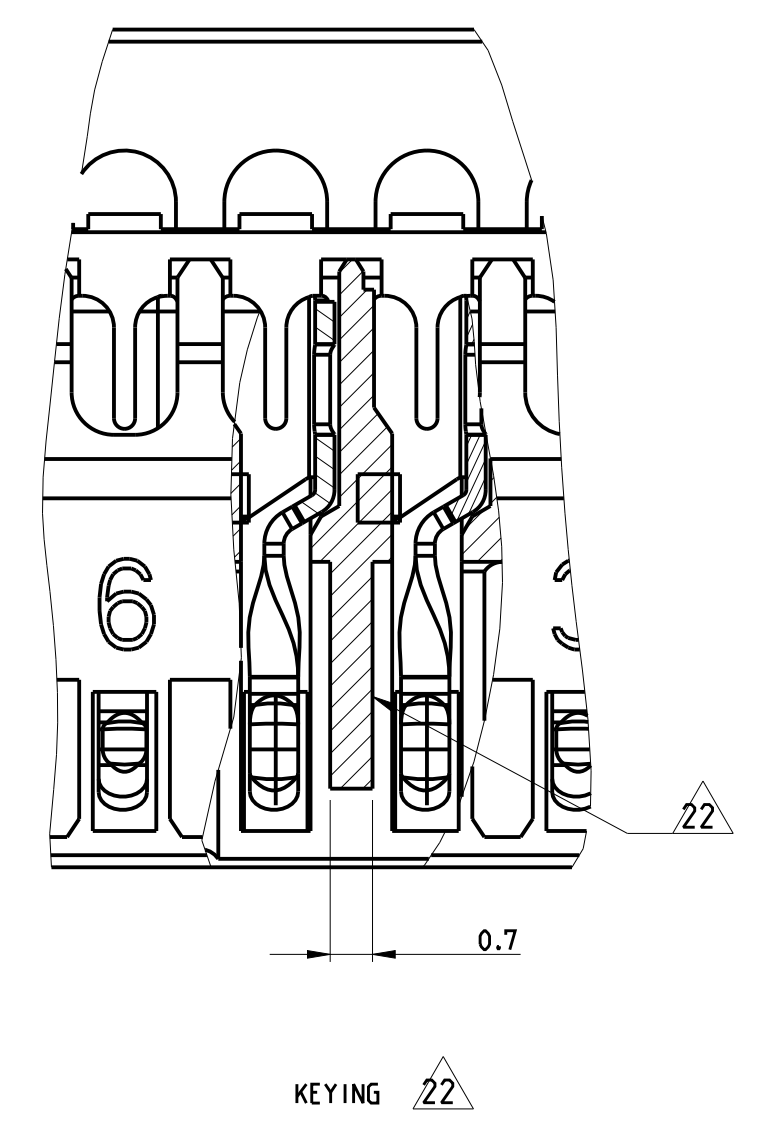
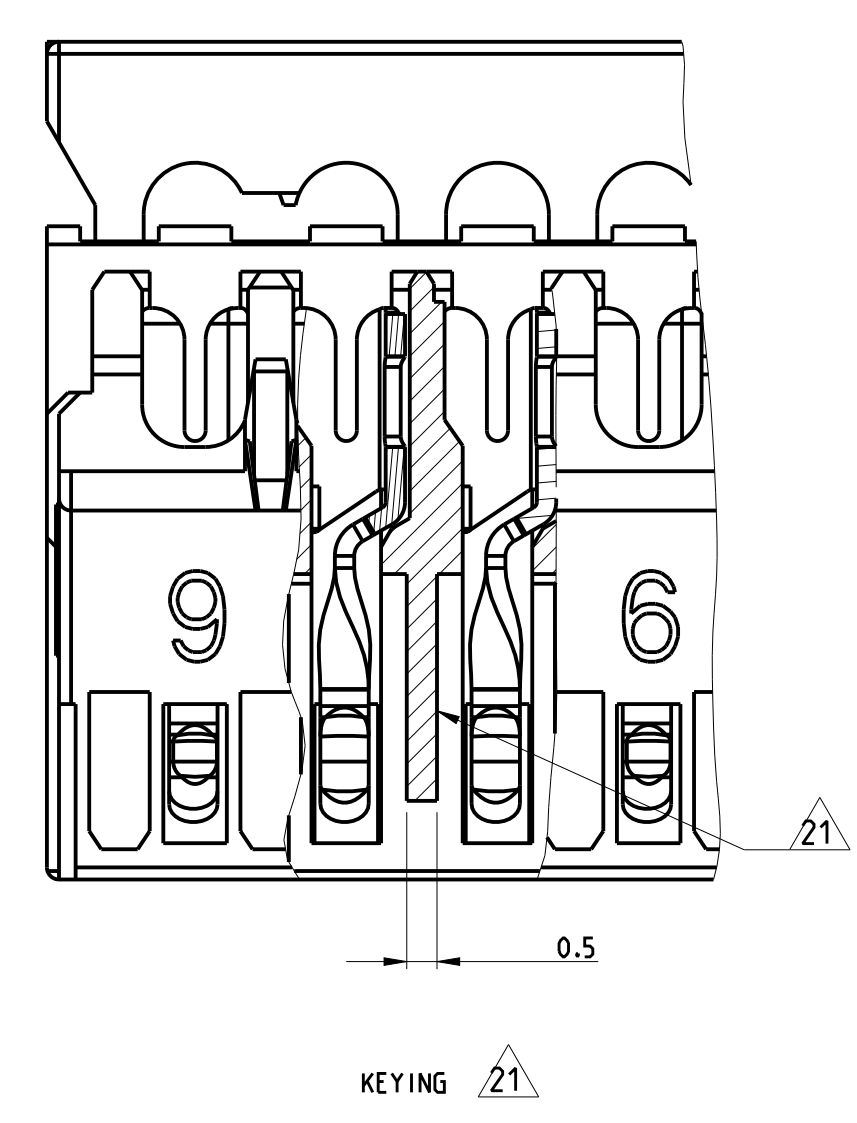


THIS DRAWING IS A CONTROLLED DOCUMENT.

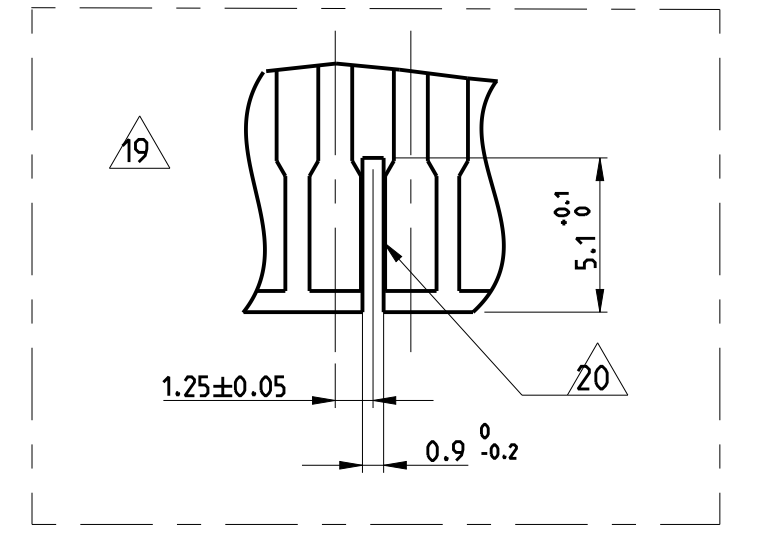
DIMENSIONS:	TOLERANCES UNLESS OTHERWISE SPECIFIED:	OWN: H. Karabiyik 24MAY2002	NAME: AMP DUOPLUG 2.5 MARK II FEMALE CONNECTOR 2-20 POSITION
mm	0 PLC ±0.2	CHK: B. Schnaubel 24MAY2002	SIZE: CAGE CODE DRAWING NO. RESTRICTED TO
	1 PLC ±0.2	APPV: T. Klenner 24MAY2002	A1 00779 C=1534796
	2 PLC ±0.2		SCALE: 10:1 SHEET 3 OF 4
	3 PLC ±0.2		Customer Drawing
	4 PLC ±0.2		
	ANGLES ±°		
	FINISH ±*		

STE TE Connectivity

LOC	DIST	REVISIONS					
		P	LTR	DESCRIPTION	DATE	DWN	APVD
A1	-	-	-	SEE SHEET 1	-	-	-



- 22 KEYING. SPECIAL THICK. BETWEEN POSITION
- 21 KEYING. SPECIAL THIN. BETWEEN POSITION
- 20 SLOT FOR KEYING SPECIAL. BETWEEN POSITION
- 19 RECOMMENDED PCB CUTOFF DIMENSION FOR THE KEYING SPECIAL. BETWEEN POSITION



GWEPT 750°C NO FLAME & UL94-V0. TIN PLATED VERSION										
	14	32.5	37.4							2304526-4 12
	12	27.5	32.4							2304526-2
	10	22.5	27.4							1-2304525-0
	9	20	24.9	-	-	-	-			3-2304525-9
Blue	8	17.5	22.4	-	-	-	-			2-2304525-8
	8	17.5	22.4	-	-	-	-			1-2304525-8
Brown	8	17.5	22.4	-	-	-	2/3			2304525-8
	7	15	19.9	-	-	-	-			2304525-7
Black	6	12.5	17.4	-	-	-	-			4-2304525-6
GREEN	6	12.5	17.4	-	-	-	1/2			3-2304525-6
Red	6	12.5	17.4	-	-	-	2/3			2-2304525-6
	6	12.5	17.4	-	-	-	-			1-2304525-6
Blue	6	12.5	17.4	-	-	-	4/5			2304525-6
	5	10	14.9	4/5						5-2304525-5
	5	10	14.9		1/2	-	-			4-2304525-5
Green	5	10	14.9	-	-	-	3/4			2-2304525-5
Brown	5	10	14.9	-	-	-	2/3			1-2304525-5
	5	10	14.9	-	-	-	-			2304525-5
Black	4	7.5	12.4	-	3/4	-	-			4-2304525-4
Blue	4	7.5	12.4	-	-	-	-			3-2304525-4
	4	7.5	12.4	-	-	-	-			2-2304525-4
Brown	4	7.5	12.4	-	-	-	1/2			1-2304525-4
Black	4	7.5	12.4	-	-	-	3/4			2304525-4
Red	3	5	9.9		2/3					3-2304525-3
	3	5	9.9					X		2-2304525-3 12
	3	5	9.9	-	-	-	-			1-2304525-3
Black	3	5	9.9	-	-	1/2	-			2304525-3
Color Code 14	POS. Polzahl	DIM A	DIM B	11 KEYING	15 KEYING	22 KEYING	21 KEYING	5 KEYING		PN Bestell-Nr. 25
2	SEE TABLE	CONTACT		CuSn		TINNED				
1		HOUSING		HIGH TEMP PLASTIC 3		NATUR				
SL NO	PN	DESCRIPTION		MATERIAL		COLOUR/FINISH				

THIS DRAWING IS A CONTROLLED DOCUMENT. DWN H. Karabiyik 24MAY2002
 CHK B. Schnaubel 24MAY2002
 APVD T. Klenner 24MAY2002

STE TE Connectivity

NAME AMP DUOPLUG 2.5 MARK II FEMALE CONNECTOR 2-20 POSITION

PRODUCT SPEC 108-18785
 APPLICATION SPEC 116-18667

SIZE CAGE CODE DRAWING NO RESTRICTED TO
 A1 00779 C-1534796 -

MATERIAL - FINISH - WEIGHT - Customer Drawing SCALE 10:1 SHEET 4 OF 4