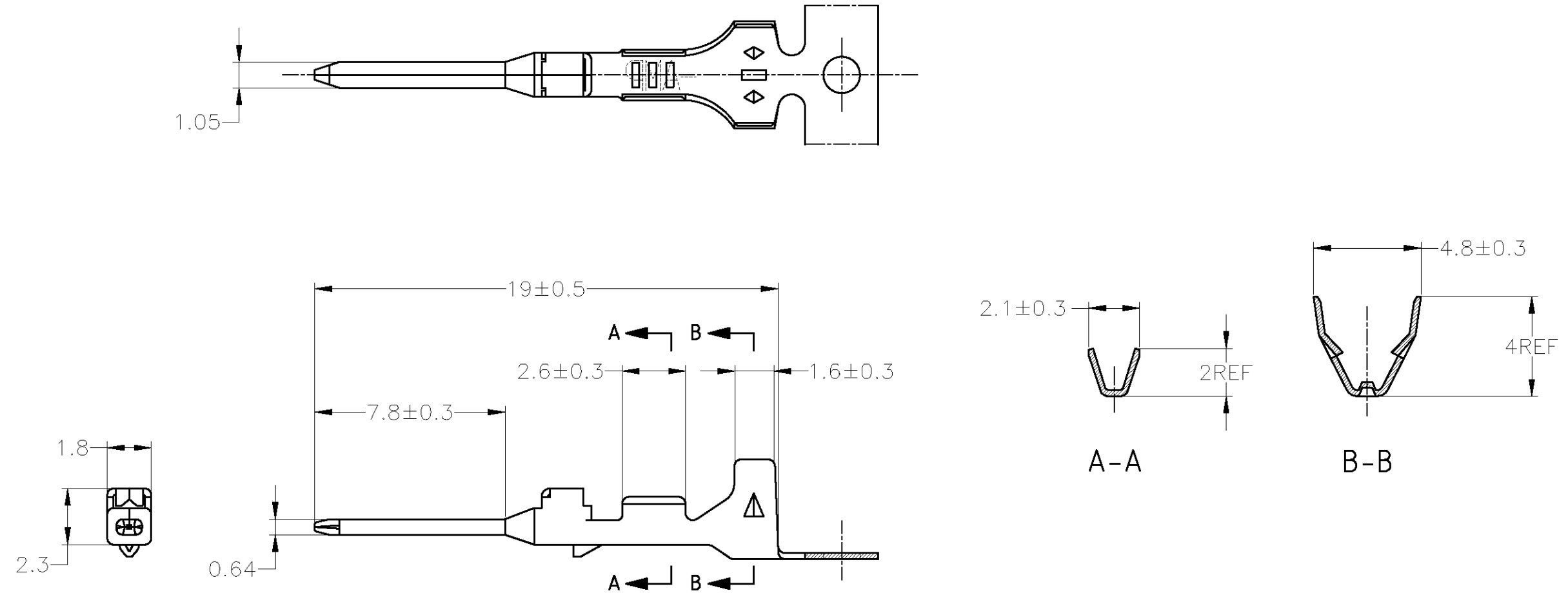


THIS DRAWING IS UNPUBLISHED. RELEASED FOR PUBLICATION  
 © COPYRIGHT - By - ALL RIGHTS RESERVED.

LOC	DIST	REVISIONS					
J	-	P	LTR	DESCRIPTION	DATE	DWN	APVD
		C4	REVISED	ECR-13-017347	07NOV2013	TS	KB

-1: AS SHOWN  
 本図



- 1. 相手側端子型番 : 173681
- 2. パラ状端子型番 : 175063

- 1. MATING RECEPTACLE NUMBER; 173681
- 2. LOOSE PIECE NUMBER: 175063

TOLERANCE UNLESS OTHERWISE SPECIFIED: 一般公差

0 < x ≤ 10	: ±0.2
10 < x ≤ 30	: ±0.25
30 < x ≤ 100	: ±0.3
ANGLE ; 角度	: ±3°

THIS DRAWING IS A CONTROLLED DOCUMENT.		DWN M.SUGAWARA 10JAN07	TE Connectivity													
DIMENSIONS: 単位: 耗 mm		CHK K.BETSUI 10JAN07														
TOLERANCES UNLESS OTHERWISE SPECIFIED: 一般公差		APVD K.BETSUI 10JAN07	NAME 名称													
<table border="1"> <tr> <td>0 PLC</td> <td>±-</td> </tr> <tr> <td>1 PLC</td> <td>±-</td> </tr> <tr> <td>2 PLC</td> <td>±-</td> </tr> <tr> <td>3 PLC</td> <td>±-</td> </tr> <tr> <td>4 PLC</td> <td>±-</td> </tr> <tr> <td>ANGLES</td> <td>±-</td> </tr> </table>		0 PLC	±-	1 PLC	±-	2 PLC	±-	3 PLC	±-	4 PLC	±-	ANGLES	±-	PRODUCT SPEC 製品規格	040 SERIES TAB CONTACT	
0 PLC	±-															
1 PLC	±-															
2 PLC	±-															
3 PLC	±-															
4 PLC	±-															
ANGLES	±-															
MATERIAL 材料 BRASS THICKNESS 黄銅、板厚: 0.25		APPLICATION SPEC 取付適用規格 114-5108	SIZE A3	CAGE CODE 00779	DRAWING NO 番号 C-173682	RESTRICTED TO -										
FINISH 仕上 PRE-TINNED 錫めっき済		WEIGHT 0.21g	CUSTOMER DRAWING		SCALE 尺度 5:1	SHEET 1 OF 1	REV C4									

# Mouser Electronics

Authorized Distributor

Click to View Pricing, Inventory, Delivery & Lifecycle Information:

[TE Connectivity:](#)

[175063-1](#)