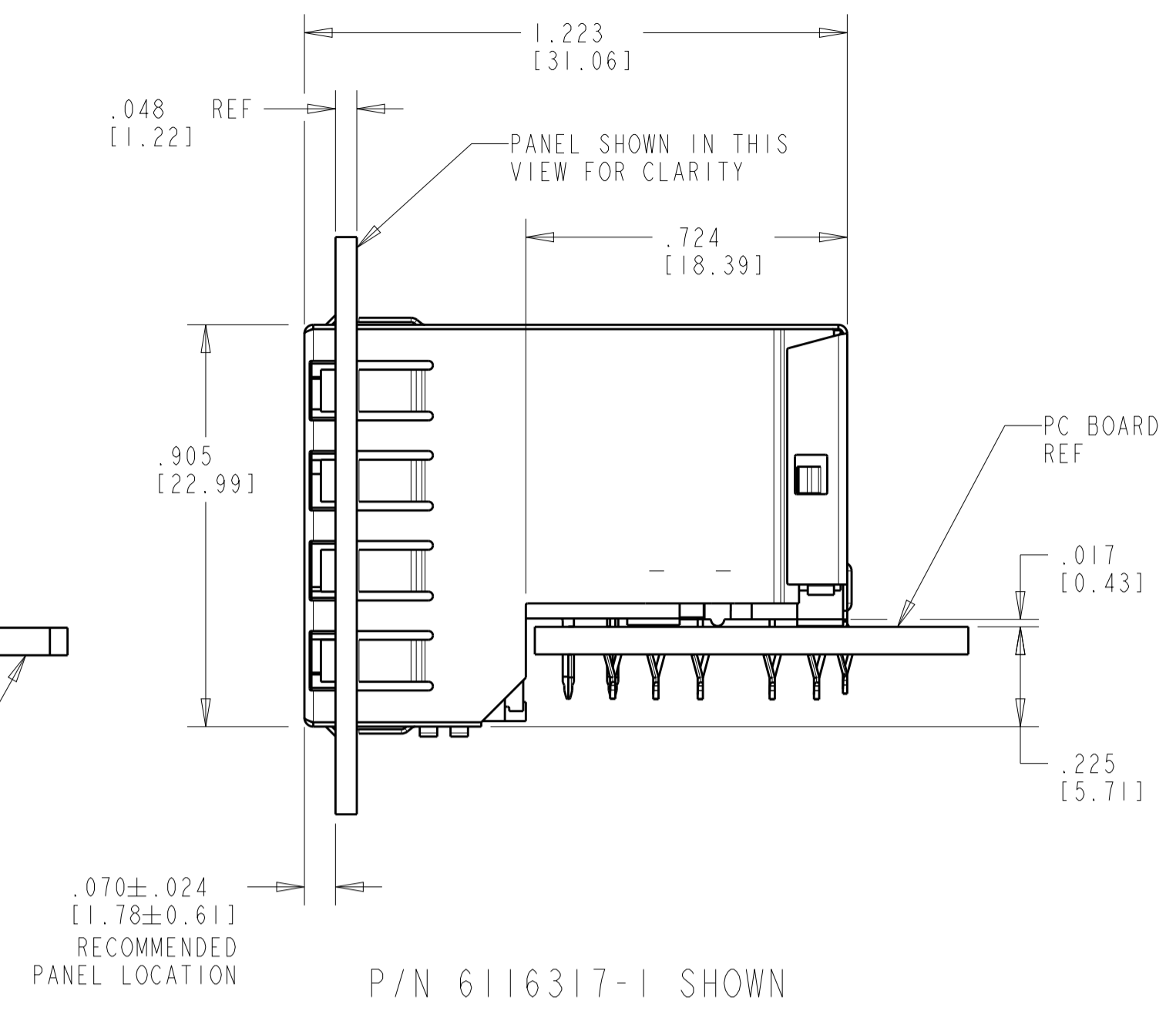
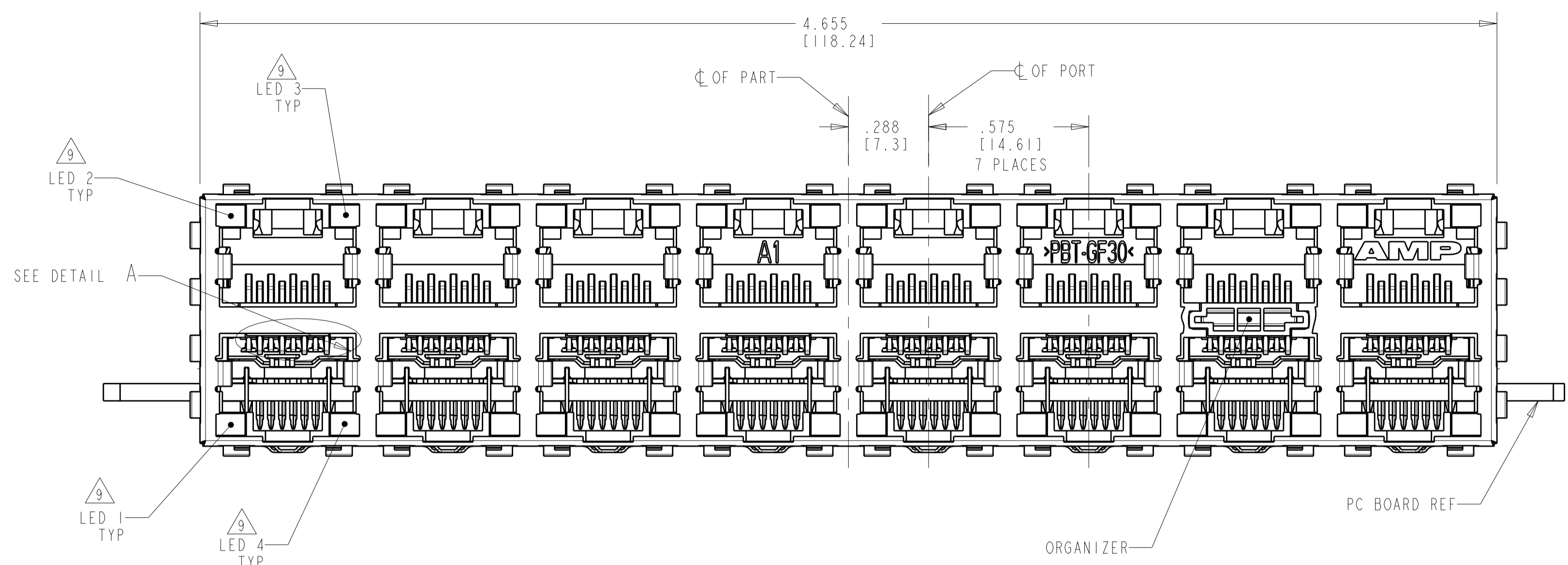
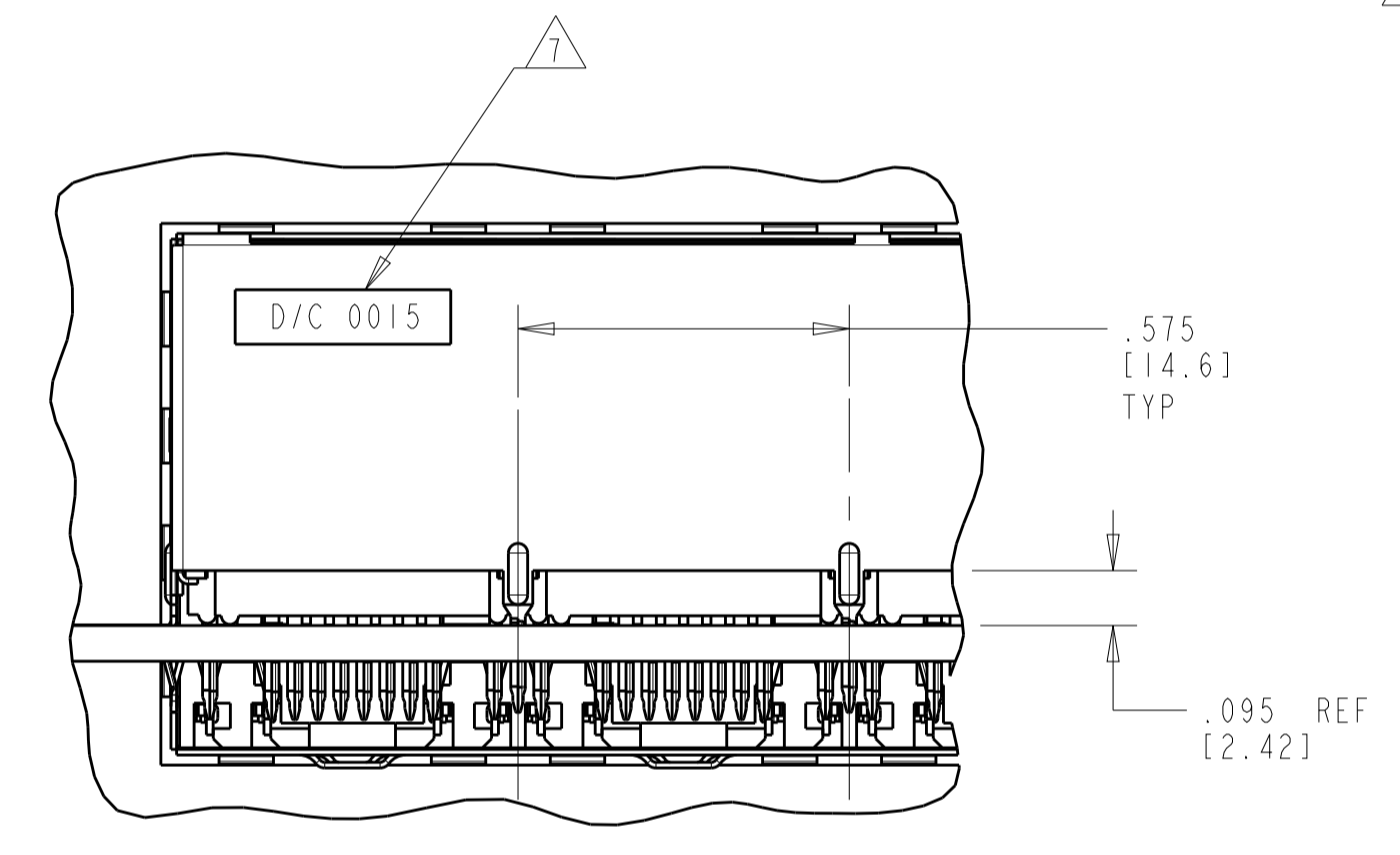
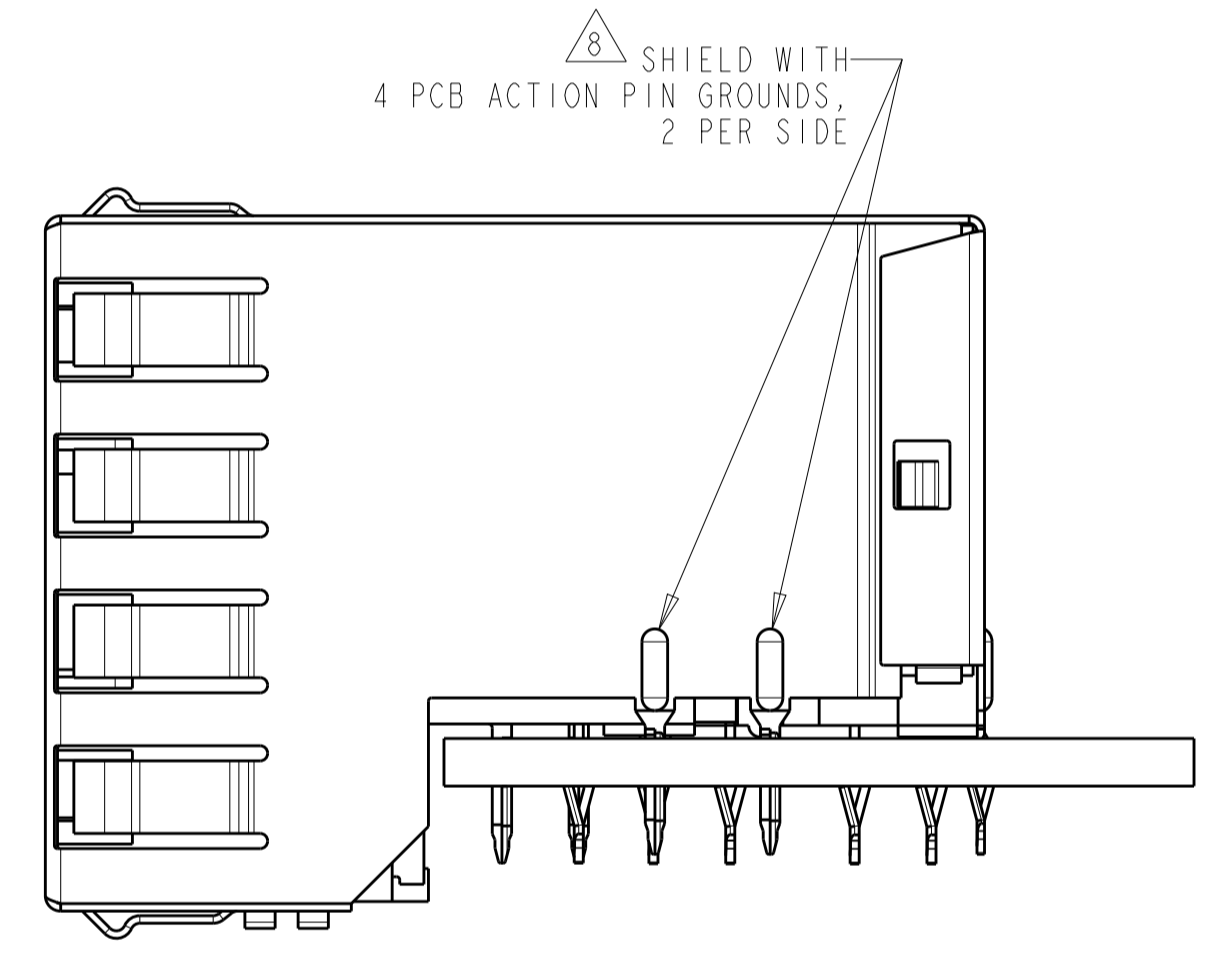
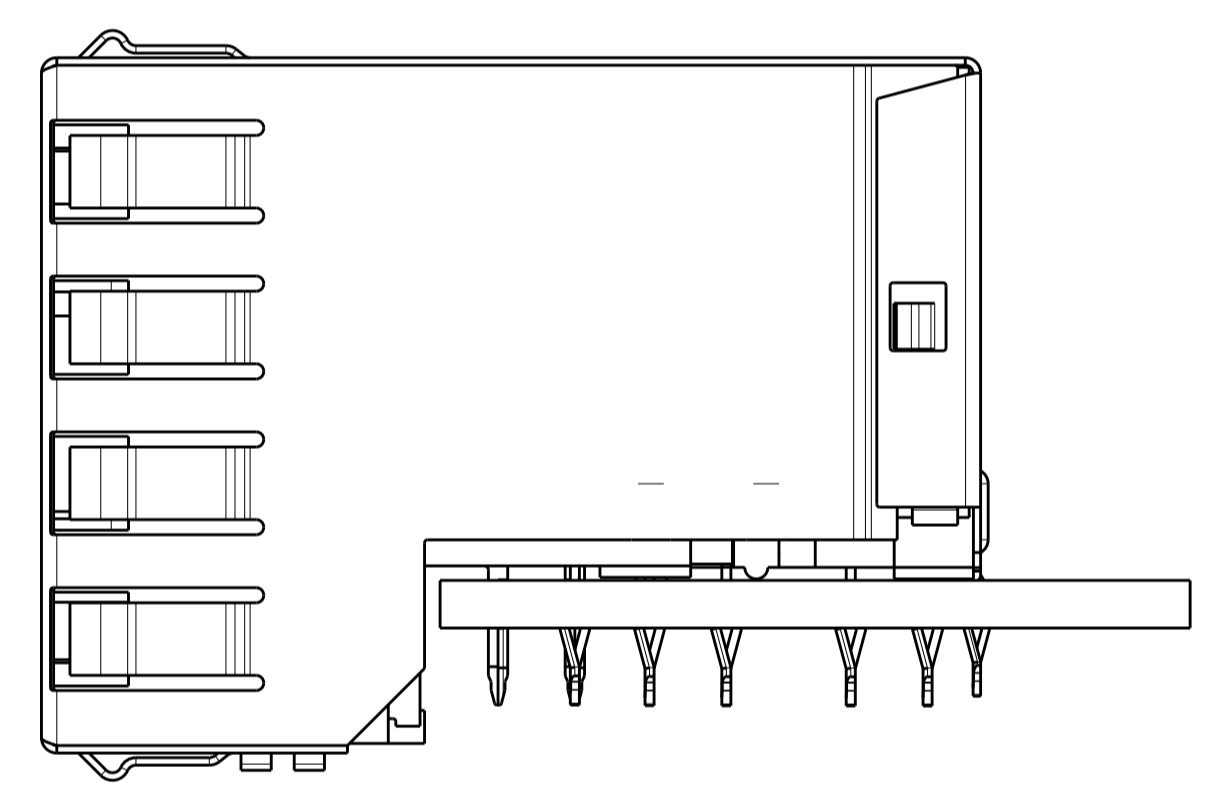


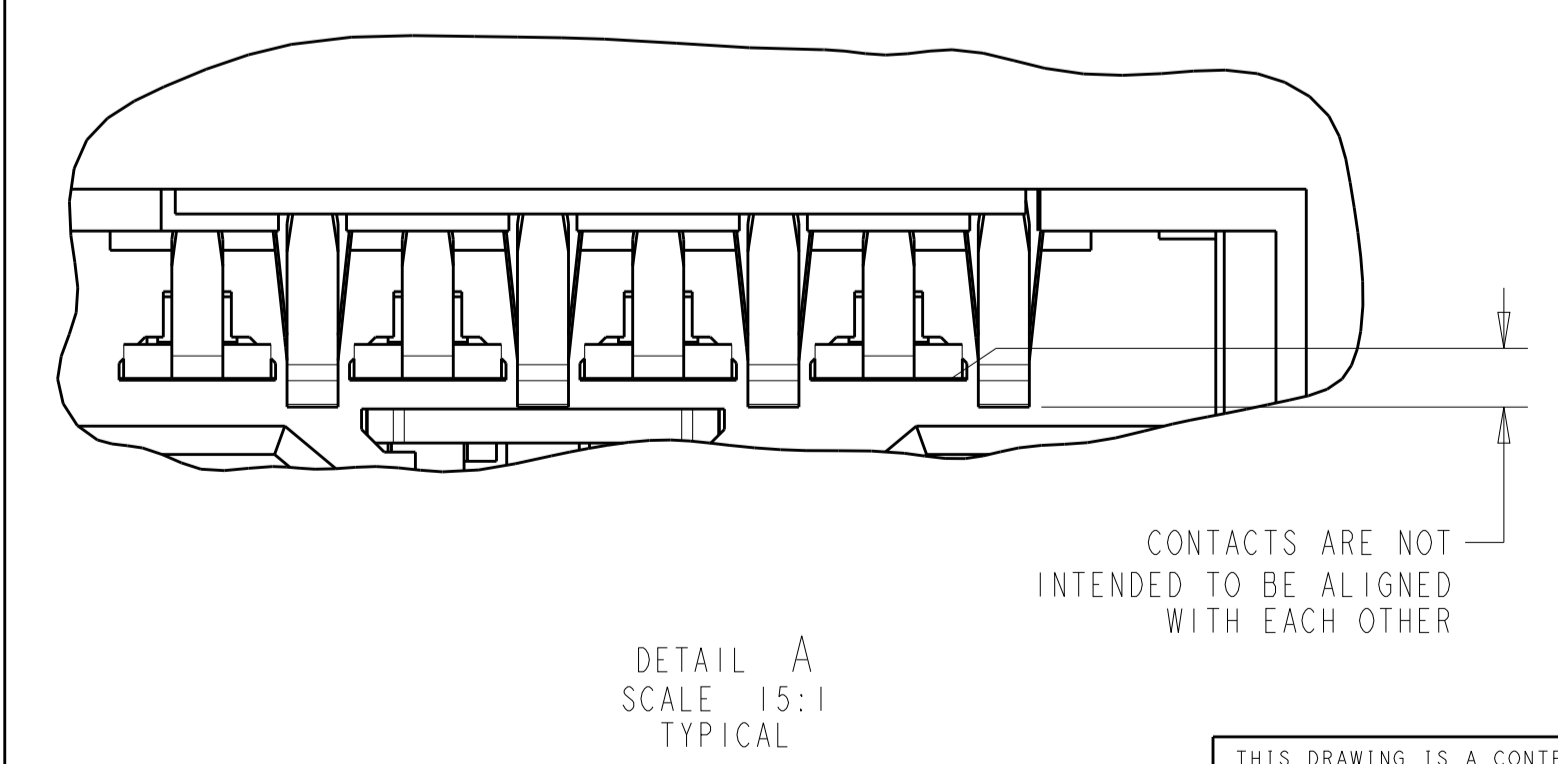
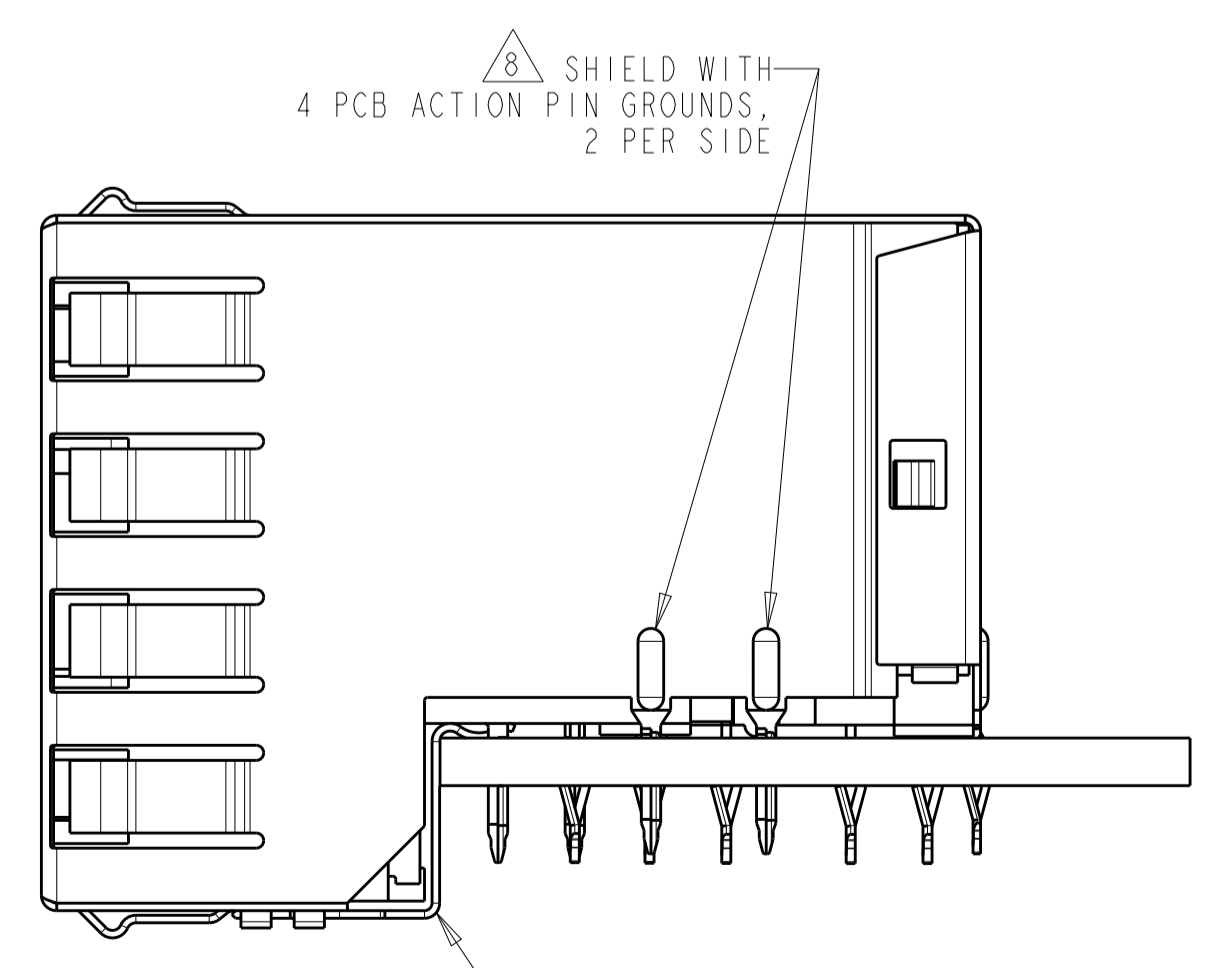
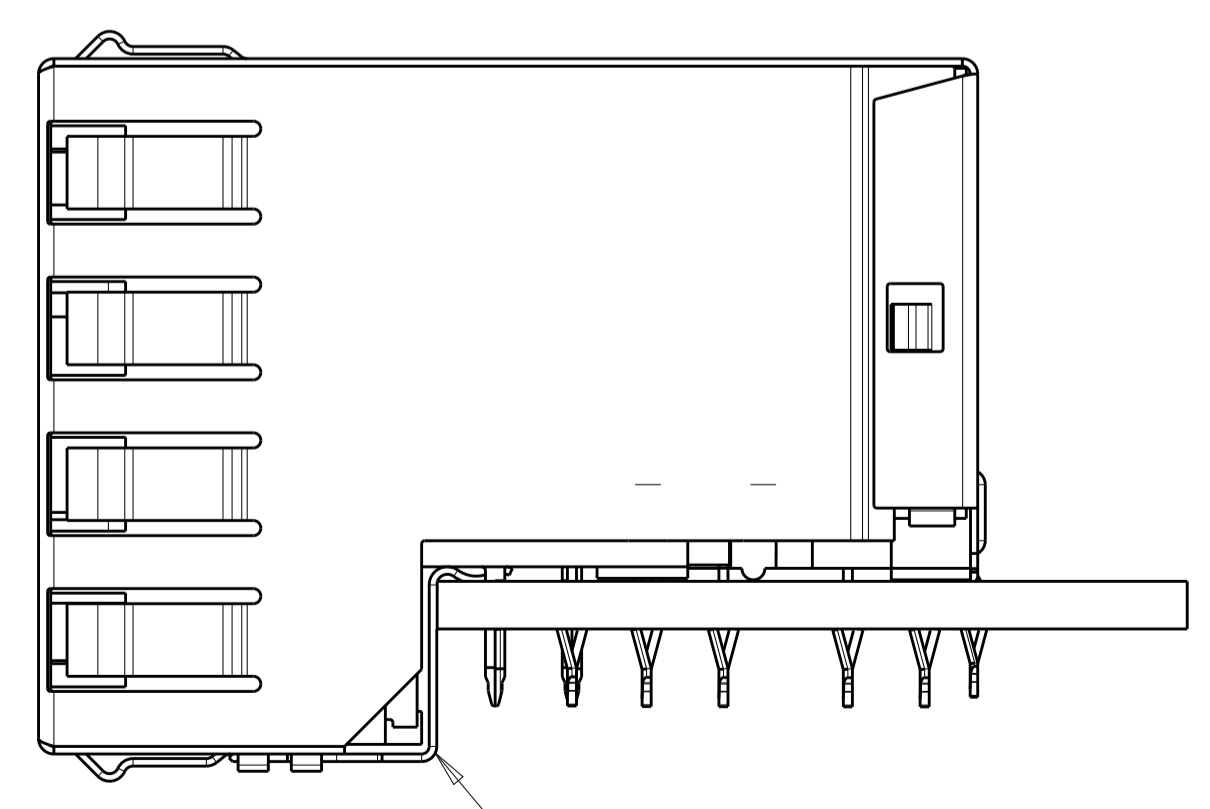
LOC	DIST	REVISIONS					
		P	LTN	DESCRIPTION	DATE	OWN	APVD
AA	22	C2		REVISED PER ECO-11-005033	04MAY11	RK	HMR
		D		ECO-15-006810	22JAN2016	LL	SH



- △ HOUSING: PBT POLYESTER, BLACK, UL 94V-0.
- TERMINALS: 0.30 THICK PHOS BRONZE PLATED WITH 1.27µm MINIMUM THICK HARD GOLD IN LOCALIZED AREA AND 2µm MINIMUM THICK MATTE TIN IN ACTION PIN COMPLIANT PIN TERMINAL AREA OVER 1.27µm MINIMUM THICK NICKEL UNDERPLATE.
- SHIELD: 0.25 THICK COPPER ALLOY PLATED WITH 2.03µm MINIMUM BRIGHT TIN OVER 1.27µm MINIMUM NICKEL.
- GROUND CLIPS: 0.25 THICK TIN COPPER ALLOY PLATED WITH 2.03µm MINIMUM MATTE TIN OVER 1.27µm MINIMUM NICKEL.
- LIGHT EMITTING DIODE (LED): DIFFUSED EPOXY LENS, 12.95 CARBON STEEL WIREFRAME LEADS PLATED WITH 8.89µm TIN/COPPER OVER 2.03µm SILVER OVER 1.02µm COPPER OVER 3.56µm NICKEL OVER 1.02µm COPPER UNDERPLATE.
- LED ACTION PIN COMPLIANT PIN CONTACTS: 0.30 THICK BRASS PLATED WITH 2µm MINIMUM MATTE TIN OVER 1.27µm MINIMUM NICKEL UNDERPLATE.
- 2. JACK CAVITY CONFORMS TO FCC RULES AND REGULATIONS, PART 68 SUBPART F.
- 3. ALL DIMENSIONS ARE NOMINAL UNLESS OTHERWISE SPECIFIED.
- 4. TWO LEDS PER PORT, SIZE .079 X .118, SEE TABLE.
- △ 5. DRILLED HOLE DIA = .040±.001. COPPER THICKNESS = .001-.003. TIN THICKNESS = .0003 MIN.
- △ 6. DATUMS AND BASIC DIMENSIONS ESTABLISHED BY CUSTOMER.
- △ 7. DATE CODE LOCATED ON REAR OF PART APPROXIMATELY AS SHOWN.
- △ 8. THESE FOUR SIDE PCB ACTION PIN GROUNDS AND CORRESPONDING PCB HOLES ARE REQUIRED ONLY ON 6116317-2, 6116317-3, 6116317-5, 6116317-6, 6116317-7, -9 AND 1--0.
- △ 9. SUGGESTED OPERATING CURRENT FOR LEDS IS 20 mA.



RED/GREEN	RED/GREEN	RED/GREEN	RED/GREEN	1-6116317-0
GREEN/YELLOW	GREEN/YELLOW	RED/GREEN	RED/GREEN	6116317-9
GREEN/YELLOW	GREEN/YELLOW	RED/GREEN	RED/GREEN	6116317-8
GREEN	GREEN	YELLOW	YELLOW	6116317-7
YELLOW	YELLOW	GREEN	GREEN	6116317-6
GREEN/YELLOW	GREEN/YELLOW	GREEN/YELLOW	GREEN/YELLOW	6116317-5
GREEN	GREEN	GREEN	GREEN	6116317-4
GREEN	GREEN	GREEN	GREEN	6116317-3
GREEN	GREEN	GREEN	GREEN	6116317-2
GREEN	GREEN	GREEN	GREEN	6116317-1
LED #4 (LOWER-RIGHT)	LED #3 (UPPER-RIGHT)	LED #2 (UPPER-LEFT)	LED #1 (LOWER-LEFT)	PART NO.



8	4	△ 8	1-6116317-0
8	4	△ 8	6116317-9
NONE	NONE		6116317-8
NONE	4	△ 8	6116317-7
NONE	4	△ 8	6116317-6
NONE	4	△ 8	6116317-5
8	NONE		6116317-4
8	4	△ 8	6116317-3
NONE	4	△ 8	6116317-2
NONE	NONE		6116317-1
GROUND CLIPS	SIDE PCB ACTION PIN GNDS		PART NUMBER

THIS DRAWING IS A CONTROLLED DOCUMENT.

OWN: L. VARELA, 23 JUN 2005  
 CHG: J. WESTMAN, 23 JUN 2005  
 APVD: S. FLICKINGER, 23 JUN 2005

DIMENSIONS: INCHES(mm)  
 0 PLC ±  
 1 PLC ±  
 2 PLC ±  
 3 PLC ±.005 (0.13)  
 4 PLC ±.005 (0.13)  
 ANGLES ±

TOLERANCES UNLESS OTHERWISE SPECIFIED:  
 0 PLC ±  
 1 PLC ±  
 2 PLC ±.005 (0.13)  
 3 PLC ±.005 (0.13)  
 4 PLC ±  
 ANGLES ±

MATERIAL: △  
 FINISH: △

TE Connectivity

NAME: STACKED MODULAR JACK ASSEMBLY, 2X8 WITH LEDS, 8 POSITION, SHIELDED PANEL GROUND, OFFSET, CAT 5

SIZE: A1  
 CAGE CODE: 00779  
 DRAWING NO: 6116317

RESTRICTED TO: D

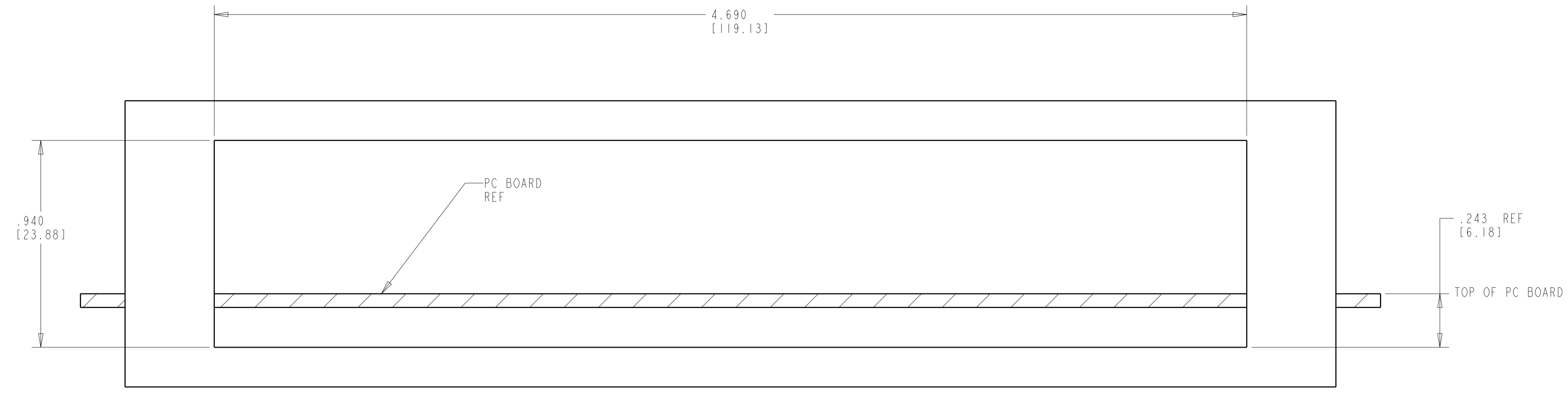
CUSTOMER DRAWING

SCALE: 3:1 SHEET 1 OF 3 REV D

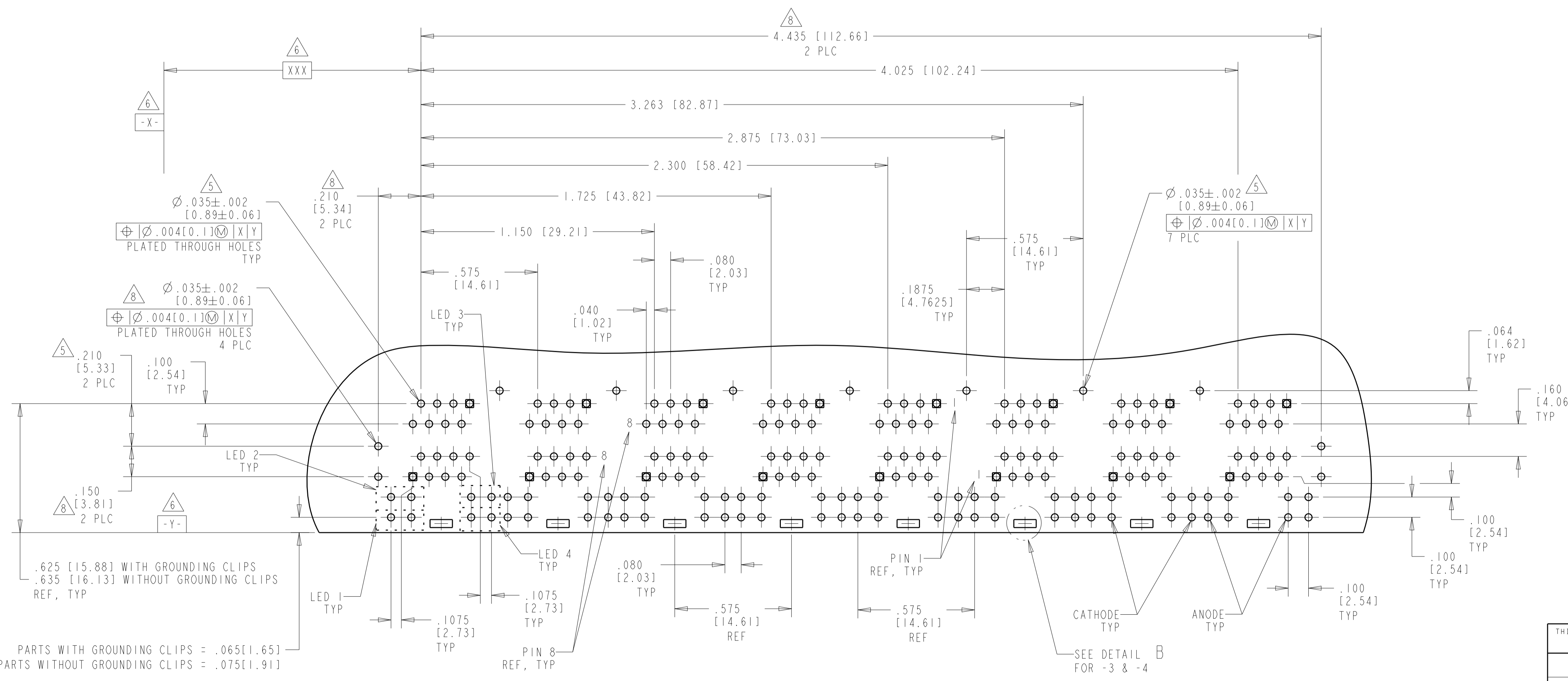
LOC	DIST	REV	DATE	BY	APPD
AA	22				

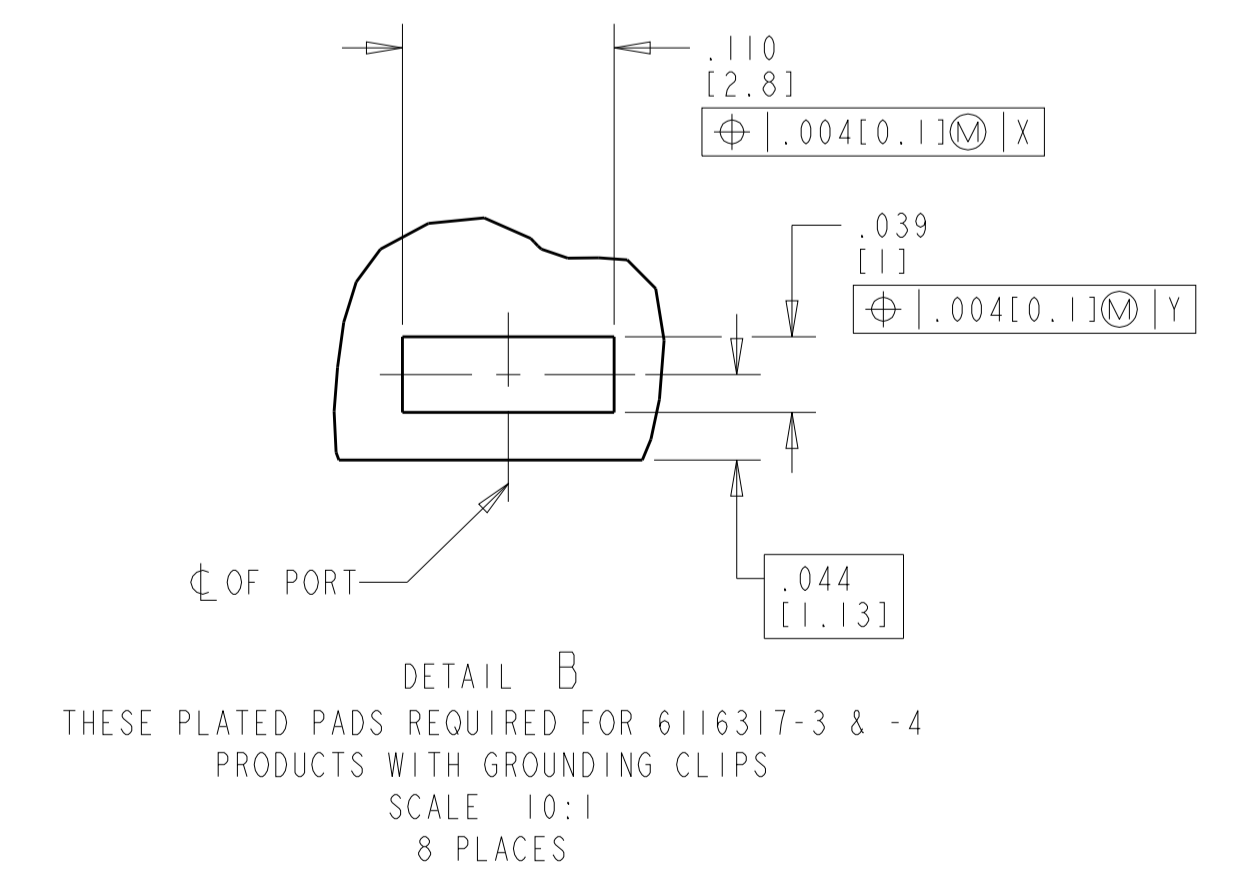
REVISIONS					
REV	DATE	BY	APPD	DESCRIPTION	DATE
-	-	-	-	SEE SHEET 1	-



RECOMMENDED PANEL CUT-OUT



PC BOARD LAYOUT (COMPONENT SIDE)

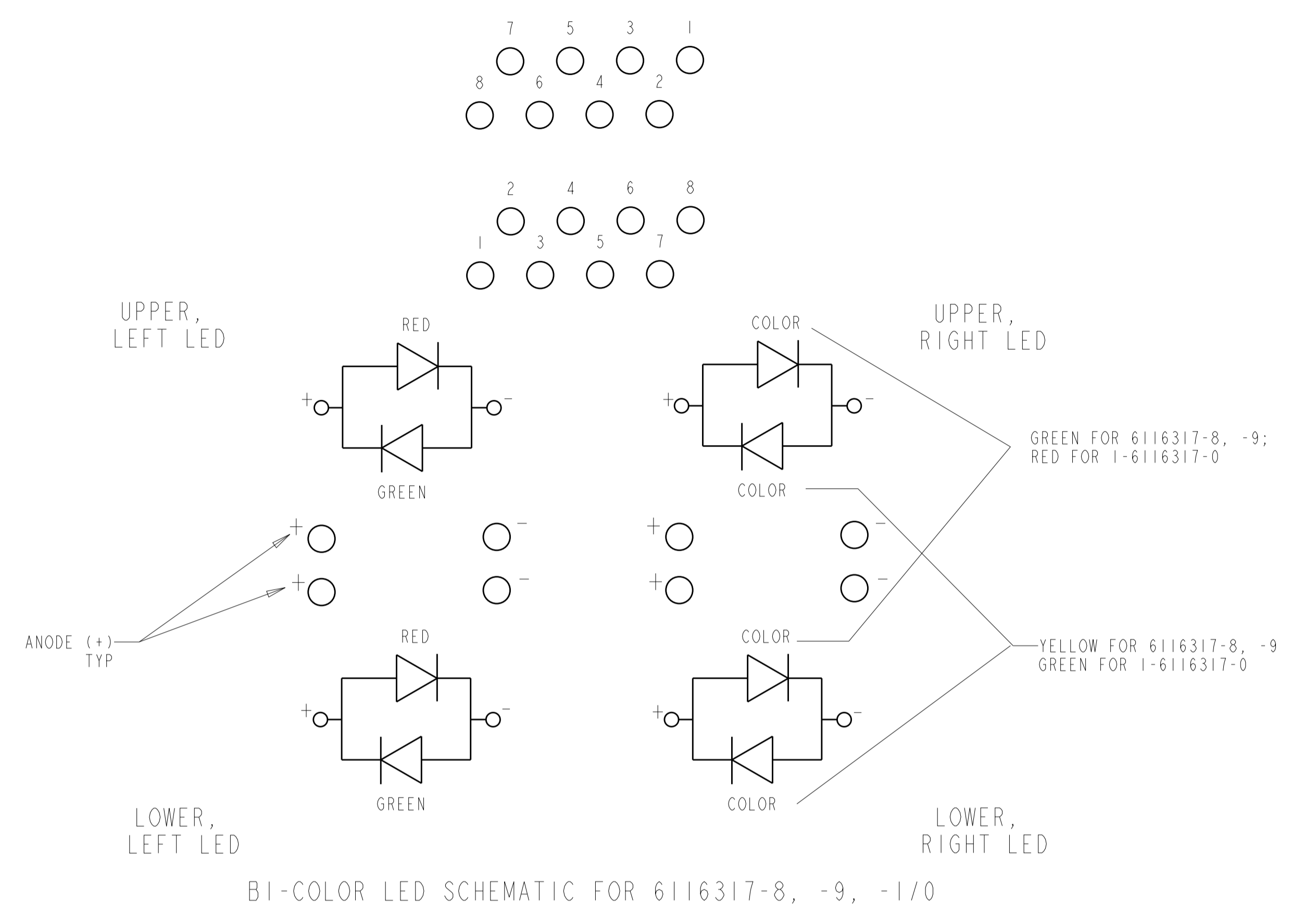
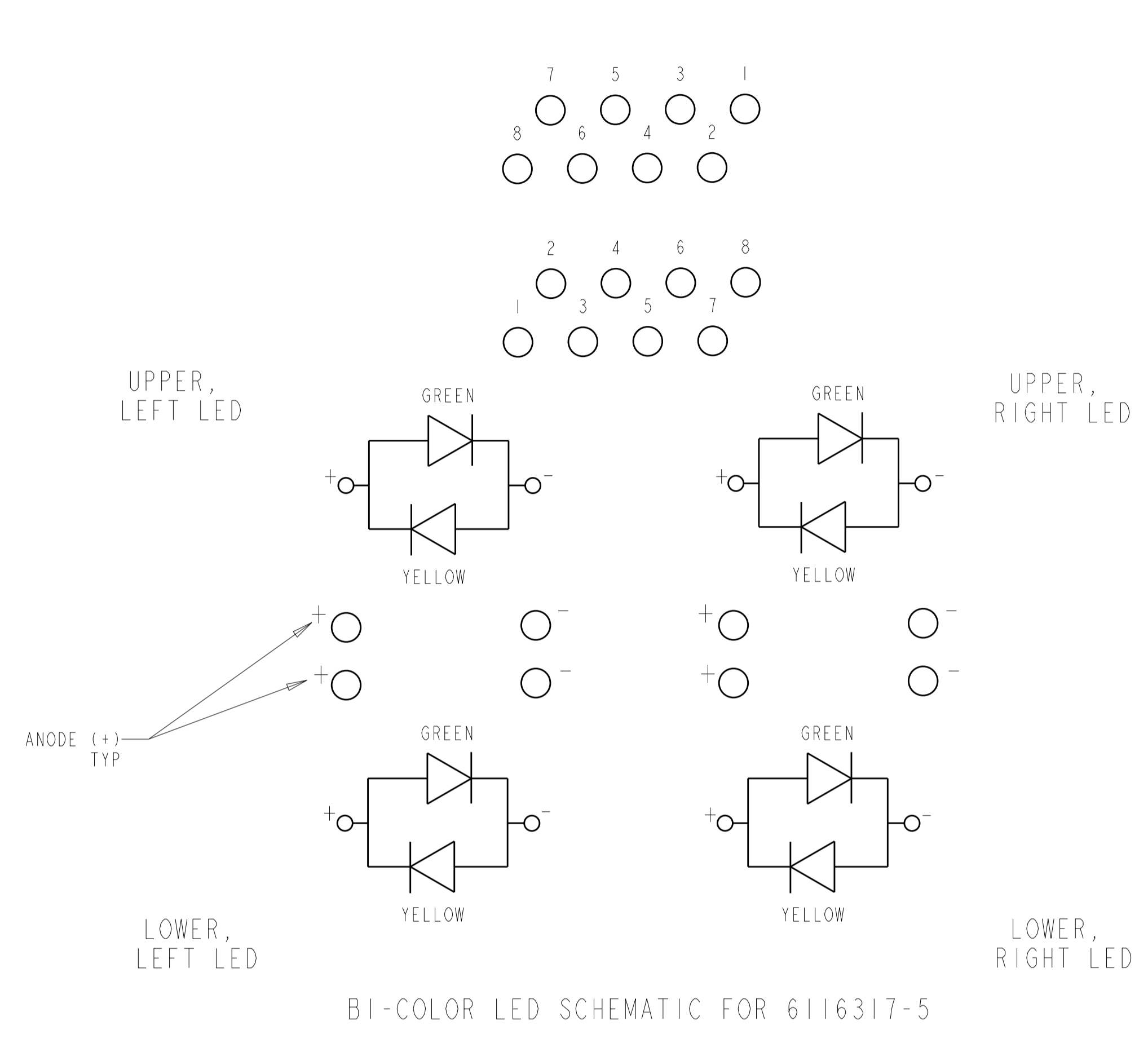


PARTS WITH GROUNDING CLIPS = .065 [1.65]

PARTS WITHOUT GROUNDING CLIPS = .075 [1.91]

THIS DRAWING IS A CONTROLLED DOCUMENT.		OWN L. VARELA	23 JUN 2005	 TE Connectivity
DIMENSIONS: INCHES [mm]		CHK J. WESTMAN	23 JUN 2005	
TOLERANCES UNLESS OTHERWISE SPECIFIED:		APVD S. FLICKINGER	23 JUN 2005	NAME STACKED MODULAR JACK ASSEMBLY, 2X8 WITH LEDs, 8 POSITION, SHIELDED PANEL GROUND, OFFSET, CAT 5
0 PLC ±		PRODUCT SPEC	108-1854	
1 PLC ±		APPLICATION SPEC	114-2160	SIZE CAGE CODE DRAWING NO RESTRICTED TO A1 00779 C=6116317
2 PLC ±		WEIGHT	77.2 grams	
3 PLC ±		CUSTOMER DRAWING	SCALE 3:1	SHEET 2 OF 3 REV D
4 PLC ±		FINISH		
5 PLC ±				
6 PLC ±				
7 PLC ±				
8 PLC ±				

LOC	DIST	REVISIONS					
AA	22	P	LTN	DESCRIPTION	DATE	DWN	APVD
		-		SEE SHEET 1			



THIS DRAWING IS A CONTROLLED DOCUMENT.		DWN L. VARELA - DOCKS 23 JUN 2005	 TE Connectivity
DIMENSIONS: [INCHES(mm)]		CHK J. WESTMAN 23 JUN 2005	
		APVD S. FLICKINGER 23 JUN 2005	NAME STACKED MODULAR JACK ASSEMBLY, 2X8 WITH LEDS, 8 POSITION, SHIELDED PANEL GROUND, OFFSET, CAT 5
TOLERANCES UNLESS OTHERWISE SPECIFIED:		PRODUCT SPEC	SIZE
0 PLC	±	108-1854	CAGE CODE
2 PLC	±	APPLICATION SPEC	DRAWING NO
3 PLC	±	114-2160	RESTRICTED TO
4 PLC	±.005 [0.13]	WEIGHT	A1
ANGLES	±	77.2 grams	00779
MATERIAL		CUSTOMER DRAWING	©=6116317
FINISH		SCALE	3:1
		SHEET	3 OF 3
		REV	D