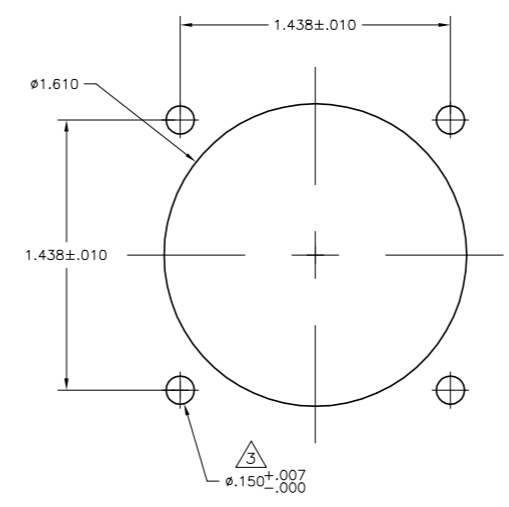
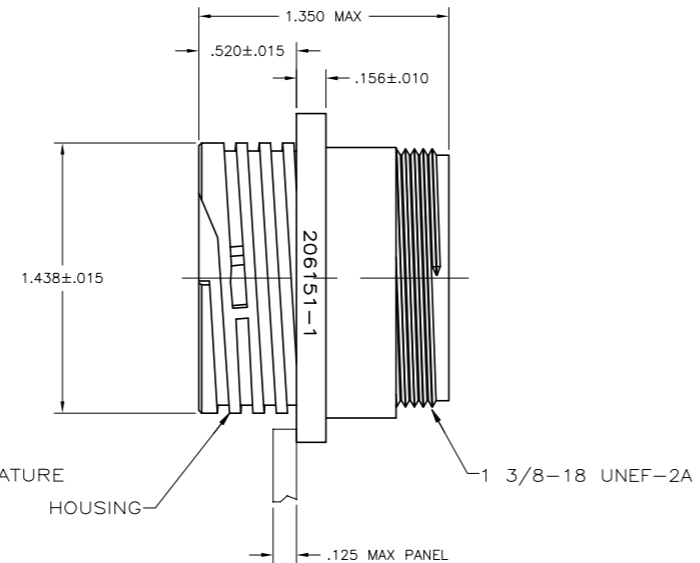
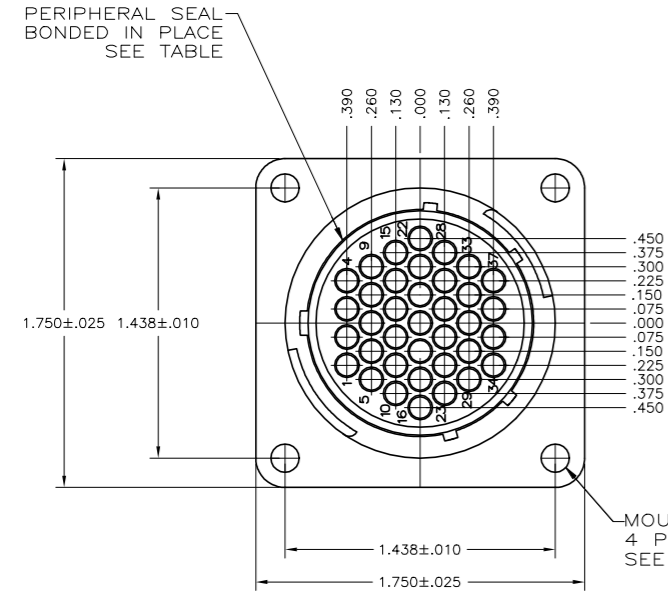


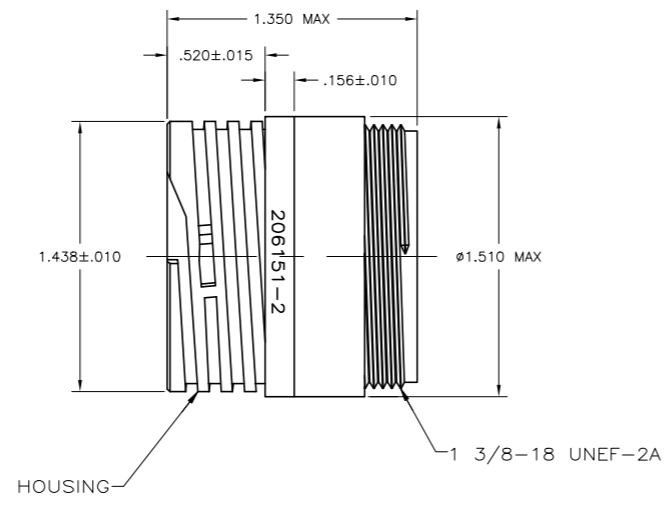
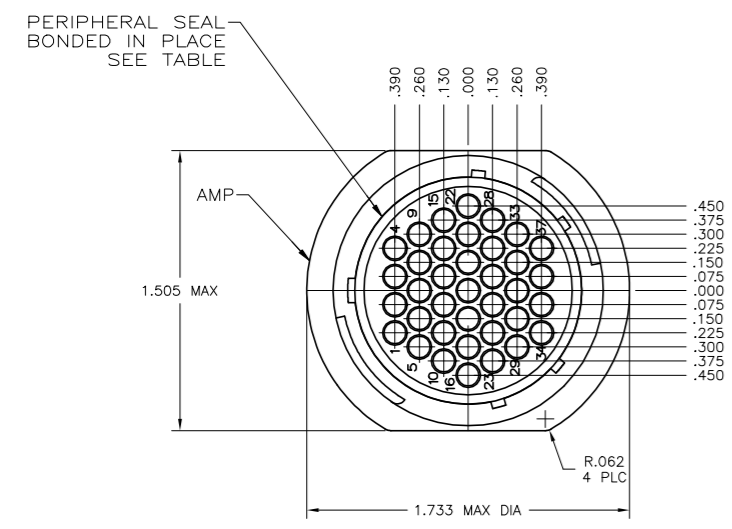
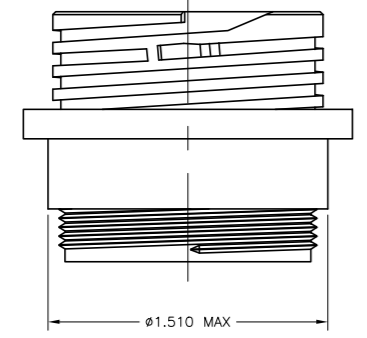
THIS DRAWING IS UNPUBLISHED. RELEASED FOR PUBLICATION
 © COPYRIGHT - By - ALL RIGHTS RESERVED.

REVISIONS				
#	LTR	DESCRIPTION	DATE	OWN APVD
M		REVISED PER ECO-12-015521	28SEP12	KH MZ
N		REVISED PER ECR-16-015135	24NOV2016	RS MZ
P		REVISED PER ECO-19-014836	21OCT2019	RS MZ



DETAIL A

RECOMMENDED PANEL CUTOUT



DETAIL B

- 1 CAVITY IDENTIFICATION ON FRONT AND REAR FACE.
- 2 WILL ACCEPT THIRTY-SEVEN (37) MULTIMATE PIN CONTACTS.
- 3 NO 4 FASTENER RECOMMENDED FOR MOUNTING.
- 4 WHITE DOT NEAR POSITION 1 ON WIRE ENTRY FACE.
- 5 OBSOLETE PARTS: OBSOLETE CIS STREAMLINING PER D.RENAUD/D.SINISI
- 6 MATERIALS:
 HOUSINGS: PA66, BLACK
 PERIPHERAL SEAL: NITRILE BUTADIENE RUBBER
 THREADED INSERT: BRASS

#	DESCRIPTION	STANDARD	NO	A	PART NUMBER
4	#4-40 THREADED INSERT	STANDARD	NO	A	206151-9
4	Ø.150 MOUNTING HOLES	STANDARD	YES	A	206151-8
5	Ø.150 MOUNTING HOLES	STANDARD	NO	A	206151-6
5	Ø.150 MOUNTING HOLES	SMALL PACK	NO	A	206151-5
	NONE	STANDARD	YES	B	206151-4
	Ø.150 MOUNTING HOLES	STANDARD	YES	A	206151-3
	NONE	STANDARD	NO	B	206151-2
	Ø.150 MOUNTING HOLES	STANDARD	NO	A	206151-1
	MOUNTING FEATURE	PACKAGING	PERIPHERAL SEAL	SEE DETAIL	PART NUMBER

THIS DRAWING IS A CONTROLLED DOCUMENT. DWN S SCHLEGEL 06DEC2002
 CHK A FRANTUM 8/13/83
 APVD R STONE 8/13/83 NAME

STE TE Connectivity

RECEPTACLE HOUSING, STANDARD
 SEX, SHELL SIZE 23, CPC

DIMENSIONS: INCHES	TOLERANCES UNLESS OTHERWISE SPECIFIED:	0 PLC ± -	1 PLC ± -	2 PLC ± -	3 PLC ± .005	4 PLC ± ± -	ANGLES ± ± -
MATERIAL: 6	FINISH: -	WEIGHT: -	SIZE: A1	CAGE CODE: 00779	DRAWING NO: C=206151	RESTRICTED TO: -	
CUSTOMER DRAWING		SCALE: 2:1	SHEET: 1 of 1	REV: P			