

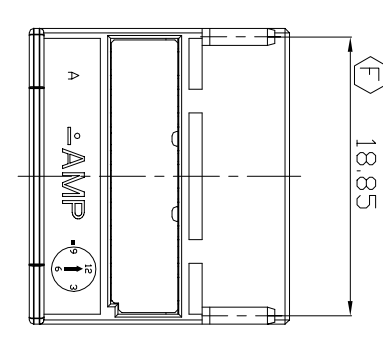
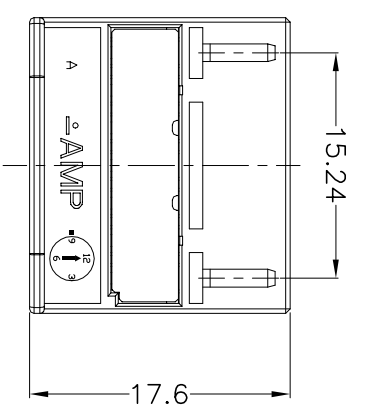
NOTES

- GENERAL TOLERANCE IS ± 0.3
- CONDITION OF DELIVERY :
DBL IN 1ST LOCKING POSITION
- 1-936124-2 ONLY
- APPLIED CAP ASS'Y P/N: 936126
- APPLIED RECEPTACLE CONTACT P/N:

Part ND.	928999	963715
WIRE SIZE(mm ²)	0.25~0.5	0.75

- CONDITION OF DELIVERY : CPA IN 1ST LOCKING POSITION
- RECYCLE MARK :
- >PBT-GF15< : 0-936124-1, 0-936124-2
 - >PA66-GF15< : 2-936124-3, 3-936124-4

NO	DESCRIPTION	MATERIAL	COLOR	Q'TY
1	PLUG HSG CODE1	PBT-GF15	BLACK	1
2	PLUG HSG CODE1	PBT-GF15	YELLOW	1
3	PLUG HSG CODE1	PA66-GF15	DARK GRAY	1
4	PLUG HSG CODE2	PA66-GF15	BROWN	1
5	DBL HSG	PBT-GF15	WHITE	1
6	DBL HSG	PA66-GF15	BLACK	1
7	CPA HSG	PBT-GF20	WHITE	1



THIS DRAWING IS A CONTROLLED DOCUMENT FOR TYCO ELECTRONICS CORPORATION
 IT IS SUBJECT TO THE TERMS AND CONDITIONS OF THE LATEST REVISION
 UNLESS OTHERWISE SPECIFIED

DWN : JM JEDN
 CHK : JW JUNG

STE TE connectivity

A

B

C

D

A

B

C

D

MQS 14P PLUG ASSEMBLY

0-936124-1
 0-936124-2
 1-936124-2
 2-936124-3

3-936124-4

DIMENSIONS:	TOLERANCES UNLESS OTHERWISE SPECIFIED
mm	
0 PLC	\pm
1 PLC	\pm
2 PLC	\pm
3 PLC	\pm
4 PLC	\pm
ANGLES	\pm
FINISH	---

APVD :	HG CHD	NAME
PRODUCT SPEC	---	
APPLICATION SPEC	---	
WEIGHT	---	

SIZE	CAGE CODE	DRAWING NO	RESTRICTED TO
A3	00779	936124	

SCALE 2/1 SHEET 1 OF 1 REV F