

THIS DRAWING IS UNPUBLISHED.

RELEASED FOR PUBLICATION

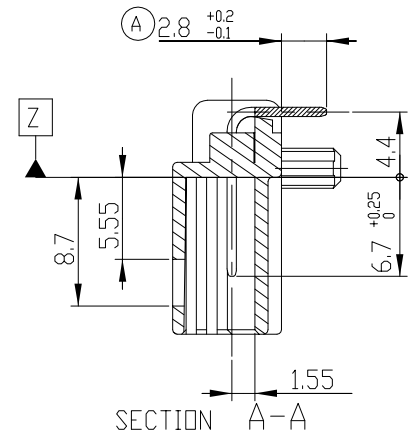
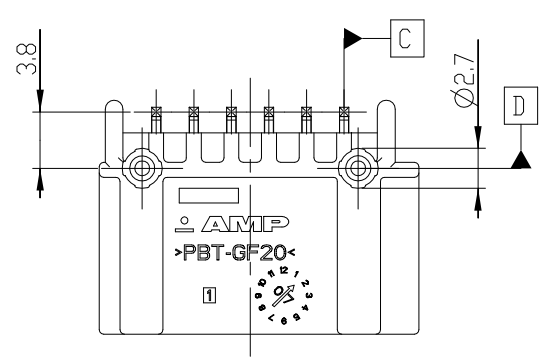
2002

© COPYRIGHT 2016 BY TE CONNECTIVITY

ALL RIGHTS RESERVED.

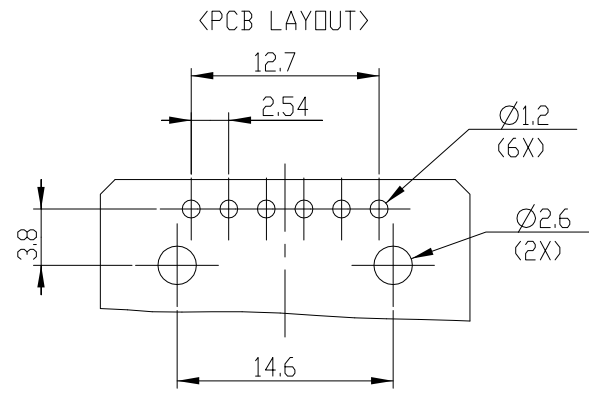
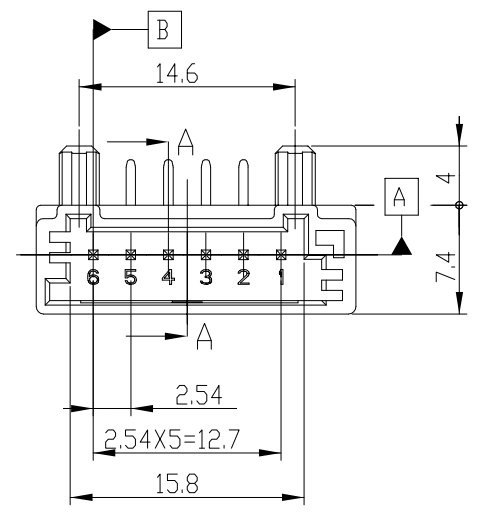
REVISIONS

P	LTR	DESCRIPTION	DATE	DWN	APVD
		RELEASED (ECN\FC00-0008-02)	16.JAN'02	JW	CS
A		REVISED (ECN\FC00-0119-02)	26.AUG'02	JW	CS
A1		REVISED (ECR-15-006375)	15.APR'15	JM	HG
A2		REVISED (ECR-16-004121)	18.MAR'16	JM	JW



<CODING TABLE>

CODE A	CODE B 936287-2,2-936287-2
CODE C 3-936287-4	CODE D



NOTE.

- PULL-OUT FORCE OF THE CONTACT: MIN 25N WHEN V=25mm/min.
- BE MAED WITH PLUG HSG (P/N: 936289) SMOOTHLY
- CODE IS AS FOLLOWS: SEE TABLE 1
- GENERAL TOLERANCE AS BELOW

0 <XX<10	± 0.2
10<XX<30	± 0.25
30<XX	± 0.3
ANGLES	± 3°

CODE	D	C	B	B	A
ASSY P/N	TBD	3-936287-4	2-936287-2	936287-2	TBD

NO.	CODE	COLOR/FINISH	MATERIAL	DESCRIPTION	Q'TY
2	-	POST TIN/LEAD	PHOSPHOR BRONZE	.063 SQUARE CONTACT	
	-	POST TIN/LEAD	PHOSPHOR BRONZE	.063 SQUARE CONTACT	6 6 6 6
1(A1)	D	BLACK	PBT-GF20	MQS 6P PIN HDR HSG	1
	C	BROWN	PBT-GF20	MQS 6P PIN HDR HSG	1
	B	BLACK	PBT-GF20	MQS 6P PIN HDR HSG	1
	B	NATURAL	PBT-GF20	MQS 6P PIN HDR HSG	1
	A	BLACK	PBT-GF20	MQS 6P PIN HDR HSG	1

THIS DRAWING IS A CONTROLLED DOCUMENT.		DWN JM JEON															
DIMENSIONS: mm		CHK JM JEON															
TOLERANCES UNLESS OTHERWISE SPECIFIED:		APVD JW JUNG		NAME MQS, PIN HEADER ASS'Y 6Pos.													
<table border="1"> <tr><td>0 PLC</td><td>±</td></tr> <tr><td>1 PLC</td><td>±</td></tr> <tr><td>2 PLC</td><td>±</td></tr> <tr><td>3 PLC</td><td>±</td></tr> <tr><td>4 PLC</td><td>±</td></tr> <tr><td>ANGLES</td><td>±</td></tr> </table>		0 PLC	±	1 PLC	±	2 PLC	±	3 PLC	±	4 PLC	±	ANGLES	±	PRODUCT SPEC		SIZE A3	
0 PLC	±																
1 PLC	±																
2 PLC	±																
3 PLC	±																
4 PLC	±																
ANGLES	±																
MATERIAL		APPLICATION SPEC		CAGE CODE 00779													
FINISH		WEIGHT		DRAWING NO C-936287													
SEE TABLE		CUSTOMER DRAWING		RESTRICTED TO													
SEE TABLE		SCALE 2:1		SHEET 1 OF 1													
				REV A2													