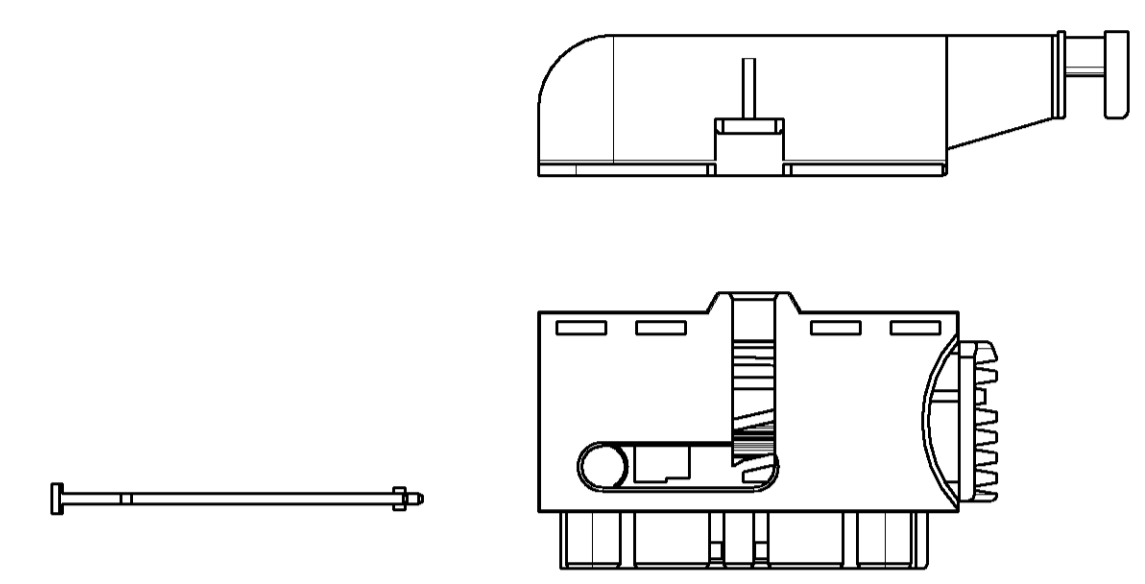
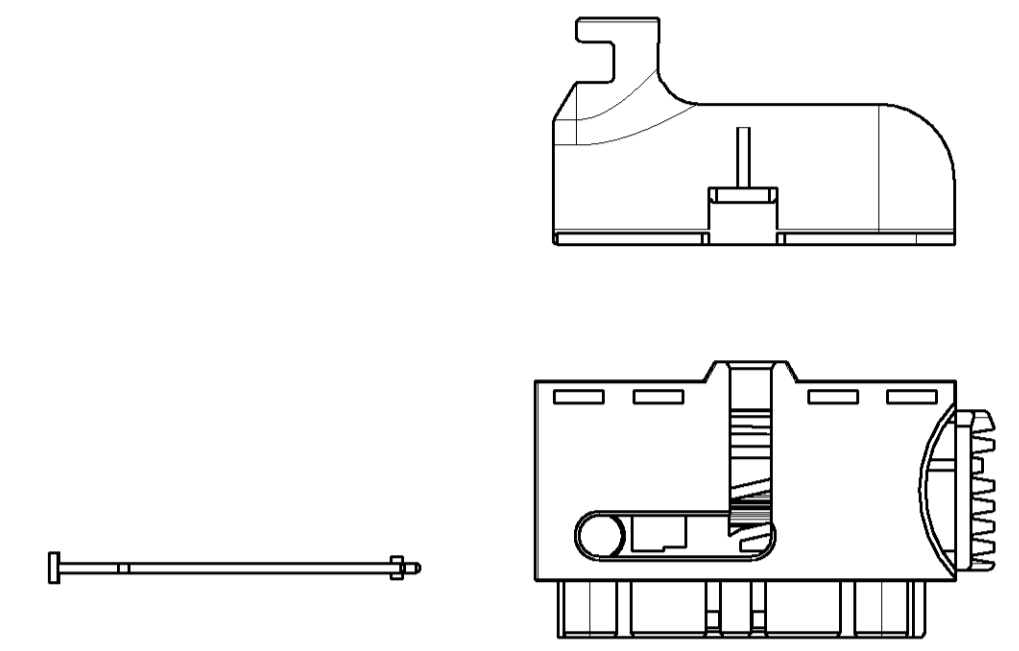


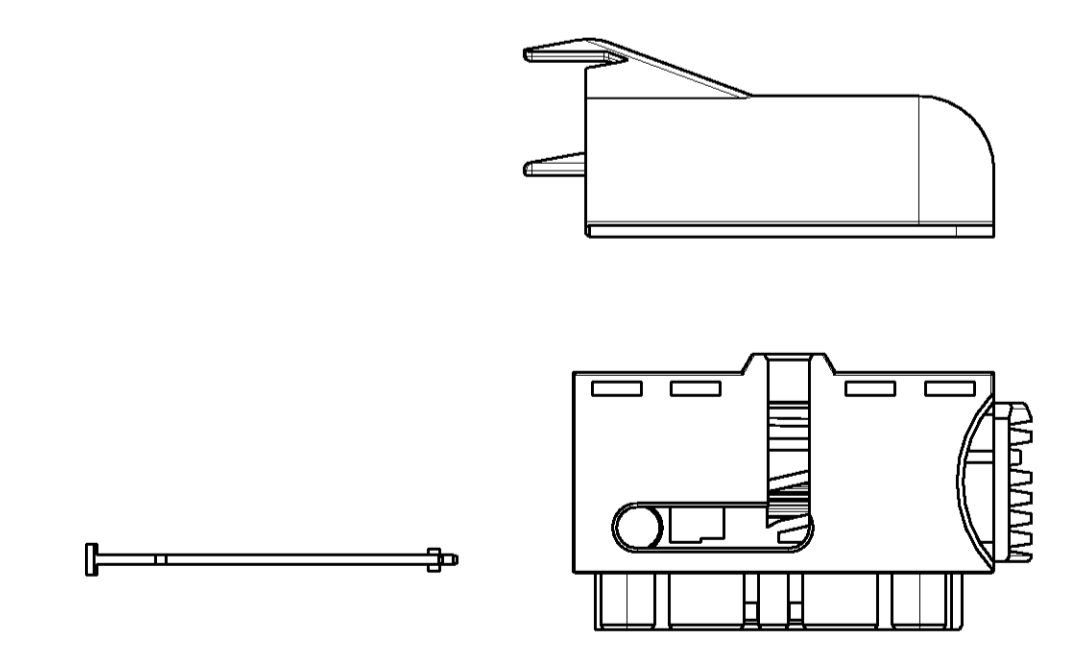
| LOC | DIST | REVISONS | | AENDERUNGEN | | |
|-----------------------|------|------------------------------|-----|-------------|---------|-----|
| A1 | - | P | LTR | DESCRIPTION | DATE | DWN |
| PROJKT NR.: EGANT0024 | | D6 REVISED PER ECO-11-005294 | | | 20APR11 | RK |



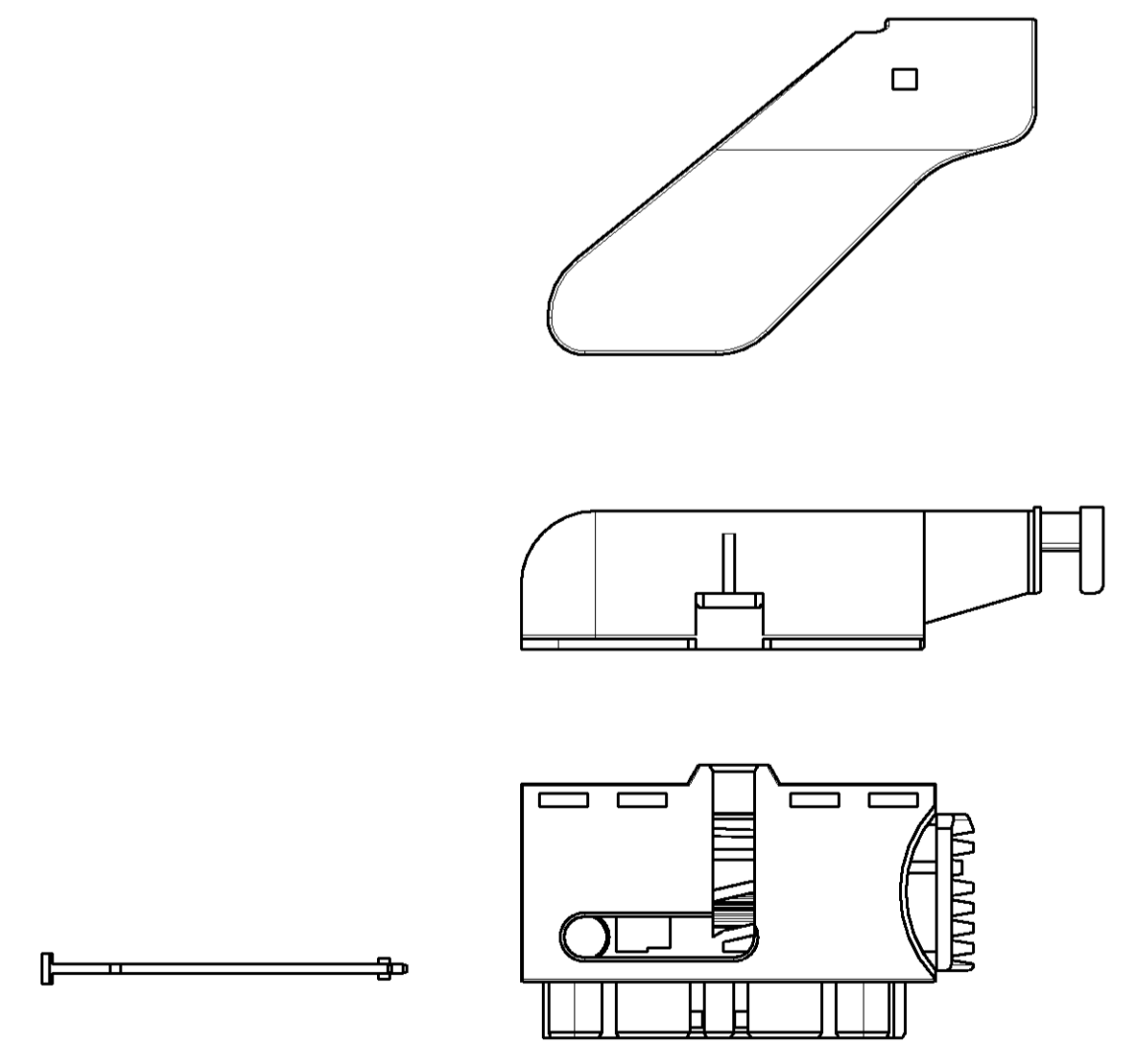
X-1534903-1



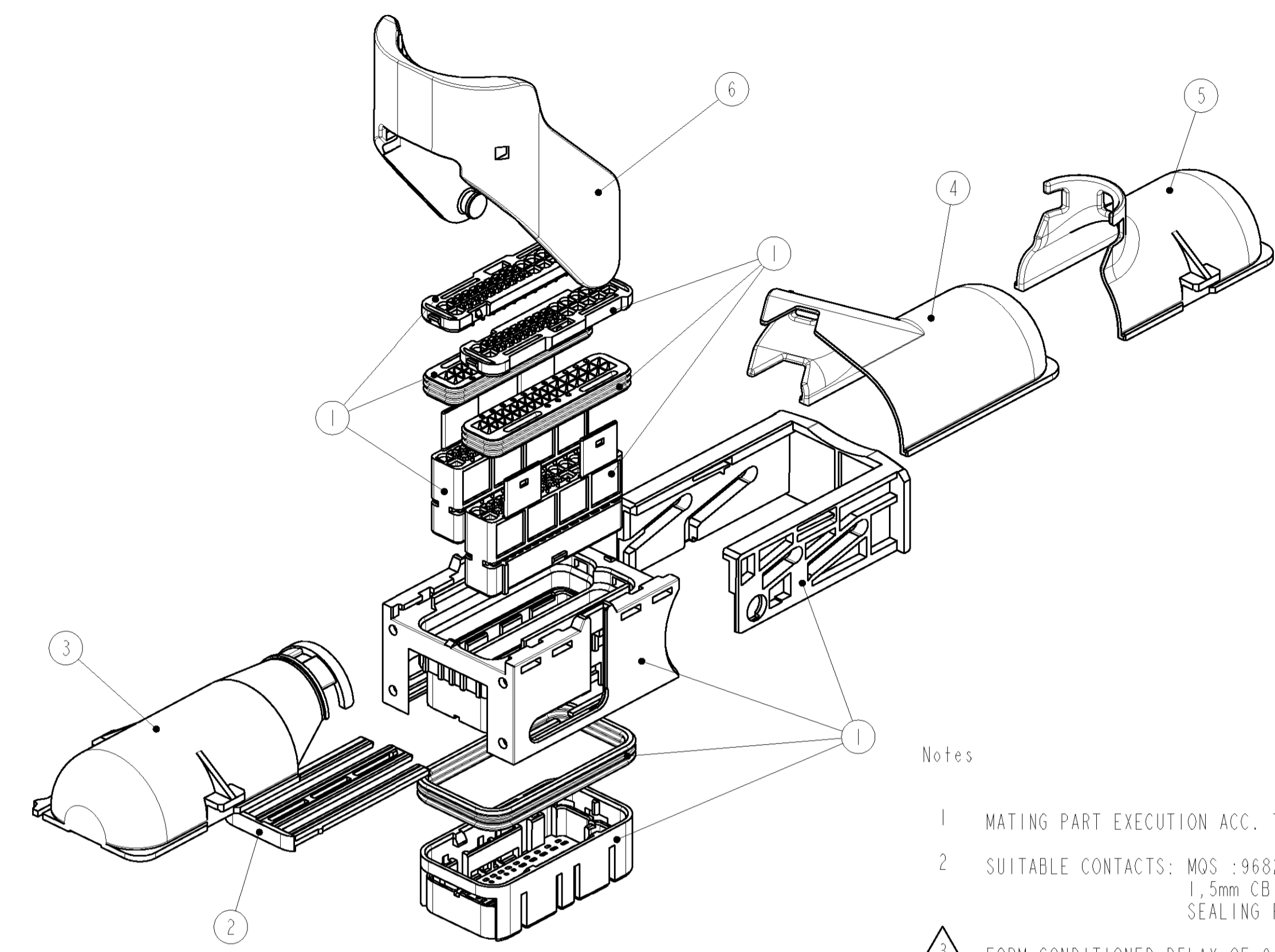
X-1534903-2



X-1534903-3



X-1534903-5



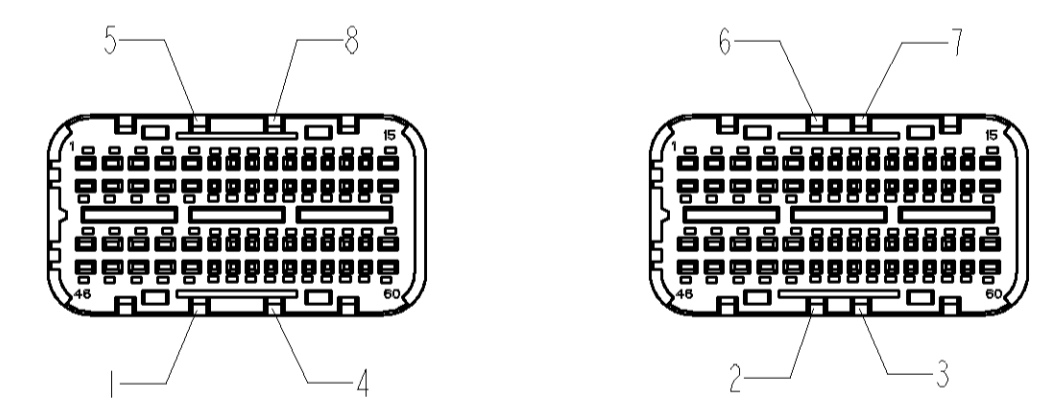
Notes

- MATING PART EXECUTION ACC. TO 114-18304-001
- SUITABLE CONTACTS: MQS : 968220, 968221, 1534116
1,5mm CB : 1241608
SEALING PLUGS 1394871 (0.63), 1394872 (1.5)
- FORM CONDITIONED DELAY OF 0.8mm ADMISSIBLE
- PREFERRED CONTACT MOUNTING SEQUENCE
1.) SEALING PLUG 1394871 AND 1394872
2.) 1,5mm CONTACTS FROM OUTSIDE TO CENTER. CAVITY:
1, 2, ..., 15; 46, 47, ..., 60
16, 17, ..., 30; 31, 32, ..., 45
3.) 0.63mm Kontakte
- PARTS MUST BE ORDERED SEPARATELY ACC. TO THE TABLE BELOW

Bemerkungen

- Schnittstellenausführung nach 114-18304-001
- Passende Kontakte: MQS : 968220, 968221, 1534116
1,5mm CB : 1241608
Dichtstifte 1394871 (0.63), 1394872 (1.5)
- Formbedingter Verzug von 0.8mm zulässig
- Bevorzugte Bestückungsreihenfolge der Kontakte:
1.) Dichtstifte 1394871 und 1394872
2.) 1,5mm Kontakte von außen nach innen. Kammer:
1, 2, ..., 15; 46, 47, ..., 60
16, 17, ..., 30; 31, 32, ..., 45
3.) 0.63mm Kontakte
- Teile müssen entsprechend der unteren Tabelle einzeln bestellt werden

CODINGS
Kodierungen



| QTY. | QTY. | QTY. | QTY. | QTY. | ORDER-NO. Bestell-Nr. | REV. | DESCRIPTION Benennung | ITEM POS. |
|--------------------|-------------|-------------|-------------|-------------|----------------------------|------|------------------------------------|--------------|
| | | | | | 1-1355133-1 | B | LEVER / Hebel | 6 |
| | | | | | 0-1394908-3 | A | SHIELD, 180° / Kappe, 180° | 5 |
| | | | | | 0-1394910-2 | A | SHIELD, 45° / Kappe, 45° | 4 |
| | | | | | 1-1355122-2 | B | SHIELD, 90° / Kappe, 90° | 3 |
| | | | | | 1-1355118-1 | C | RETAINER, 60POSN. / Halter, 60pol. | 2 |
| | | | | | 2-1355123-9 | D | CARRIER HSG. / Aufnahmegeh. | 1 |
| | | | | | 2-1355123-3 | D | CARRIER HSG. / Aufnahmegeh. | 1 |
| 1-2-3-4 5-6-7-8 | 2-3-6-7 | 2-3-6-7 | 2-3-6-7 | 2-3-6-7 | CODING Kodierung | | | |
| 9-1534903-5 | 3-1534903-5 | 3-1534903-3 | 3-1534903-2 | 3-1534903-1 | TE CONNECTIVITY REF. NO | | | |
| D | D | D | D | D | REV | | | |

STE TE Connectivity

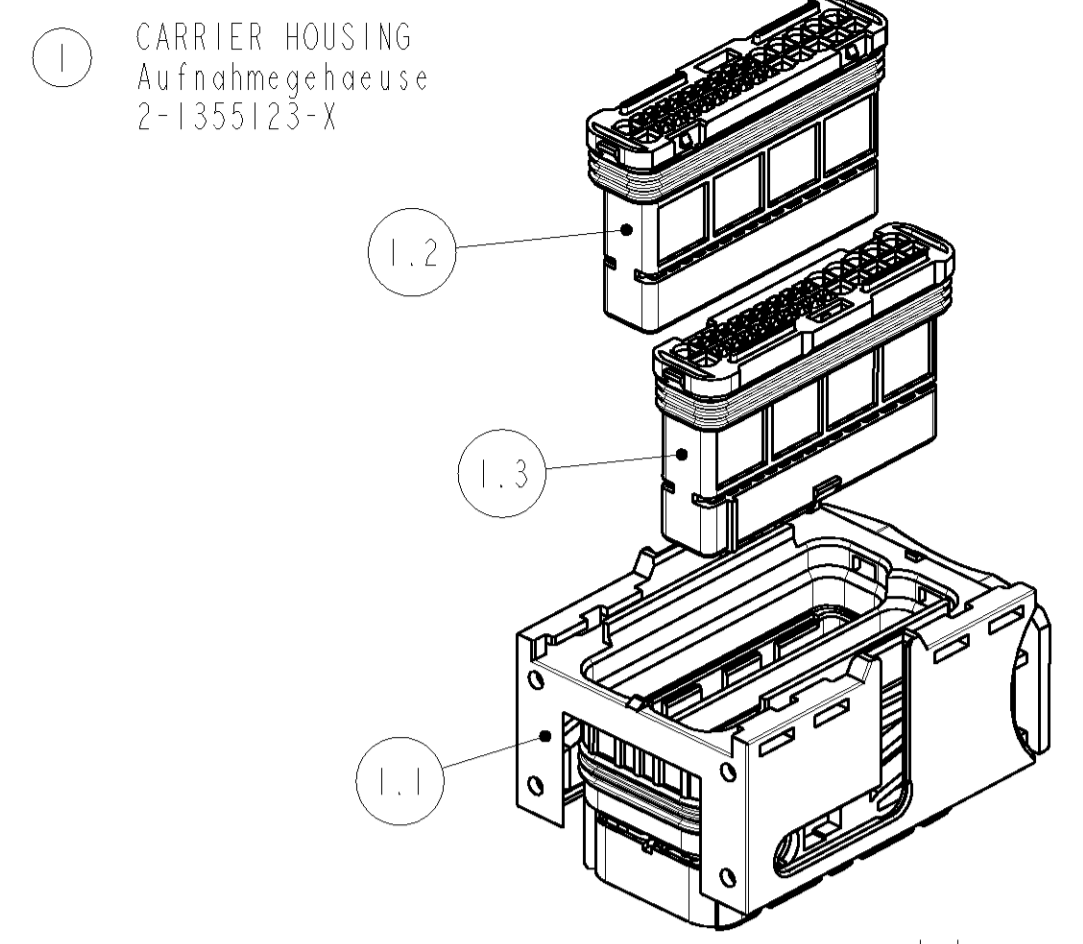
NAME: CONNECTOR HOUSING., 60 POSN.
Steckverbindergehäuse., 60pol.
MQS + 1.5mm Clean Body Contacts

SIZE: 00779
DRAWING NO.: 1534903

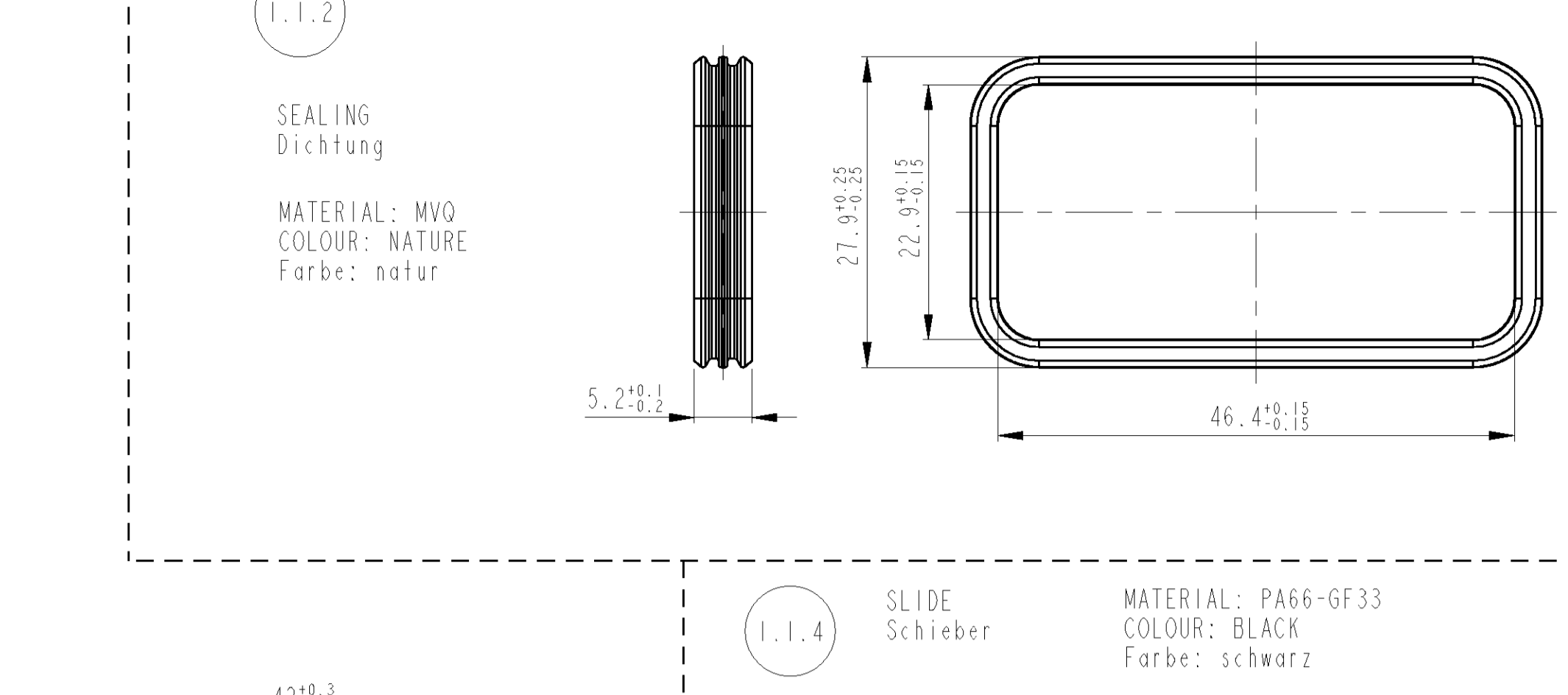
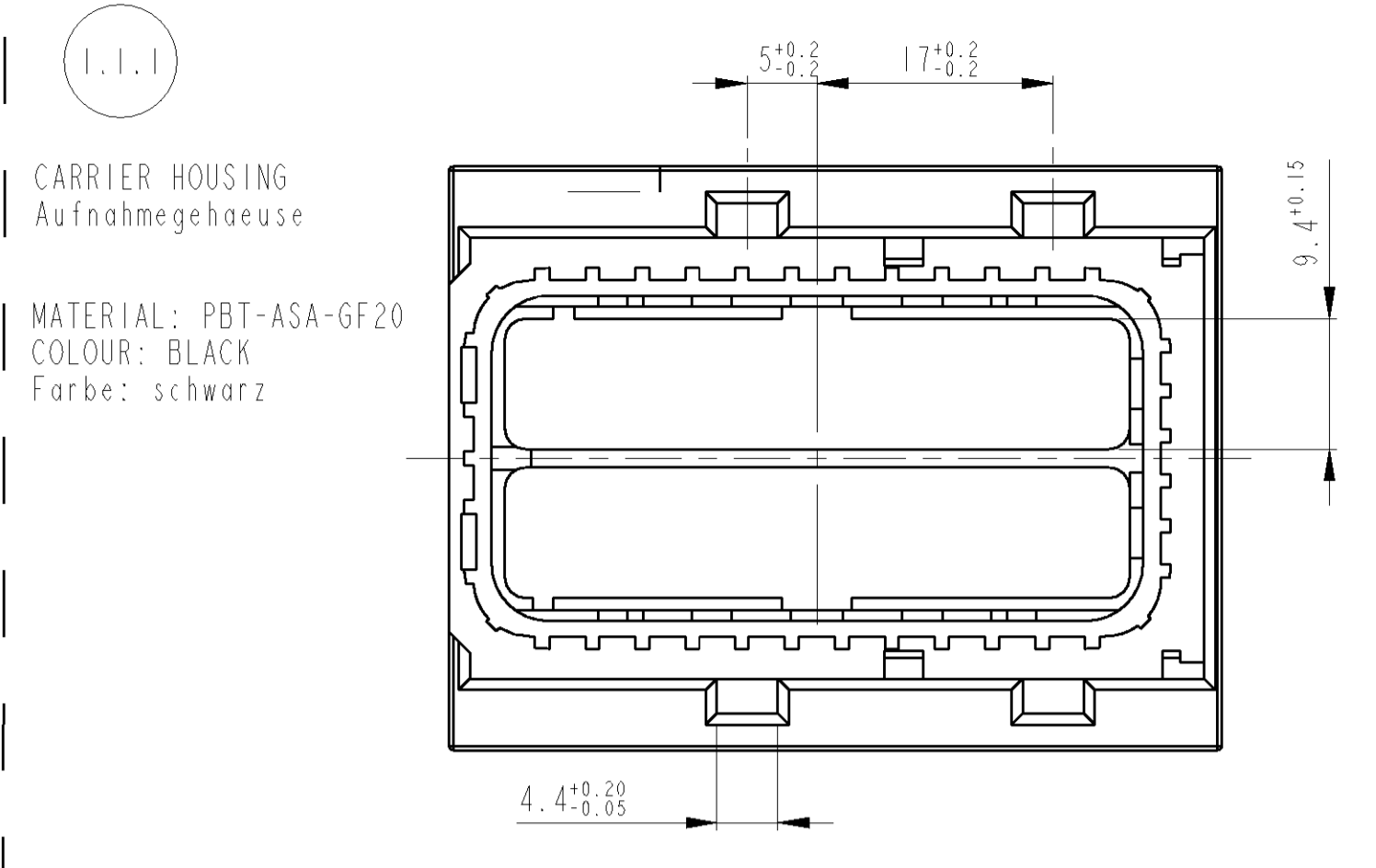
CUSTOMER DRAWING / KUNDENZEICHNUNG

SCALE 1:1
SHEET 1 OF 3

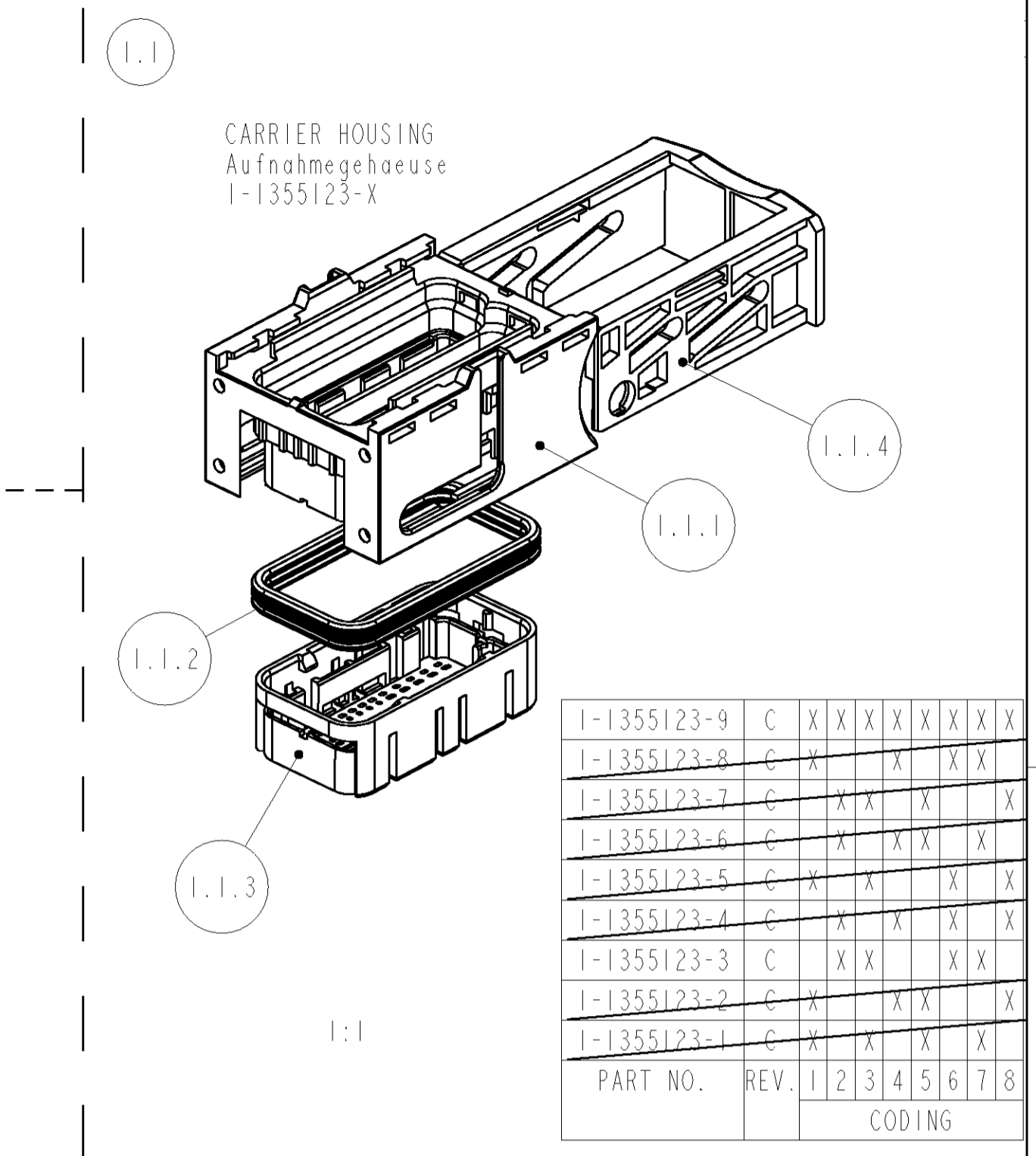
RESTRICTED TO NUR FÜR REV D6



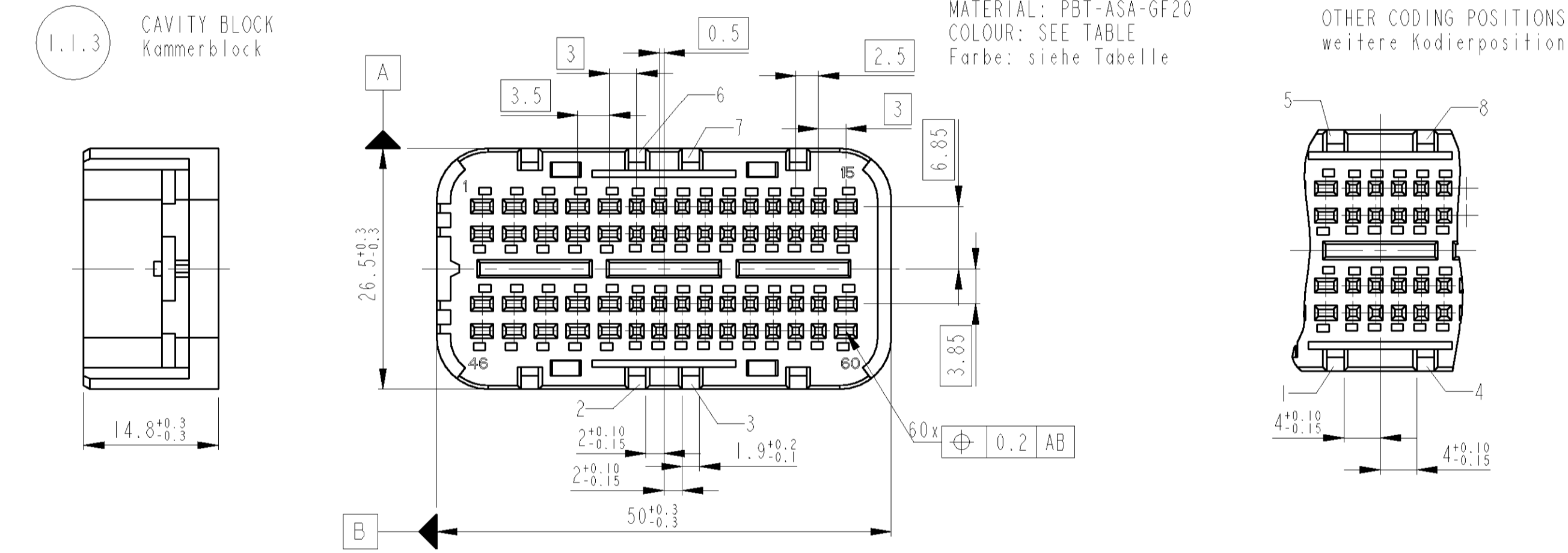
| | | | | | | | | |
|-------------|---|---|---|---|---|---|---|---|
| 2-1355123-9 | X | X | X | X | X | X | X | |
| 2-1355123-8 | X | | X | X | X | X | X | |
| 2-1355123-7 | X | X | X | X | X | X | X | |
| 2-1355123-6 | X | X | X | X | X | X | X | |
| 2-1355123-5 | X | X | X | X | X | X | X | |
| 2-1355123-4 | X | X | X | X | X | X | X | |
| 2-1355123-3 | X | X | X | X | X | X | X | |
| 2-1355123-2 | X | X | X | X | X | X | X | |
| 2-1355123-1 | X | X | X | X | X | X | X | |
| PART NO. | 1 | 2 | 3 | 4 | 5 | 6 | 7 | 8 |
| CODING | | | | | | | | |



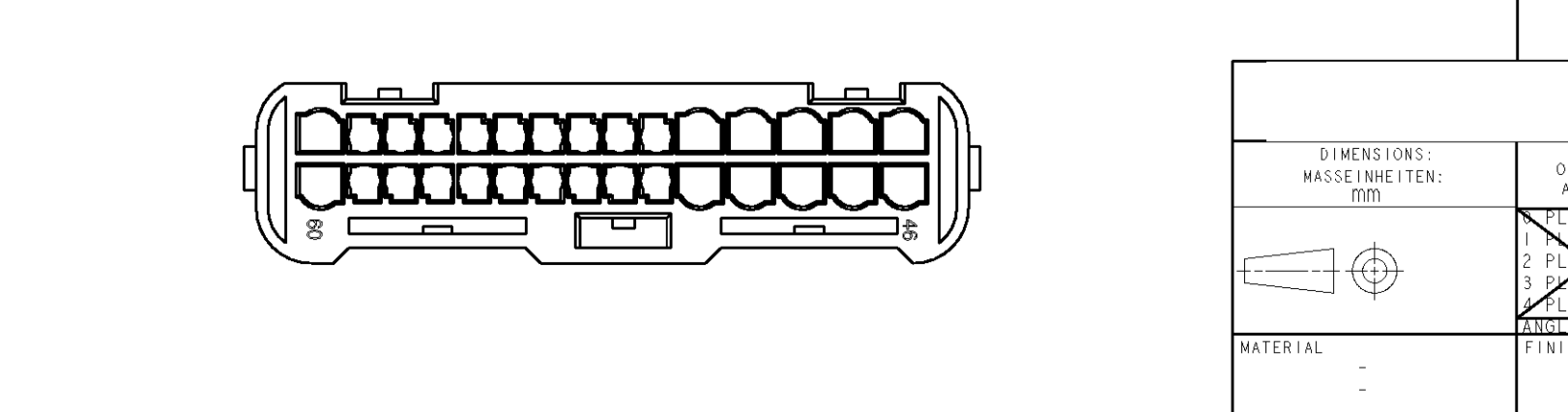
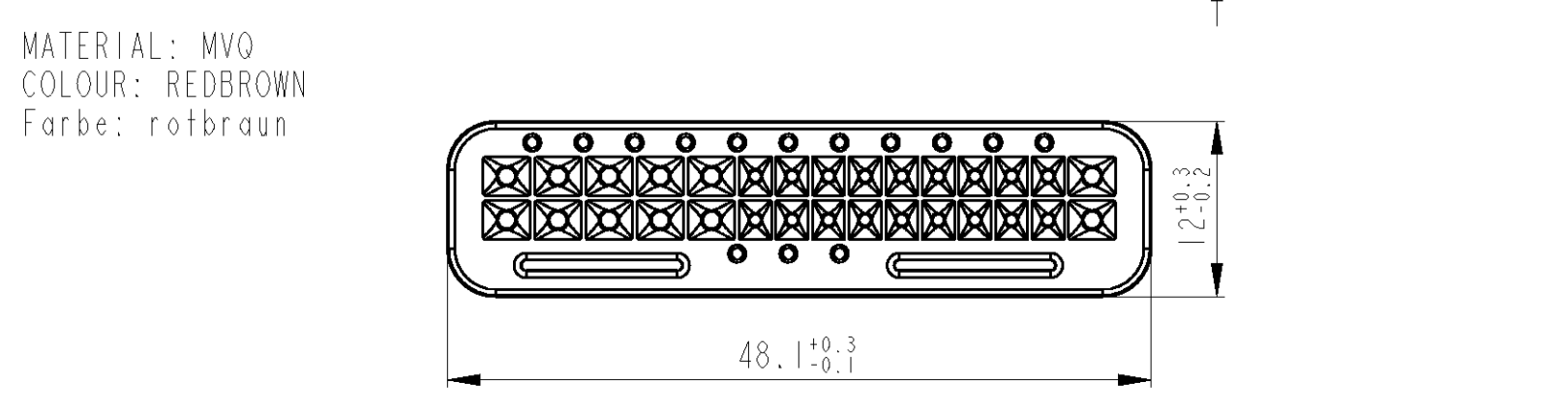
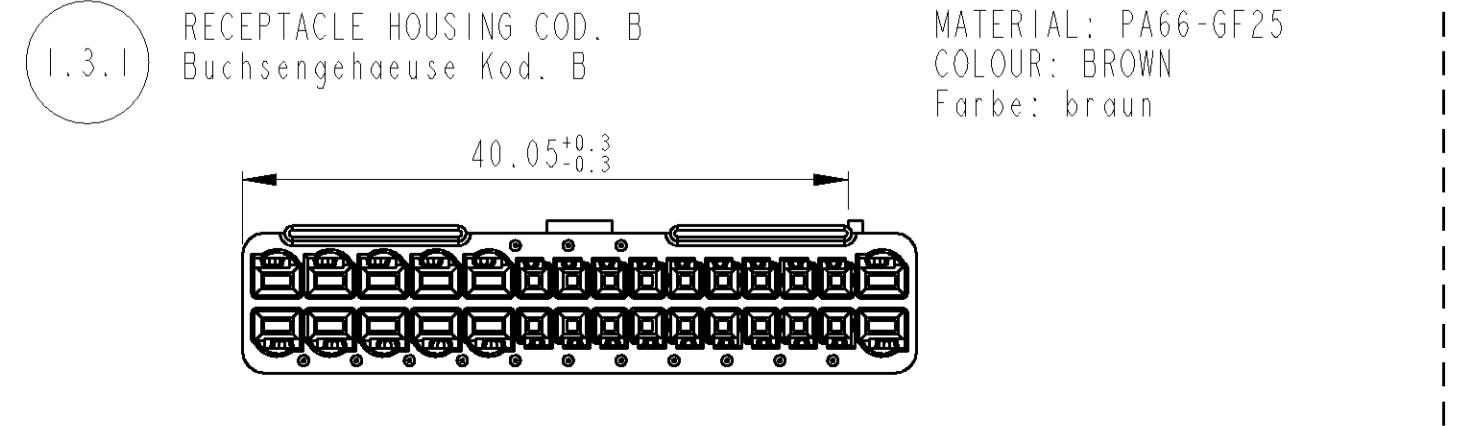
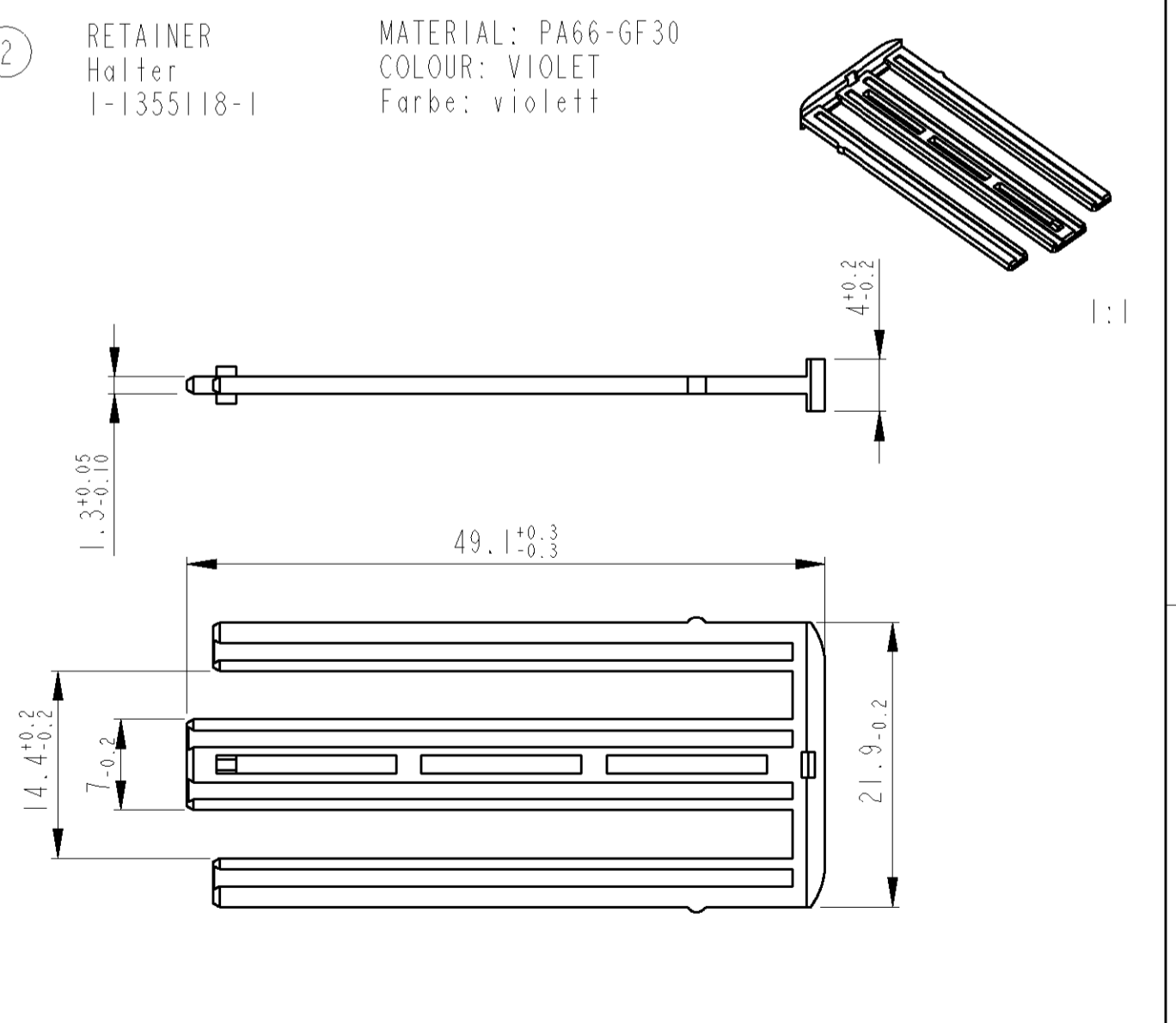
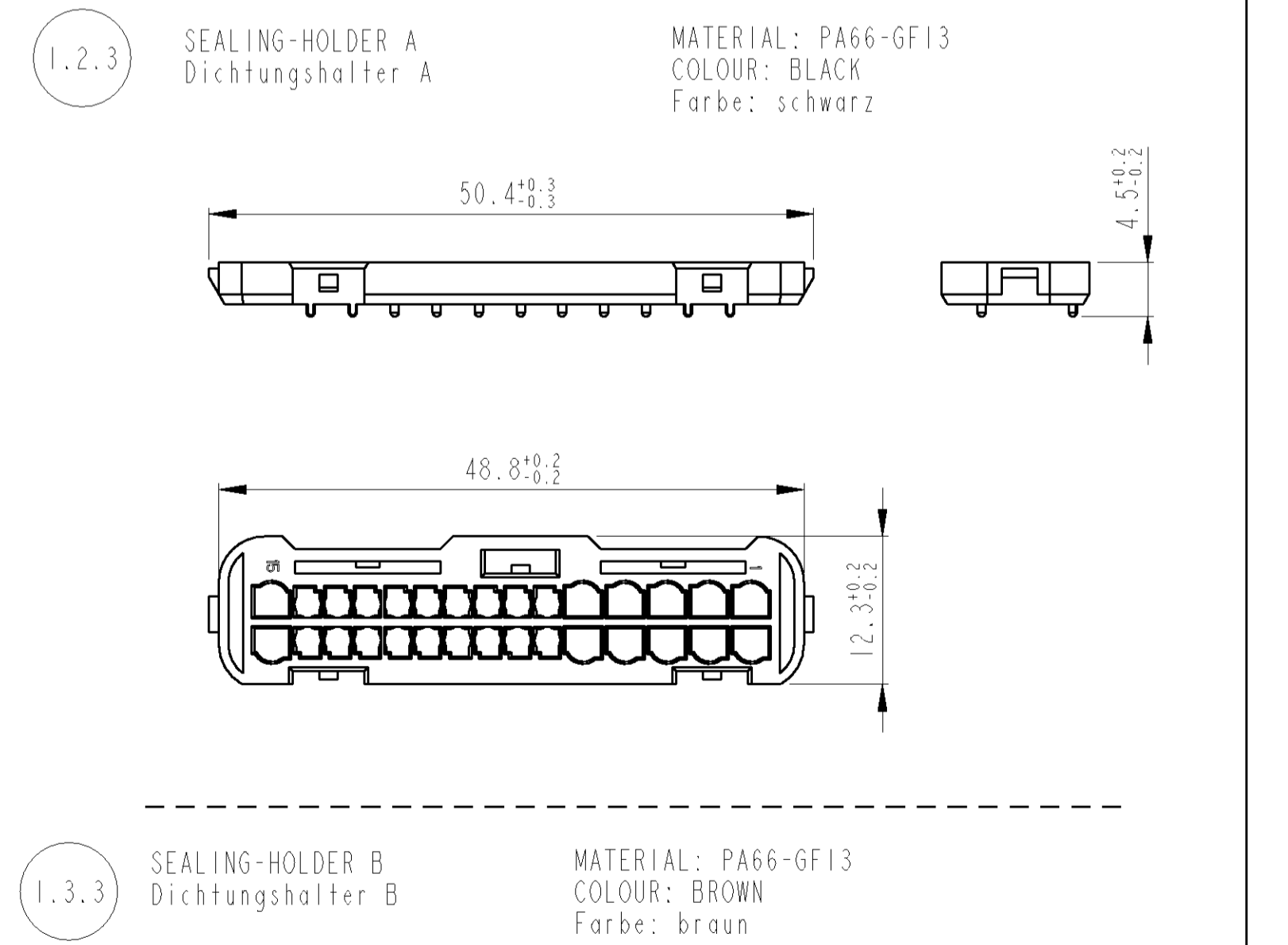
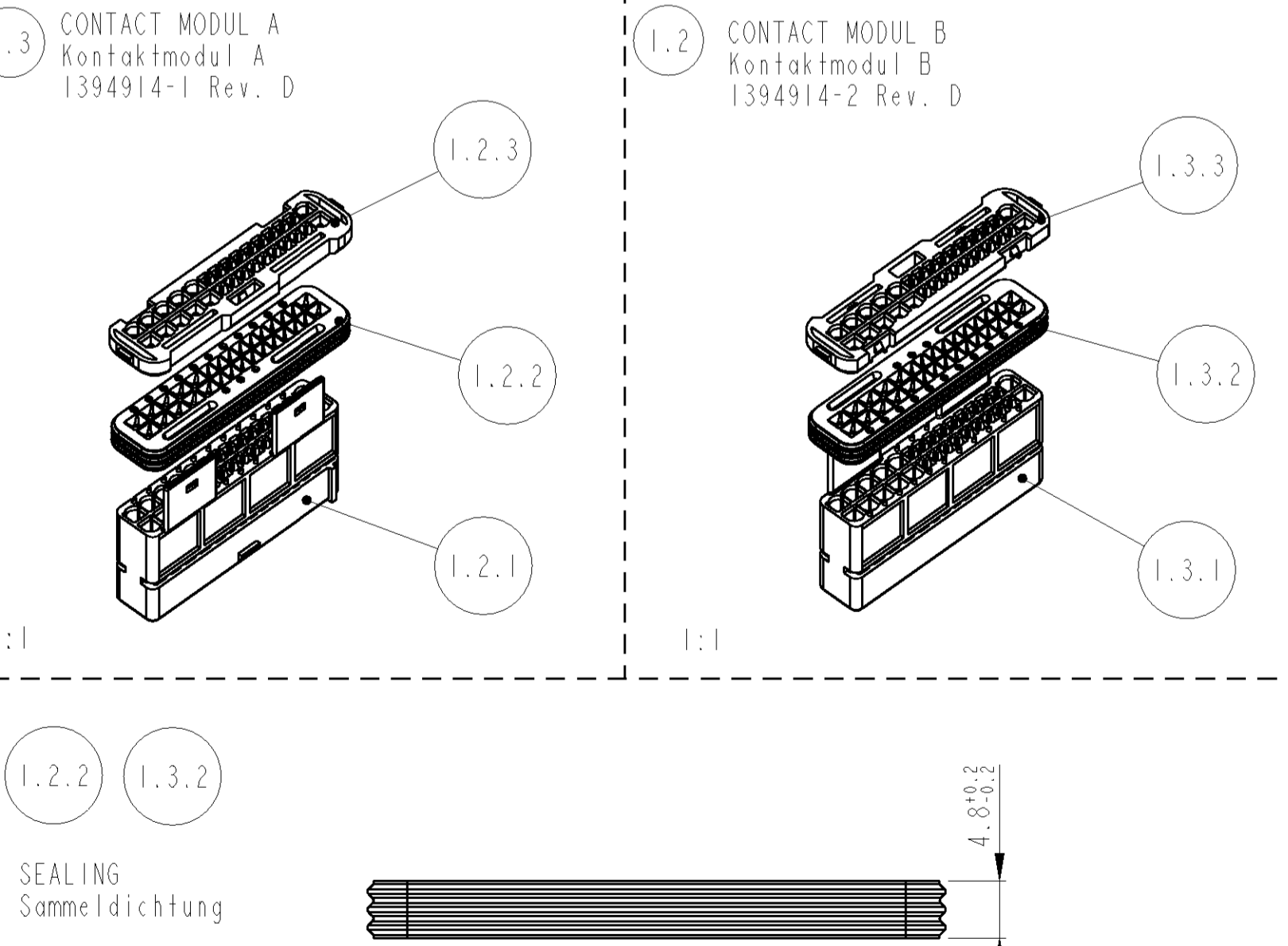
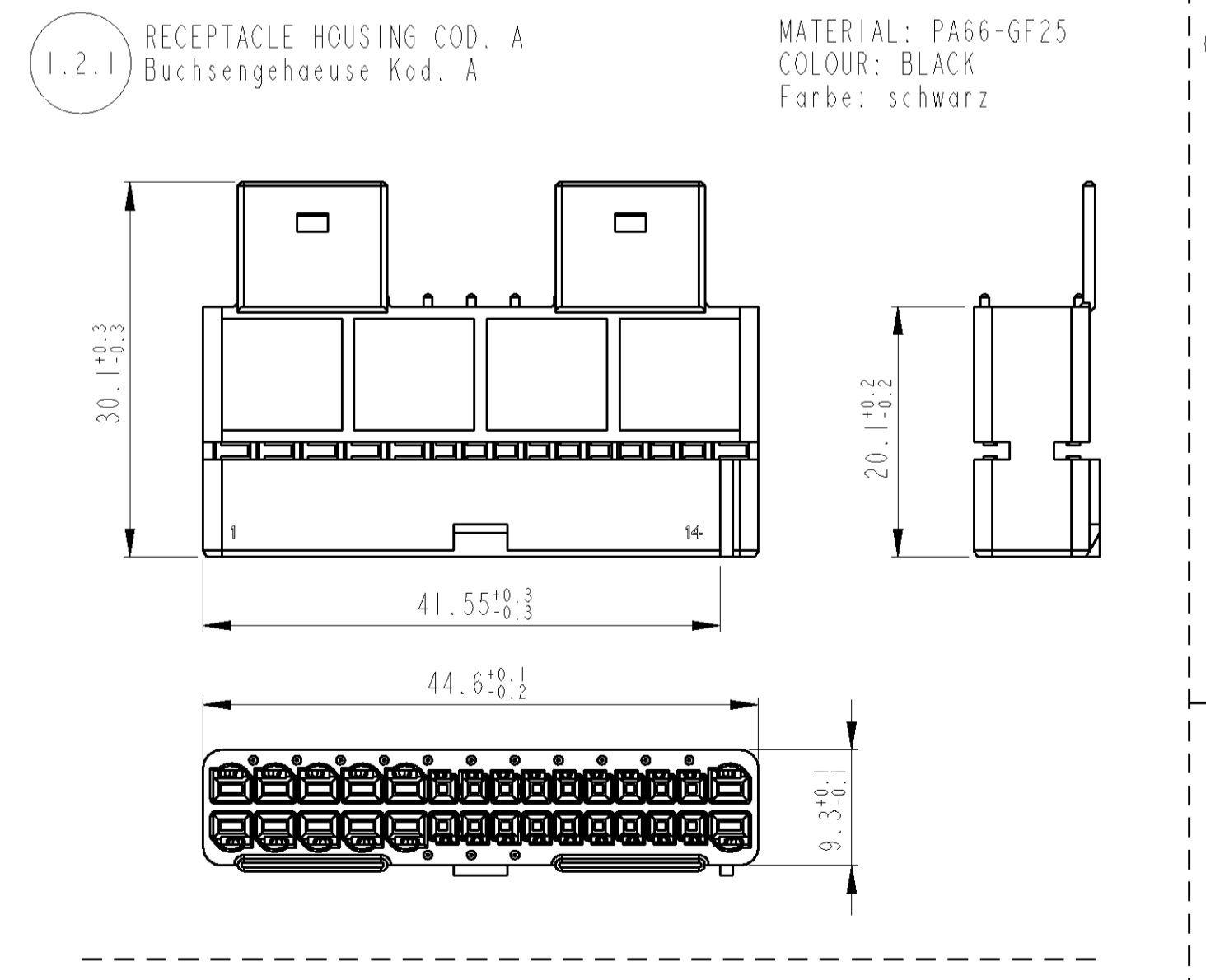
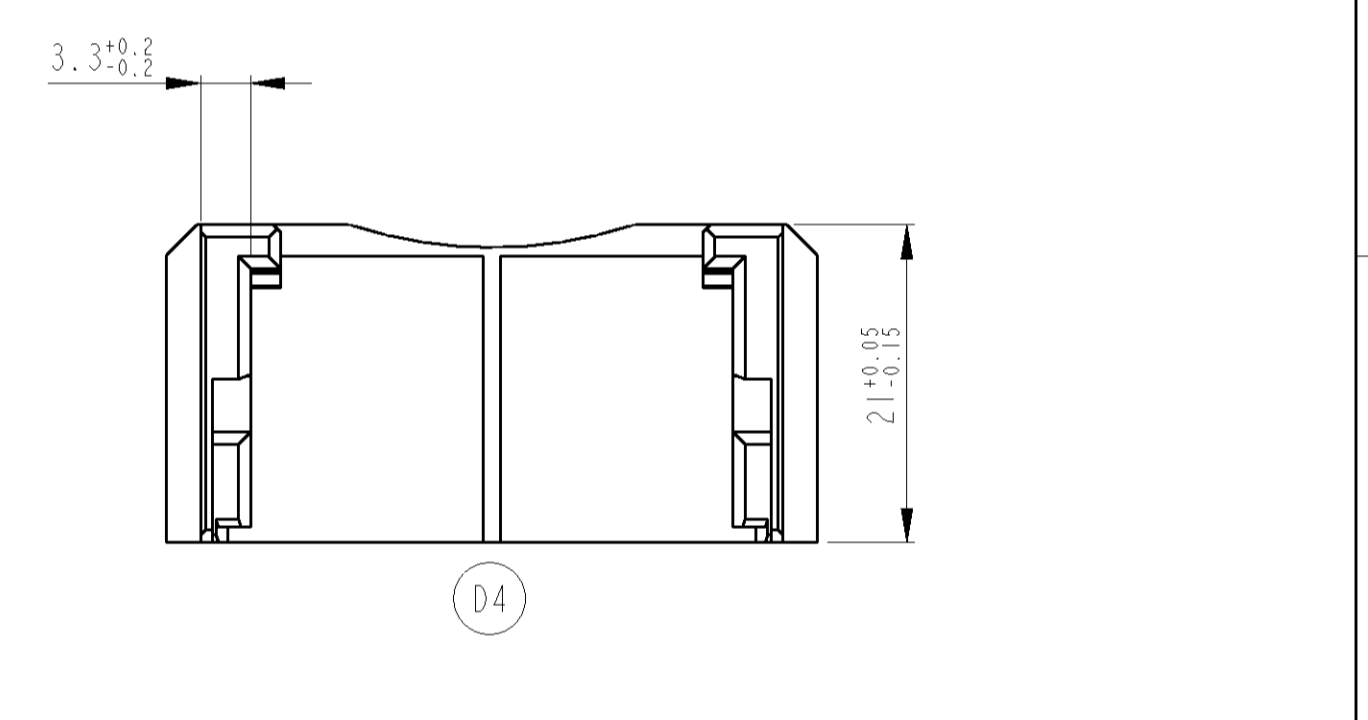
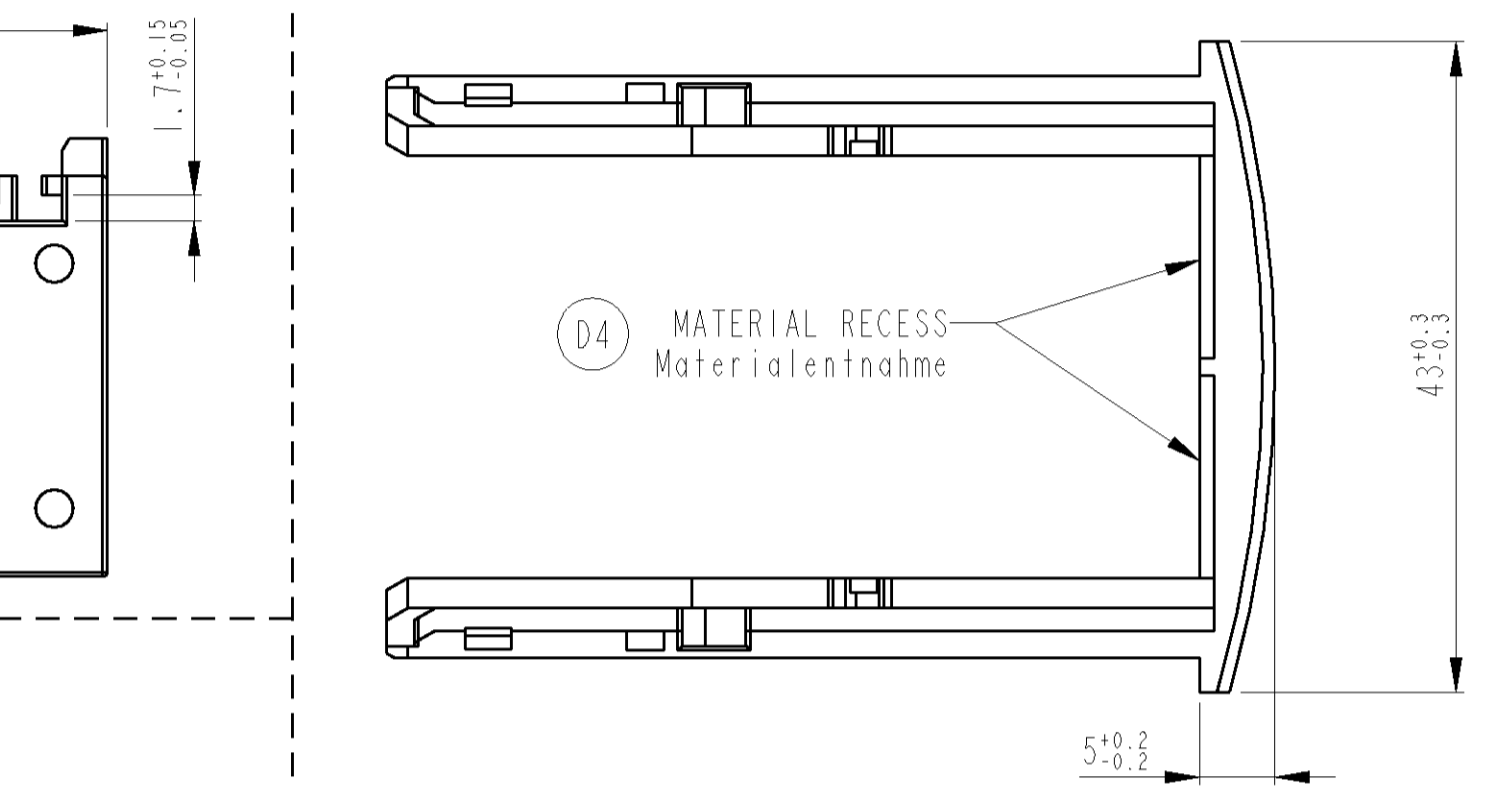
| LOC | DIST | P | LYR | REVISIONS | DATE | DWN | APVD |
|------------|----------|---|-----|---|------|-----|------|
| A1 | - | - | - | ÄNDERUNGEN DESCRIPTION BESCHREIBUNG | - | - | - |
| PROJKT-NR. | EGMT0024 | - | - | SEE SHEET 1 | - | - | - |



| | | | | | | | | | |
|-------------|------|---|---|---|---|---|---|---|---|
| 1-1355123-9 | C | X | X | X | X | X | X | X | |
| 1-1355123-8 | C | X | | X | X | X | X | X | |
| 1-1355123-7 | C | X | X | X | X | X | X | X | |
| 1-1355123-6 | C | X | X | X | X | X | X | X | |
| 1-1355123-5 | C | X | X | X | X | X | X | X | |
| 1-1355123-4 | C | X | X | X | X | X | X | X | |
| 1-1355123-3 | C | X | X | X | X | X | X | X | |
| 1-1355123-2 | C | X | X | X | X | X | X | X | |
| 1-1355123-1 | C | X | X | X | X | X | X | X | |
| PART NO. | REV. | 1 | 2 | 3 | 4 | 5 | 6 | 7 | 8 |
| CODING | | | | | | | | | |



| | | | | | | | | |
|---------------|---|---|---|---|---|---|---|---|
| BLUE/blau | X | X | X | X | X | X | X | |
| BLACK/schwarz | X | X | X | X | X | X | X | |
| COLOUR | 1 | 2 | 3 | 4 | 5 | 6 | 7 | 8 |
| Farbe | | | | | | | | |
| CODING | | | | | | | | |

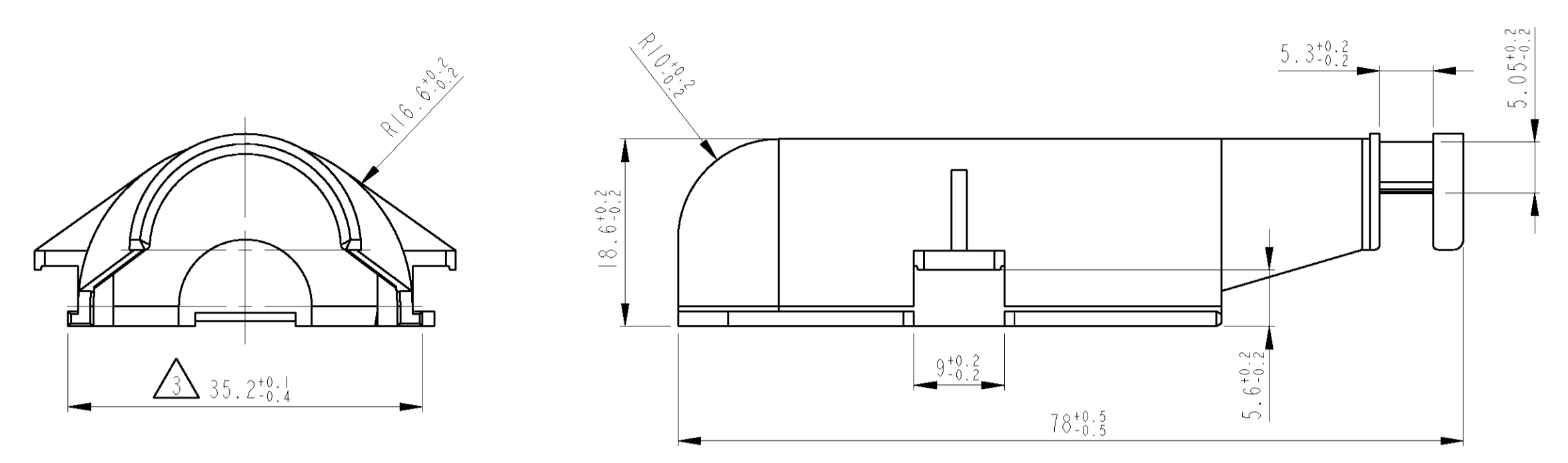


| | | | |
|--|--|---|---|
| DIMENSIONS: MASSEINHEITEN: TITEL | TOLERANCES UNLESS OTHERWISE SPECIFIED: ALLE DIM. IN TOLERANZEN | DWN B. Sellien 140RT2002 CHK B. Leonhardt 140RT2002 APVD | NAME CONNECTOR HOUSING., 60 POSN. Steckverbindergehäuse., 60pol. MOS + 1.5mm Clean Body Contacts |
| 1. PLC 2. PFC 3. PFC 4. PFC | MCC. TO DIN 1901-140 + ENTRIES TO + NOMINAL DIM PLC | PRODUCT SPEC PRODUKTSPEZ. 108-13829 APPLICATION SPEC. VERARBEITUNGSSPEZ. 114-18521 | SIZE CAGE CODE DRAWING NO. 1534903 |
| MATERIAL | FINISH/OBERFLÄCHE/FARBE | WEIGHT GEWICHT | RESTRICTED TO NUR FÜR |
| CUSTOMER DRAWING | | /KUNDENZEICHNUNG | SCALE MASSSTAB 2:1 |
| | | SHEET BLATT 2 | OF VON 3 |
| | | REV D6 | |

| LOC | DIST | P | LTR | REVISIONS | DATE | DWN | APVD |
|------------------------|------|---|-----|--------------|-------------|-----|------|
| A1 | - | - | - | AENDERUNGEN | - | - | - |
| PROJEKT NR.: EGART0024 | | | | DESCRIPTION | | | |
| | | | | BESCHREIBUNG | SEE SHEET 1 | | |

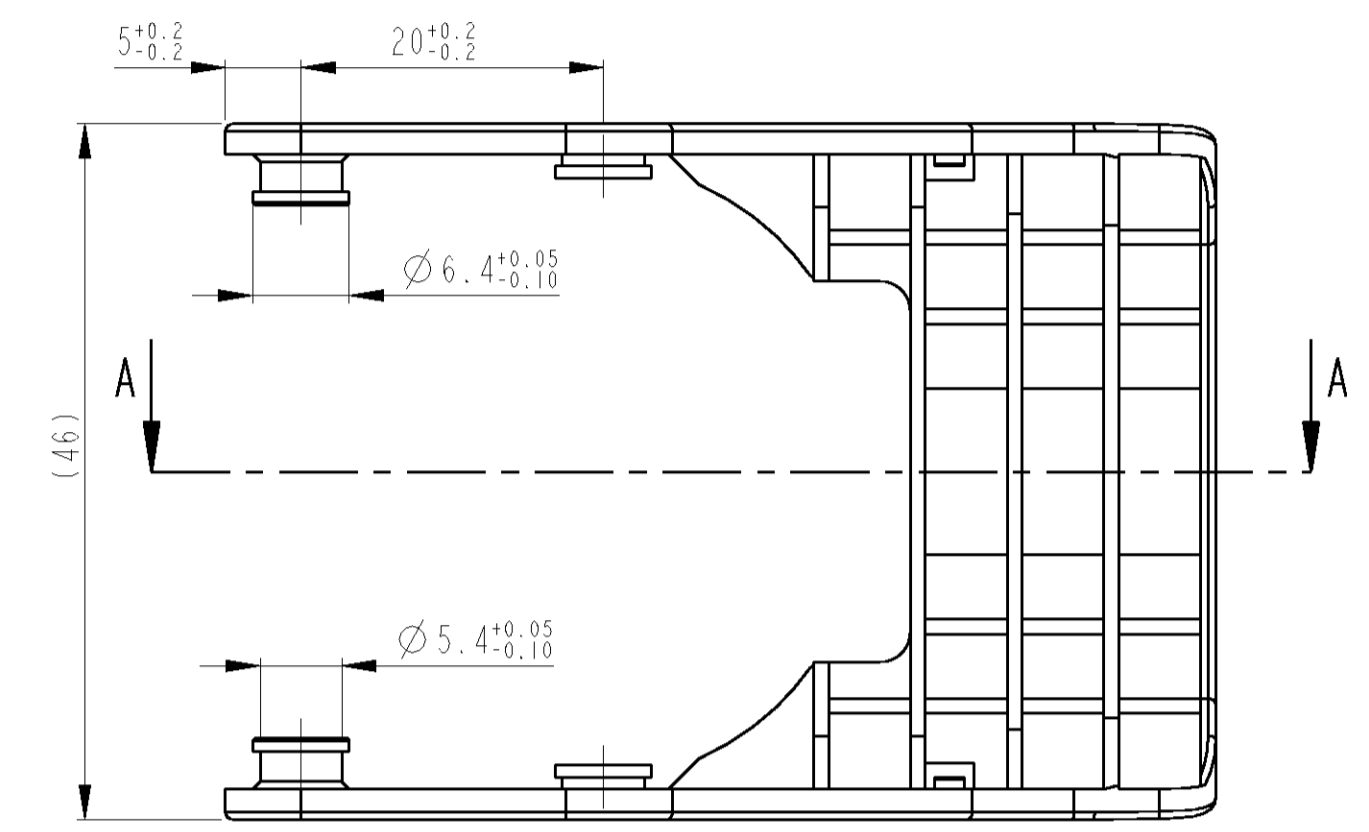
③ SHIELD, 90°
 Abdeckkappe, 90°
 I-1355122-2

MATERIAL: PA66-GF13
 COLOUR: BLACK
 Farbe: schwarz



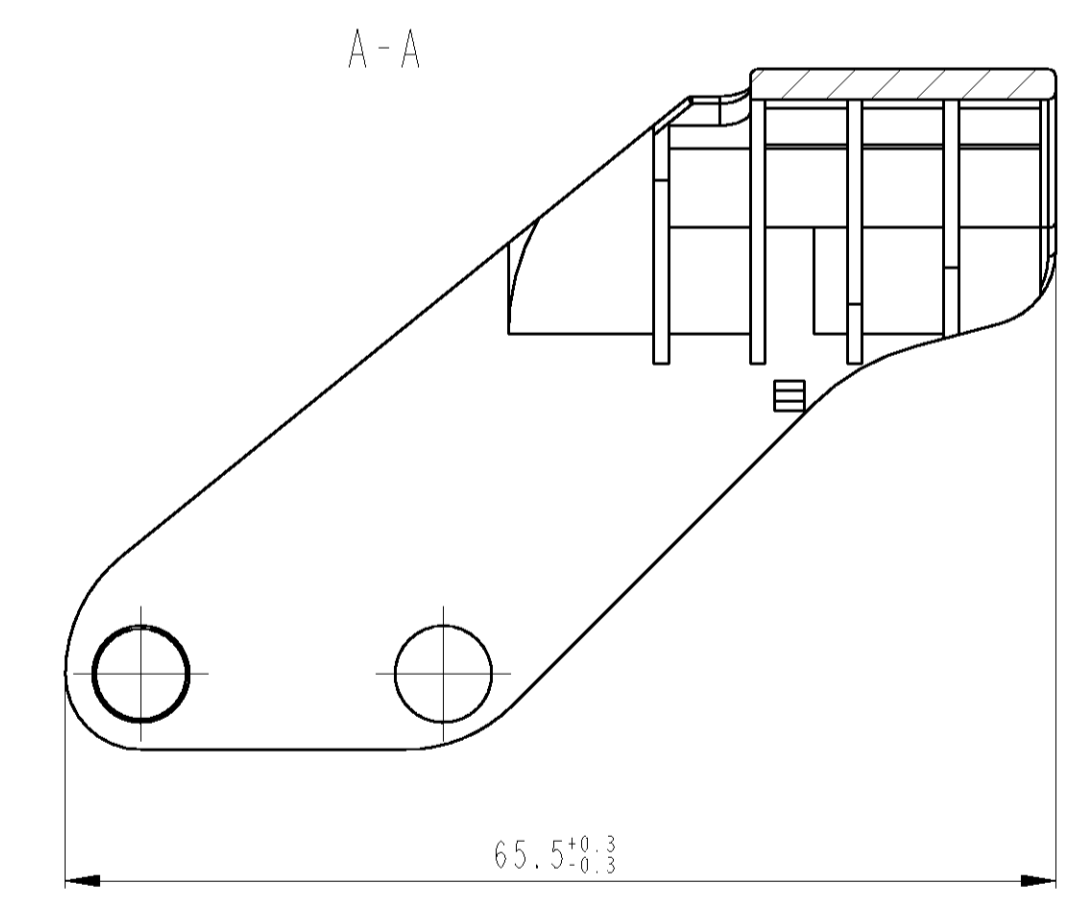
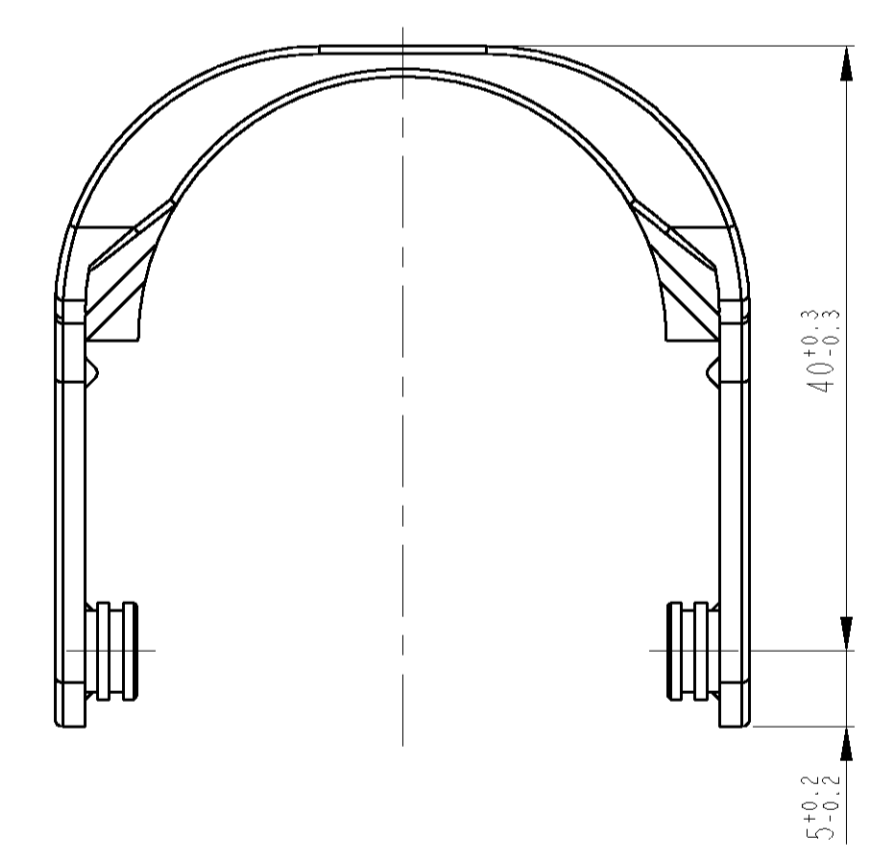
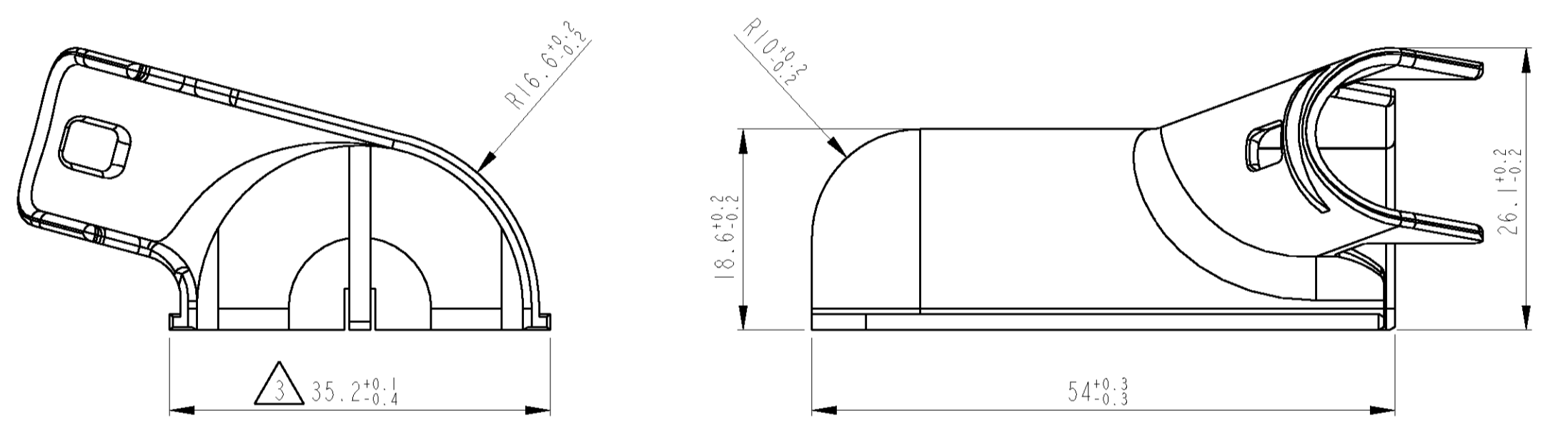
⑥ LEVER FOR RECEPTACLE HOUSING
 Hebel fuer Aufnahmegehaeuse
 I-1355133-1

MATERIAL: PA66-GF30
 COLOUR: BLACK
 Farbe: schwarz



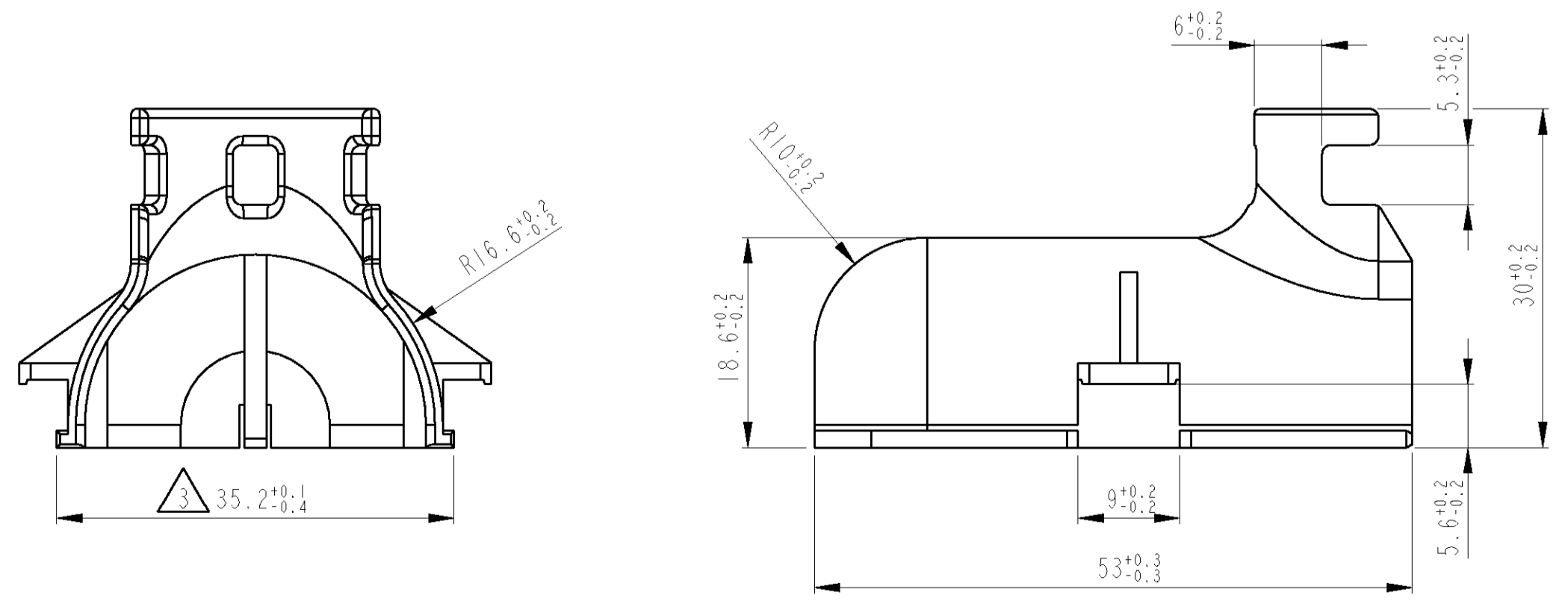
④ SHIELD, 45°
 Abdeckkappe, 45°
 I394910-2

MATERIAL: PA66-GF13
 COLOUR: BLACK
 Farbe: schwarz



⑤ SHIELD, 180°
 Abdeckkappe, 180°
 I394908-3

MATERIAL: PA66-GF13
 COLOUR: BLACK
 Farbe: schwarz



| | | | | | | | | | | | |
|--|--|--|--|---|--|-------------------------------|--|------------------------|--|--------------------------|--|
| DIMENSIONS: MASSEINHEITEN: TITEL | | TOLERANCES UNLESS OTHERWISE SPECIFIED: ALLSEITE INTOLERANZEN | | DWN B. Sellien I40RT2002 | | EAK B. Leonhardi I40RT2002 | | APVD | | NAME | |
| | | ACC. TO 1. PLC ± DIN 16901-140 2. PLC ± CENTRIC TO 3. PLC ± NOMINAL DIM FINISH/OBERFLAECHE/FARBE | | PRODUCT SPEC 108-18829 APPLICATION SPEC. 114-18521 | | SIZE A1 00779 | | DRAWING NO. 1534903 | | RESTRICTED TO NUR FÜR | |
| MATERIAL | | FINISH/OBERFLAECHE/FARBE | | WEIGHT GEWICHT | | CUSTOMER DRAWING | | /KUNDENZEICHNUNG | | SCALE MASSSTAB 2:1 | |
| | | | | | | | | SHEET BLATT 3 | | OF VON 3 | |
| | | | | | | | | | | REV D6 | |



CONNECTOR HOUSING., 60 POSN.
 Steckverbindergehaeuse., 60pol.
 MQS + 1.5mm Clean Body Contacts