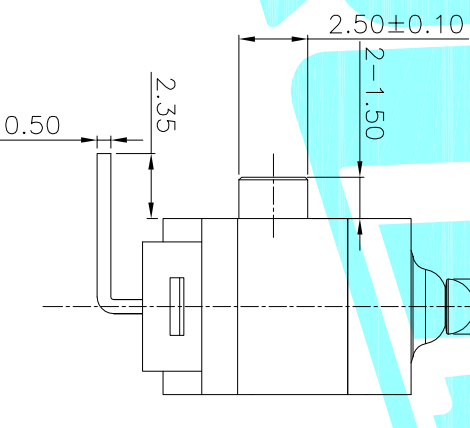
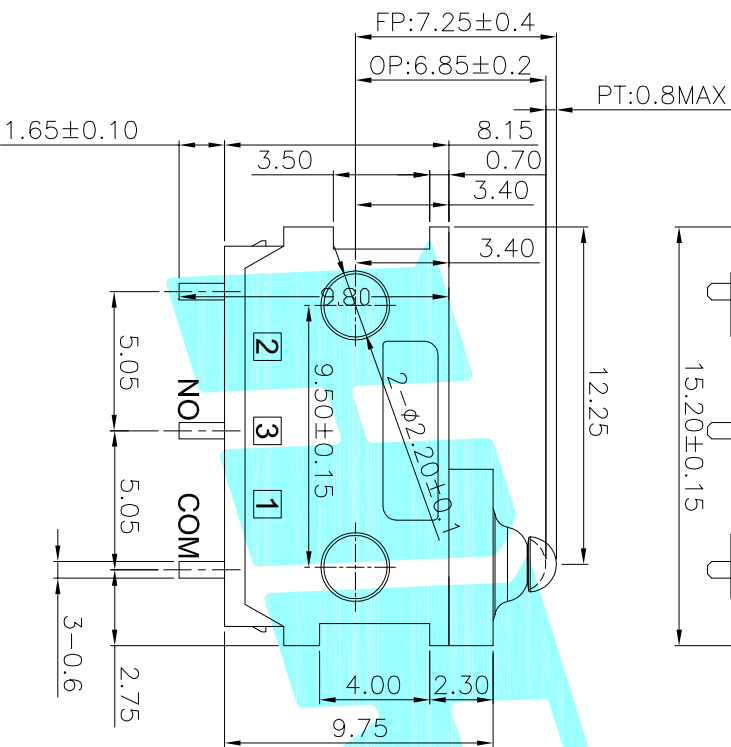
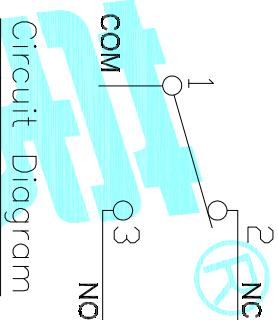
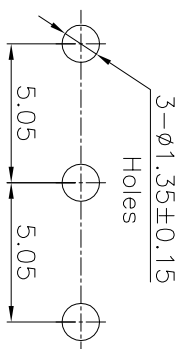
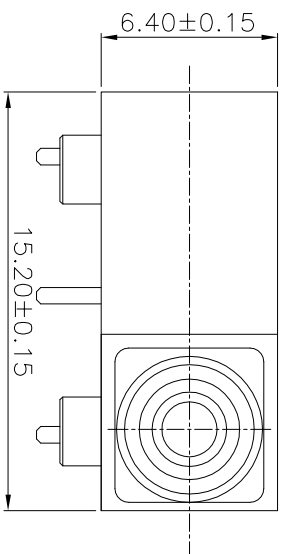


INGRESS PROTECTION:IP67



- NOTE:
1. Rating1:DC12V 3A  
Rating2:48V DC/125V AC/250V AC 0.1A
  2. Operating froce:130gf MAX
  3. Electric Life:10,000
  4. Mechanical Life:1,000,000

⑦	Shrapnel	—	1	Brass	Plating silver	—
⑥	Contact	—	1	Ag	—	—
⑤	Sealed Circle	—	1	Silicone Rubber	—	—
④	Terminal	—	3	Brass(0.50t)	Plating silver	—
③	Plunger	—	1	POM	Black	—
②	Cose	—	1	PA	Black	—
①	Cover	—	1	PA	Black	—
ITEM	PART NAME	TER'NO.	QTY.	MATERIAL	FINISHING	REMARK

APPROVALS	DATE	ELECTRONICS CO.,LTD	
DRAWN	LUCAN	2020/9/14	
CHECKED		TITLE:	MICRO SWITCHS
APPROVALS		PART NO.	K9-1802N

ECN NO.	REV.	DATE.	DESCRIPTION.	CHANGE.	CHECK.	APPRO.	TOLERANCES ARE	30~R/L	±0.30	ANGLE	UNIT: mm	SCALE: 1:1	PROD.	SHEET
	A		NEW				10~S0	±0.20					PROJ.	1 OF 1
							5~T0	±0.15	±2'					