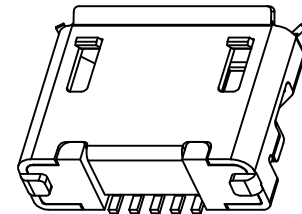
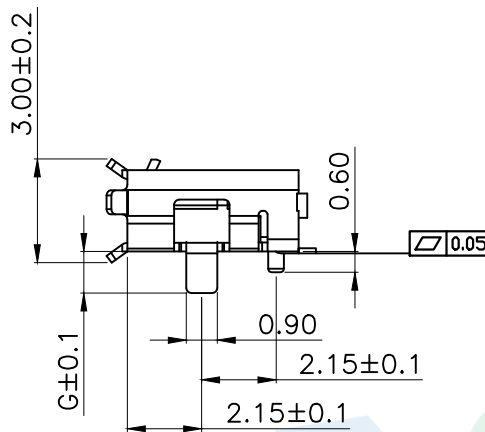
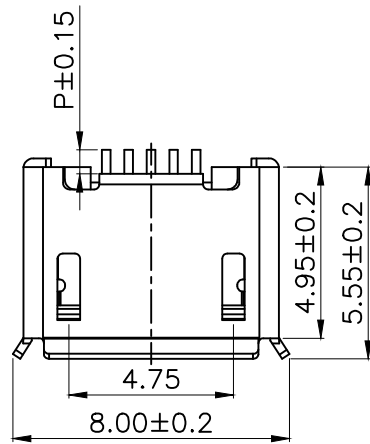


RoHS



Pin length		Shell foot length	
CODE	P	CODE	G
P1	0.80	G1	0.80
P2	1.00	G2	1.00
P3	1.25	G3	1.25
		G4	1.65

规格说明:Specifications

电气特性:Electrical

- 1.额定电流:Current Rating
1.0A/contact terminal
- 2.额定电压:Voltage Rating
30V DC
- 3.接触阻抗>Contact Resistance
50 milliohms Max
- 4.耐电压:Dielectric Withstanding Voitage
AC 100V/1MINUTE.
- 5.绝缘阻抗:Insulation Resistance
100MEGA Ohms Min

物理性能:Mechanical

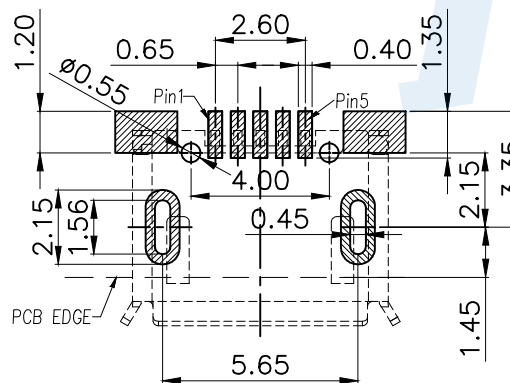
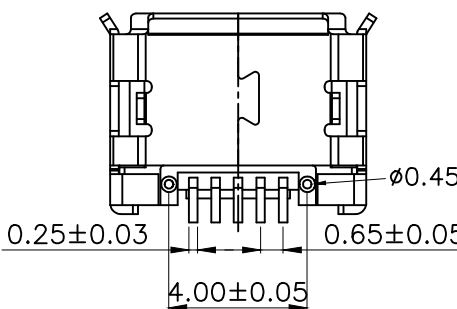
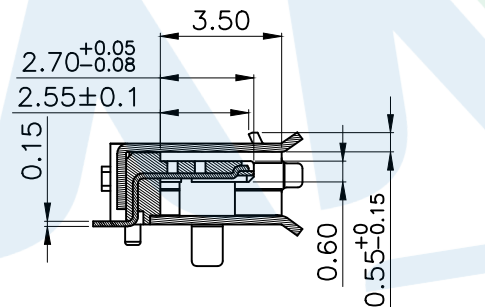
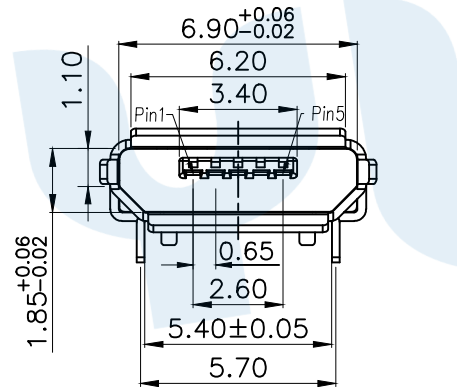
- 1.插拔力:Connector Mate and Unmate Force
Insertion force:3.57kgf(MAX)
Extraction force:1.02kgf(Min).0.81~2.05kgf(Min).
- 端子保持力:Terminal Retention
0.5kgf(MIN)

◎	Terminal		5	Brass	Au Plating
◎	Shee		1	Brass	Tin Plating
◎	Base		1	LCP	Black
NO.	Name	Number	Qty	Materil	Remarks

YUANDI® Yuandi Electronics Co, Ltd
元典

design	date	name	USB CONNECTOR
Review	date	model	MICRO-01-G□P□-A1T2
Approved	date		

Drawing number: modify Review Approved Tolerance not specified Proportion 1:1 unit mm gage number A4



Recommended P.C.B Layout

						angle	±2'			design	date	name	USB CONNECTOR		
						10~30	±0.30			Review	date	model	MICRO-01-G□P□-A1T2		
						5~10	±0.20			Approved	date				
						~ 5	±0.10			Drawing number:					
						modify	Review	Approved	Tolerance not specified	Proportion	1:1	unit	mm	gage number	A4