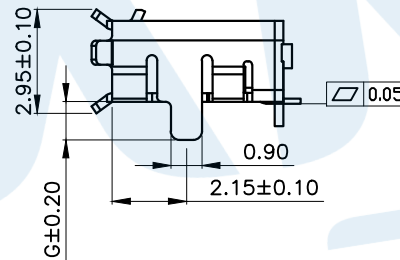
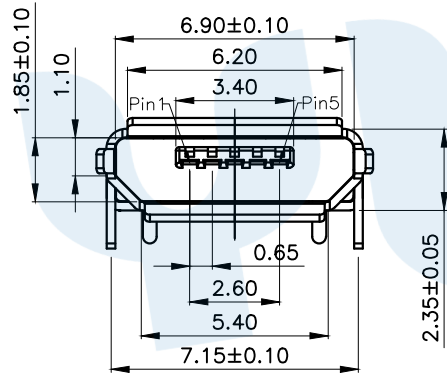
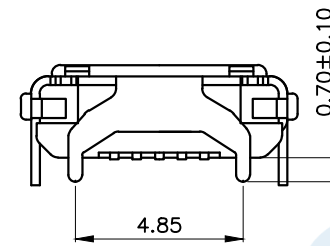
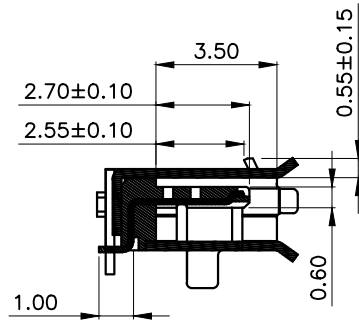
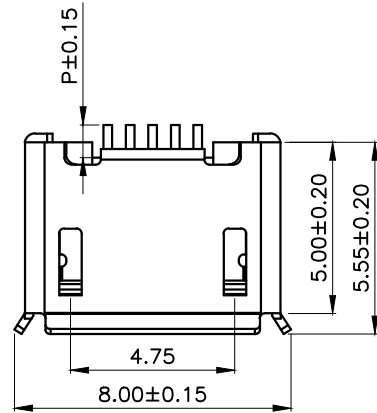


RoHS



Pin length		Shell foot length	
CODE	P	CODE	G
P1	0.80	G2	1.20
P2	1.00	G5	1.80
P3	1.25		

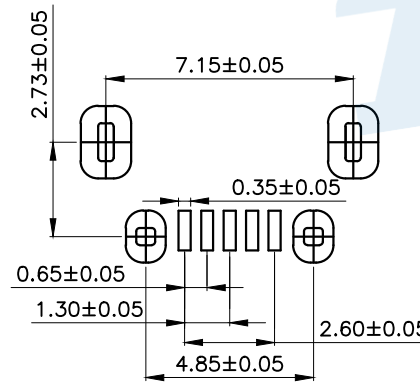
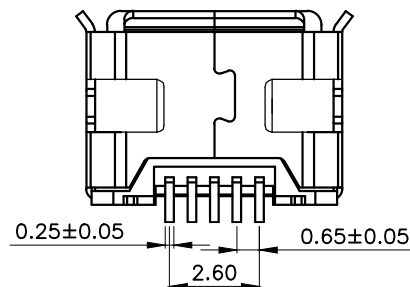
规格说明: Specifications

电气特性: Electrical

1. 额定电流: Current Rating
1.0A/contact terminal
2. 额定电压: Voltage Rating
30V DC
3. 接触阻抗: Contact Resistance
50 milliohms Max
4. 耐电压: Dielectric Withstanding Voitage
AC 100V/1MINUTE.
5. 绝缘阻抗: Lnsulation Resistance
100MEGA Ohms Min

物理性能: Mechanical

1. 插拔力: Cnnektor Mate and Unmate Force
Insertion force: 3.57kgf(MAX)
Extraction force: 1.02kgf(Min). 0.81~2.05kgf(Min).
- 端子保持力: Terminal Retenion
0.5kgf(MIN)



Recommended P.C.B Layout

◎	Terminal		5	Brass	Au Plating
ⓑ	Shee		1	Brass	Tin Plating
Ⓐ	Base		1	LCP	Black
NO.	Name	Number	Qty	Materil	Remarks

YUANDI® Yuandi Electronics Co, Ltd
元迪

design	date	name	USB CONNECTOR
Review	date	model	MICRO-09-G□P□-A2T2
Approved	date		

Drawing number: Proportion 1:1 unit mm gage number A4

modify Review Approved Tolerance not specified

angle	±2'
10~30	±0.30
5~10	±0.20
~ 5	±0.10