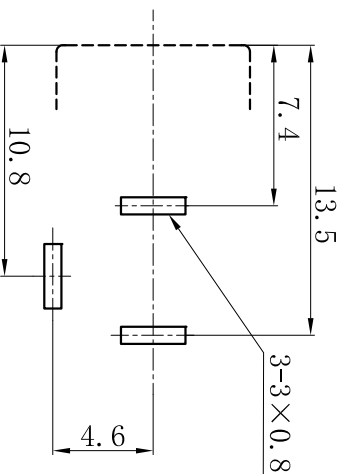
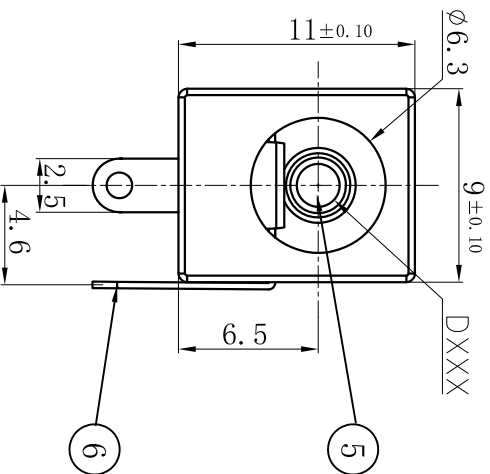


DC-005-DXXX

DC Power jack

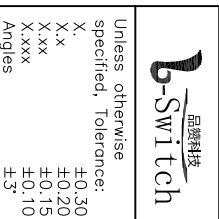
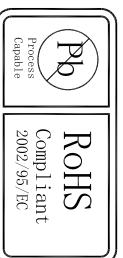
G-Switch P/N:

D:needle diameter
D020=2.0mm
D025=2.5mm



G-Switch Specification:
Operating temperature range: -30°C to +85°C
Rating: 1.0A, 24V DC
Insulation resistance: 100MΩ min, 100V DC
Dielectric strength: 500V AC for 1 min
Contact resistance: 30m Ω max.
Life: 5, 000 Cycles

6	PIN	1	HPB50-1	MB: Cu Cu/Sn PLATE
5	TIP SPRING	1	SUS II=0.2	MB: Cu Cu/Sn PLATE
4	SHUNT SPRING1	C2680	T=0.3	MB: Cu Cu/Sn PLATE
3	REMDNAL	1	C2680	T=0.3
2	HOUSING	1	PBT UL 94V-0	BLACK
1	HOUSING	1	PBT UL 94V-0	BLACK
LTR	PART NAME	QTY	MATERIAL	



G-Switch Electronic (HongKong) CO., Ltd.		DESIGN	陈伟彬	DATE	2016.05.29	TITLE:	DC-005-DXXX
CHECKED		DATE		DATE		REV: X1	SCALE: 4:1
APPROVED		DATE		DATE		SIZE: A4	SHEET: 1/1
http://www.dg-switch.com		REV: X1		SCALE: 4:1		UNIT: mm	
TEL: 0769-82388879		SIZE: A4		SHEET: 1/1		UNIT: mm	