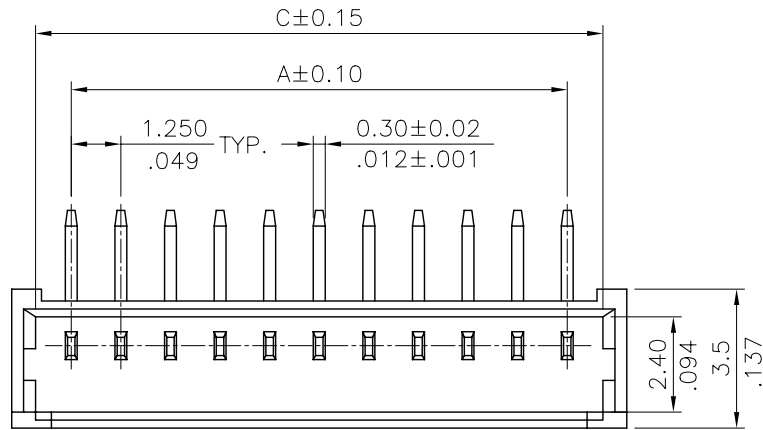


**ORDERING CODE:**

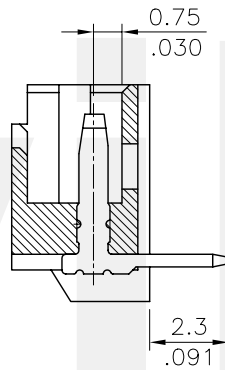
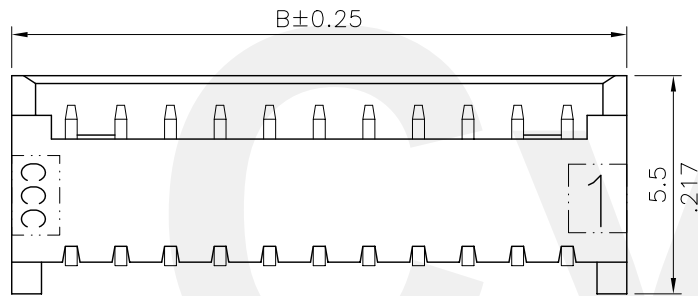
CI44 \*\* P 1 H \* \* -NH  
 ① ② ③ ④ ⑤ ⑥ ⑦ ⑧

- ① SERIES NO.:
- ② NO. OF CIRCUITS: 02 TO 15
- ③ CONTACTS TYPE: P= Plug
- ④ PLATING OPTION:  
1= Matte Tin Plated over Nickel
- ⑤ TAIL STYLE: H= RIGHT ANGLE
- △ ⑥ Color: 0=Nature  
1= Black
- △ ⑦ Other Option: 0=STANDARD
- ⑧ Process:  
-NH= For Lead Free IR Processes and Halogen-Free

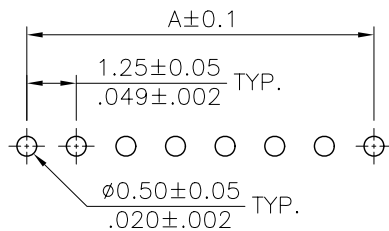


Note:

- \* Material :  
Insulation: Nylon 6T+30% G.F UL 94V-0  
Color Nature  
Contact : Phosphor Bronze
- \* Recommended mating part:  
Housing : CI44\*\*S0000  
Terminal : CI44T011PP0



Circuits	Dimension		
	A	B	C
2	1.25(.049)	4.35(.171)	3.15(.124)
3	2.50(.098)	5.6(.220)	4.40(.173)
4	3.75(.148)	6.85(.270)	5.65(.222)
5	5.00(.197)	8.1(.319)	6.90(.272)
6	6.25(.246)	9.35(.368)	8.15(.321)
7	7.50(.295)	10.6(.417)	9.40(.370)
8	8.75(.344)	11.85(.467)	10.65(.419)
9	10.00(.394)	13.1(.516)	11.90(.469)
10	11.25(.443)	14.35(.565)	13.15(.518)
11	12.50(.492)	15.6(.614)	14.40(.567)
12	13.75(.541)	16.85(.663)	15.65(.616)
13	15.00(.591)	18.1(.713)	16.90(.665)
14	16.25(.640)	19.35(.762)	18.15(.715)
15	17.50(.689)	20.6(.811)	19.40(.764)



Recommended P.C. Board Layout

Halogen-Free

Lead Free Process

RoHS Compliant

4																			
3																			
2																			
1	Karen	8/11-08'	ECN08389																
SYM	NAME	DATE	REVISIONS																

CVILUX.XORP  
2008.08.19  
ISSUED

DRAWN BY: Karen 8/11-08'

ENGINEER: Eisley 8/14-08'

CHECKED BY: Alex 8/14-08'

APPROVED BY: Alex 8/14-08'

UNIT: mm / inch

TOLERANCE UNLESS OTHERWISE SPECIFIED

.X ± 0.25/010	X' ± 1'
.XX ± 0.15/006	.X' ±
.XXX ± 0.08/003	.XX' ±

TITLE: 1.25MM(.049")  
RIGHT ANGLE HEADER

MATERIAL:

FINISH:

瀚荃股份有限公司  
CviLux Corporation

DRAWING NO.	CI4455SB	PART NO.	CI44**P1H*0-NH
SCALE	5 / 1	SHEET	1 OF 1