

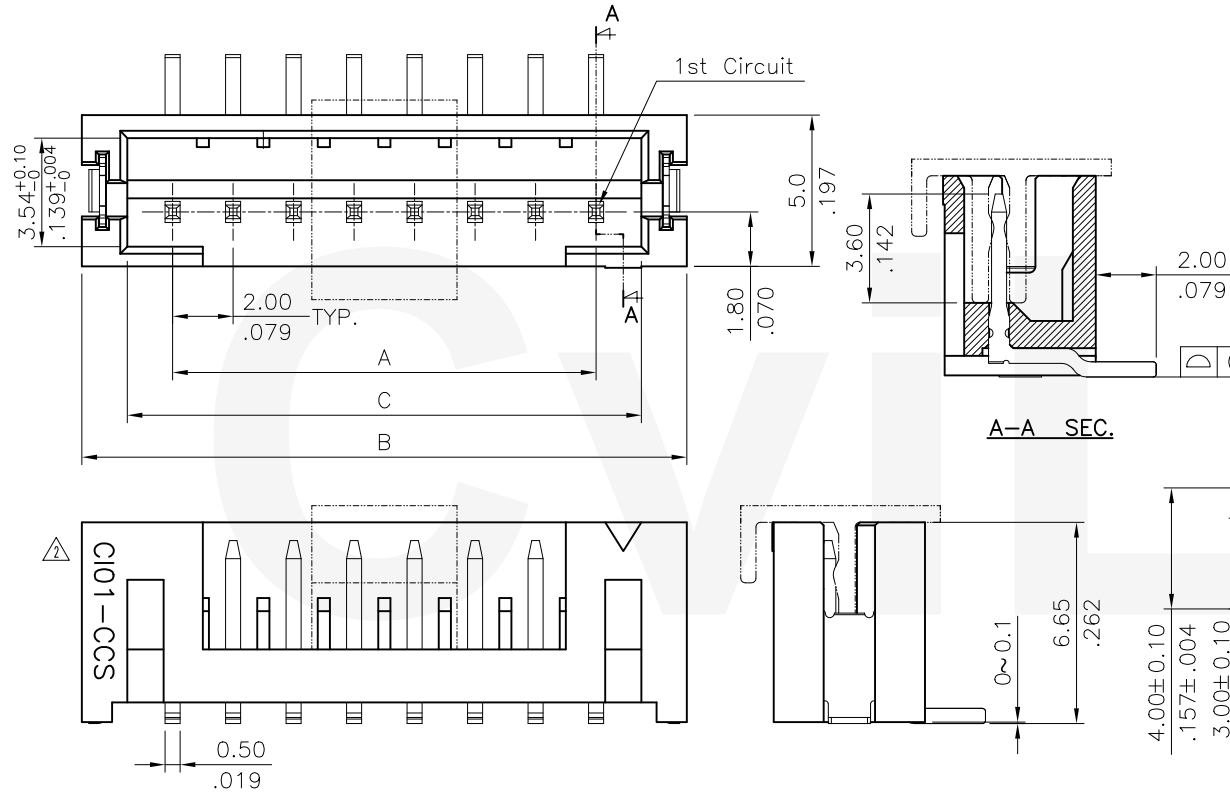
Note: 1. Material:

- * Insulation: Nylon 6T UL 94V-0, Color Nature (Halogen-Free)
- * Contact: Brass
- * TAB: Brass with matte Tin plated

2. Plating:

- * TAB: Matte Tin plated over Nickel

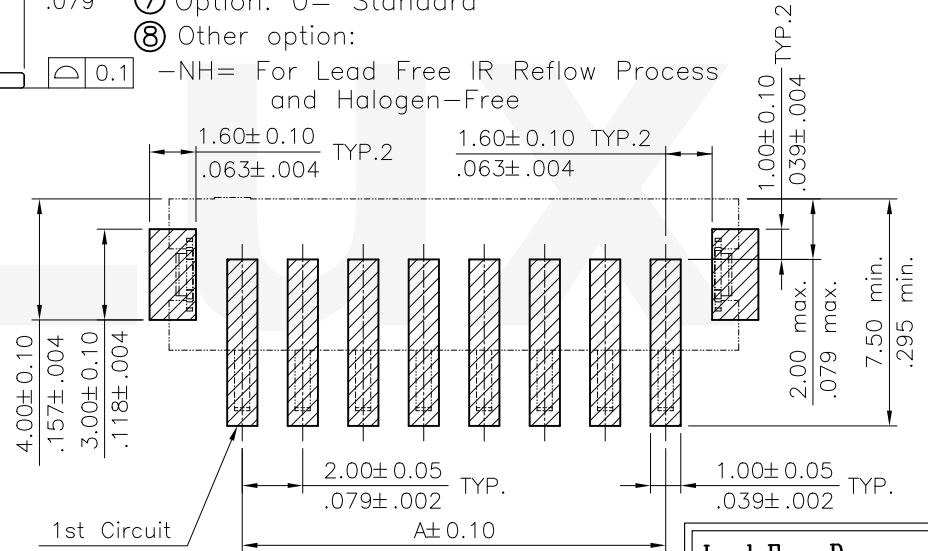
3. For Lead Free IR Reflow Process



Ordering Code:

CI01 ** M 1 V * 0 -NH
 ① ② ③ ④ ⑤ ⑥ ⑦ ⑧

- ① Series No.
- ② No. of Circuits:
- ③ Contacts Type: M= SMT
- ④ Plating: 1= 3.05μm(120μ") Min. Tin over
 1.27μm(50μ") Nickel(Matte Tin Finish)
 2= Gold Flash plated over
 1.27μm(50μ") Nickel
- ⑤ Type: V= Straight
- ⑥ Packing Options:
 R= Tape & Reel with Pad
 T= Tube Packing without Pad
- ⑦ Option: 0= Standard
- ⑧ Other option:
 -NH= For Lead Free IR Reflow Process and Halogen-Free



A = 2.00 x No. of Spaces
 B = A + 6.0
 C = A + 3.0

* Available in 2 through 15 circuits

		TOLERANCE		
Dim	Circuits	2~6P	7~10P	11~15P
A		±0.10	±0.15	±0.20

Sold Pad Pattern

Lead Free Process

Halogen-Free

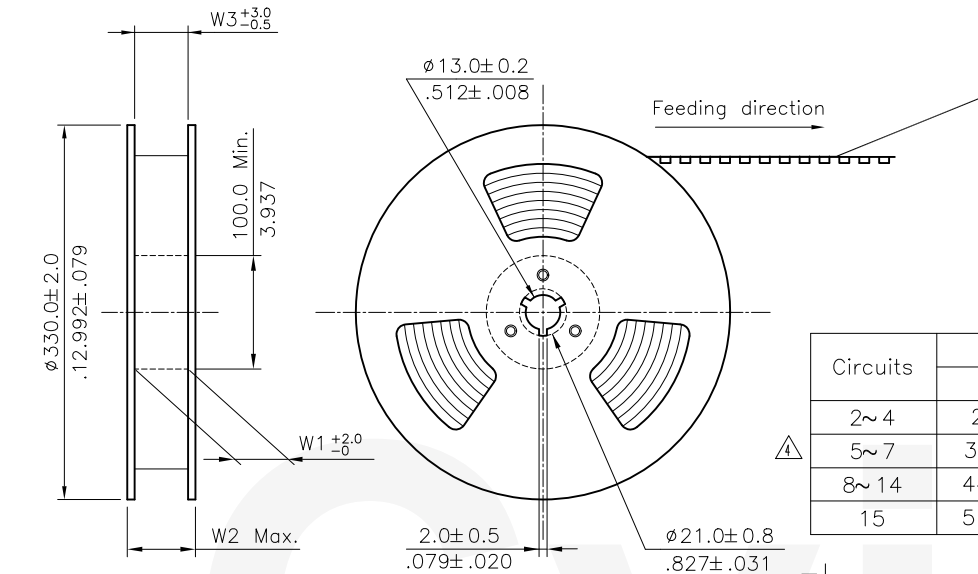
RoHS Compliant

④	Ken	4/11-18'	ECNT118070/ECRH118010		DATE	UNIT: mm / inch	TITLE: 2.00mm PITCH TOP ENTRY SMT HEADER	瀚荃股份有限公司 CviLux Corporation	DRAWING NO. CI0123AE PART NO. CI01**M*V*0-NH
③	Enya	3/5-13'	ECN13056-0/ECR13007-1	DRAWN BY: Ken	4/11-18'	TOLERANCE UNLESS OTHERWISE SPECIFIED	MATERIAL:		
②	Sun	9/21-11'	ECN11202	ENGINEER: Sun	4/16-18'	.X ± 0.30 X' ± 1'	FINISH:	SHEET 1 OF 2	
①	Sun	5/25-11'	ECR10039-2/ECN11060	CHECKED BY: Eisley	4/17-18'	.XX ± 0.20 .X' ±			
SYM	NAME	DATE	REVISIONS	APPROVED BY: Eisley	4/17-18'	.XXX ± 0.10 .XX ±			

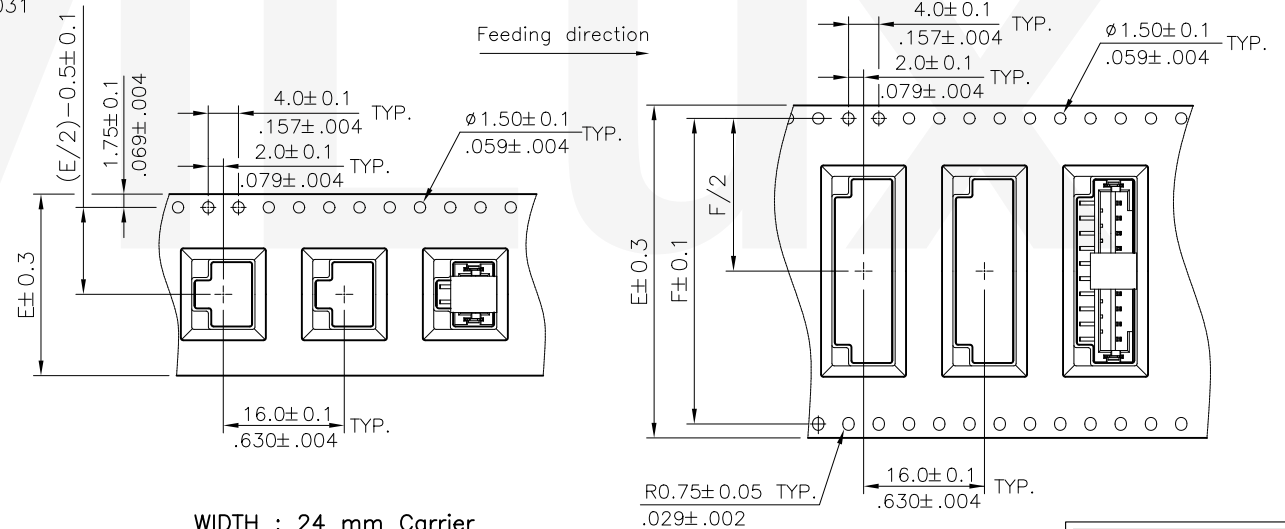
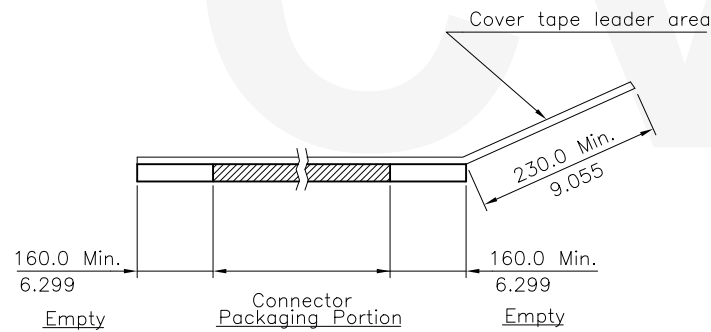
CIVILUX CORP
 2018.04.19
 ISSUED

NOTE :

- * Reel Material : Corrugated Paper
- * Carrier Material : Transparent Anti-static Polysyrene.
- * Cover Tape Material : Polyester
- * Cover Tape Peel Strength : 0.1N – 1.3N
- * Carrier camber is within 1mm in 100mm
- * All dimensions meet EIA-481-2 requirements.
- * Quantity : 500 PCS/Reel



Circuits	Dimension					Packing (Reel/Caton)
	E	F	W1	W2	W3	
2~4	24.0(.945)	-	24.5(.965)	30.5(1.200)	24.5(.965)	9
5~7	32.0(1.260)	28.40(1.118)	32.5(1.280)	38.5(1.516)	32.5(1.280)	7
8~14	44.0(1.732)	40.40(1.596)	44.4(1.748)	50.4(1.984)	44.4(1.748)	5
15	56.0(2.205)	52.40(2.062)	56.5(2.224)	62.5(2.460)	56.5(2.224)	4



WIDTH : 24 mm Carrier

WIDTH : 32,44,56 mm Carrier

RoHS Compliant

SYM	NAME	DATE	REVISIONS	APPROVED BY:	DATE	UNIT: mm / inch	TITLE: 2.00mm PITCH TOP ENTRY SMT HEADER	MATERIAL:	DRAWING NO. CIO123AE	PART NO. CIO1**M*V*0-NH	SCALE	SHEET 2 OF 2
4	Ken	4/11-18'	ECN118070/ECRH118010		DATE	UNIT: mm / inch	TITLE: 2.00mm PITCH TOP ENTRY SMT HEADER					
3	Enya	3/5-13'	ECN13056-0/ECR13007-1	DRAWN BY: Ken	4/11-18'	TOLERANCE UNLESS OTHERWISE SPECIFIED						
2	Sun	9/21-11'	ECN11202	ENGINEER: Sun	4/16-18'	.X ±						
1	Sun	5/25-11'	ECR10039-2/ECN11060	CHECKED BY: Eisley	4/17-18'	.XX ±						
				APPROVED BY: Eisley	4/17-18'	.XXX ±						

CIVILUX CORP
2018.04.19
ISSUED

瀚荃股份有限公司
CviLux Corporation