



---

# SK3410R120

Band41, RF-Rx SAW Filter  
Revision 0: August 2017

MSL 3 Device



- Electrical Characteristics
  - Package Dimensions
  - Testing Environment
  - Frequency Characteristics
-

## □ Electrical Characteristics

### Maximum Ratings

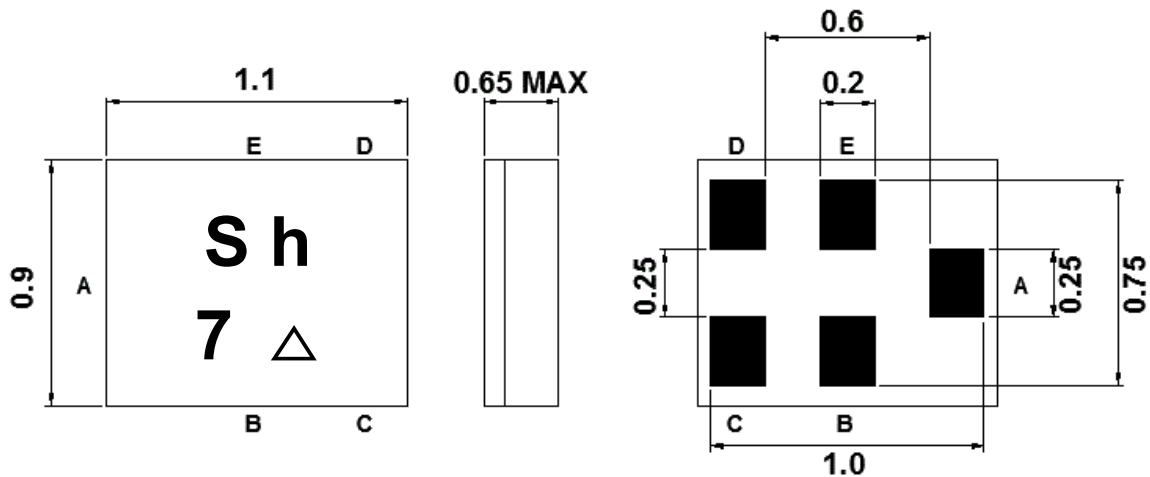
| Parameters Description                       | Unit            | Minimum | Typical   | Maximum |
|--|-----------------|---------|-----------|---------|
| Operating Temperature Range                  | °C              | -30     | -         | +85     |
| Storage Temperature Range                    | °C              | -40     | -         | +85     |
| Maximum DC Voltage                           | V               | -       | -         | -       |
| Maximum Input Power                          | dBm             | -       | -         | 15      |
| Source Impedance (unbalanced) <sup>(1)</sup> | Ω               | -       | 50        | -       |
| Load Impedance (unbalanced) <sup>(1)</sup>   | Ω               | -       | 50        | -       |
| Package type & size                          | C14             |         |           |         |
| Length x Width                               | mm <sup>2</sup> | -       | 1.1 x 0.9 | -       |
| Height                                       | mm              | -       | -         | 0.65    |

### Electrical Specification

| Parameters Description                      | Unit              | Minimum | Typical | Maximum |
|---|-------------------|---------|---------|---------|
| Center Frequency (Fo)                       | MHz               | -       | 2595.0  | -       |
| Insertion Loss within 2535.0 ~ 2655.0 MHz   | dB                | -       | 1.6     | 2.8     |
| Amplitude Ripple within 2535.0 ~ 2655.0 MHz | dB <sub>p-p</sub> | -       | 0.5     | 2.0     |
| <b>Attenuation:</b>                         |                   |         |         |         |
| 2110.0 ~ 2170.0 MHz                         | dB                | 18      | 21      | -       |
| 2401.0 ~ 2468.0 MHz (WLAN Ch 1~10)          | dB                | 23      | 26      | -       |
| 2451.0 ~ 2473.0 MHz (WLAN Ch 11)            | dB                | 25      | 30      | -       |
| 2456.0 ~ 2478.0 MHz (WLAN Ch 12)            | dB                | 25      | 30      | -       |
| 2461.0 ~ 2483.0 MHz (WLAN Ch 13)            | dB                | 25      | 29      | -       |
| 2775.0 ~ 4992.0 MHz                         | dB                | 18      | 22      | -       |
| VSWR within 2535.0 ~ 2655.0 MHz             | -                 | -       | 2.1     | 2.5     |

**Notes :** (1) With Matching Network (Ref. Testing Environment Circuit as shown below).

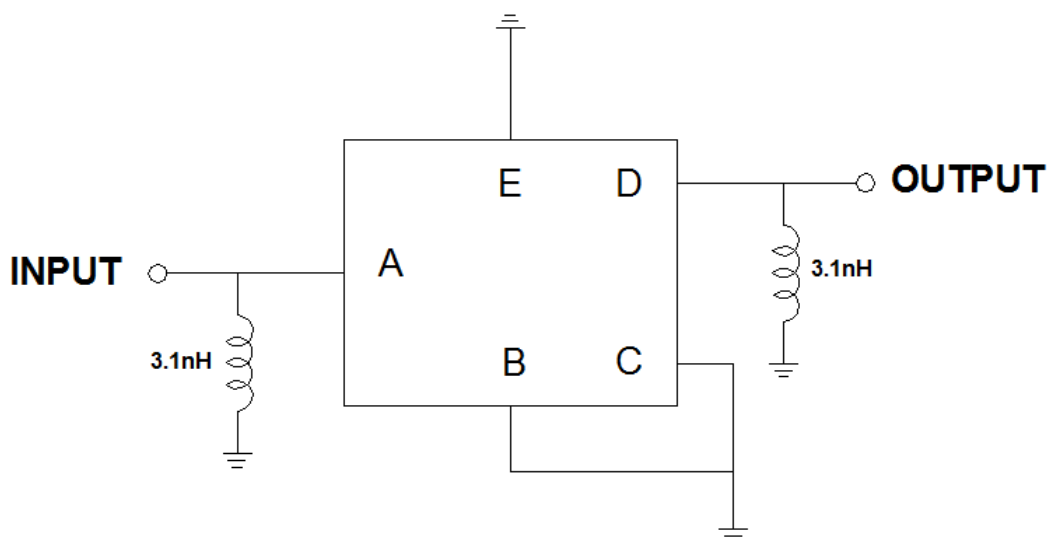
## Package Dimensions



| Marking Descriptions |                       |
|----------------------|-----------------------|
| S                    | SUNTEK                |
| h                    | Band Class            |
| 7                    | Series Number         |
| △                    | Date Code(Year+Month) |

| Pin Description |        |
|-----------------|--------|
| B, C, E         | Ground |
| A               | Input  |
| D               | Output |

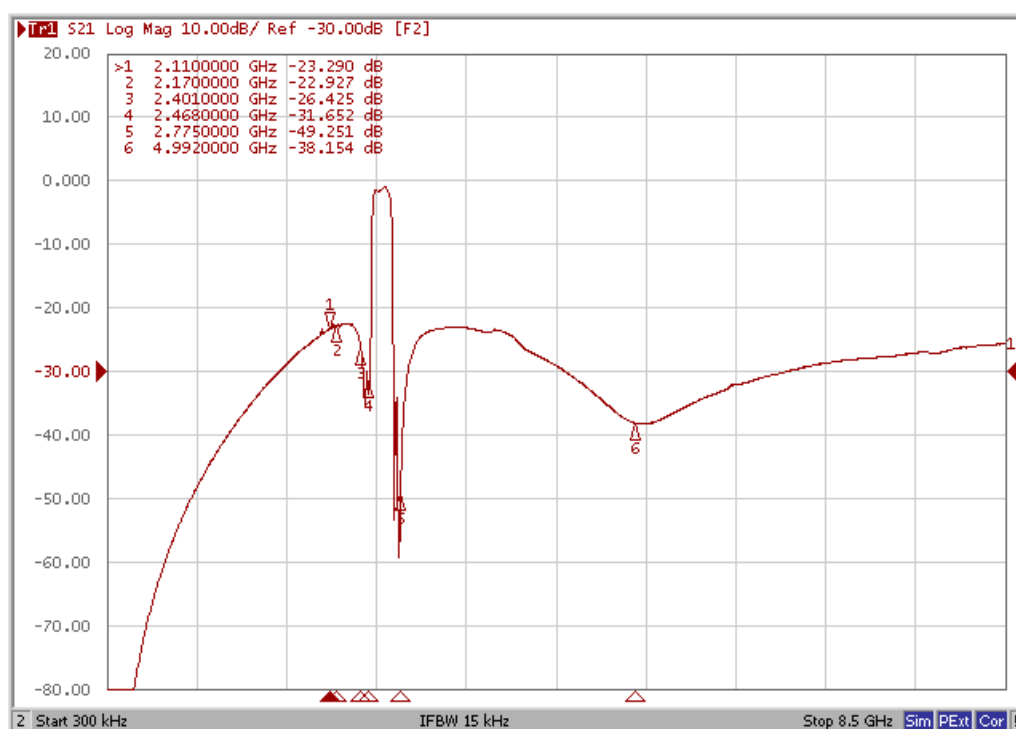
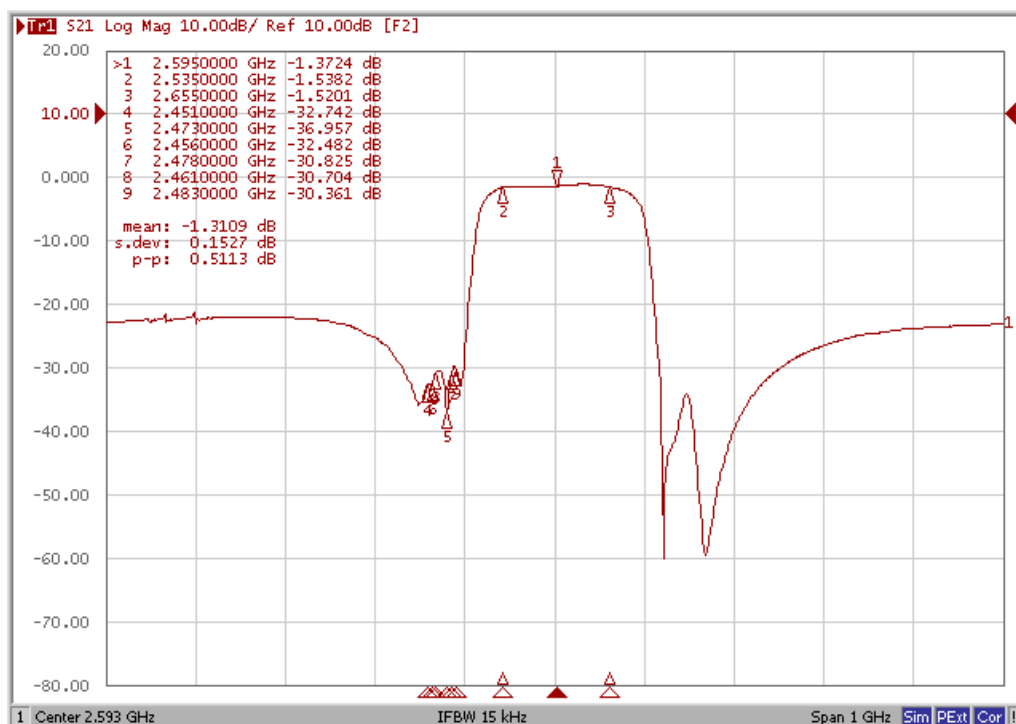
## Testing Environment



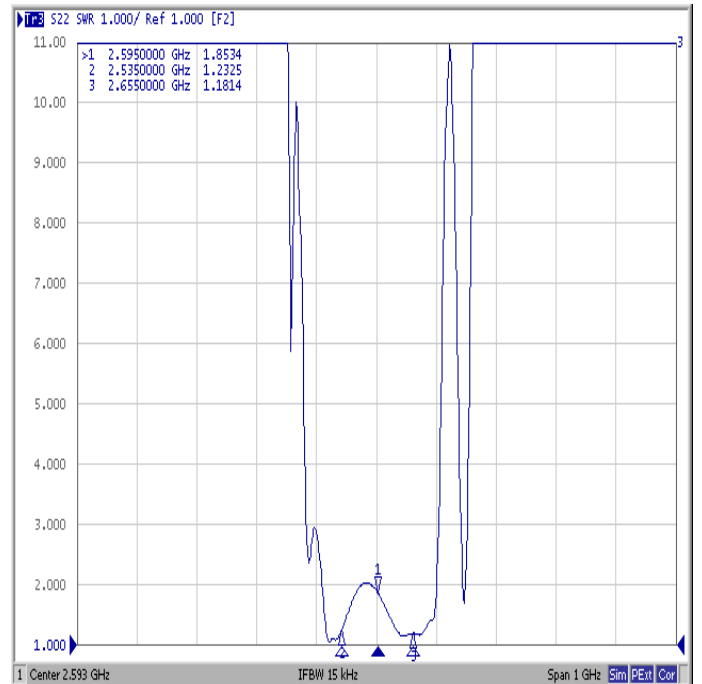
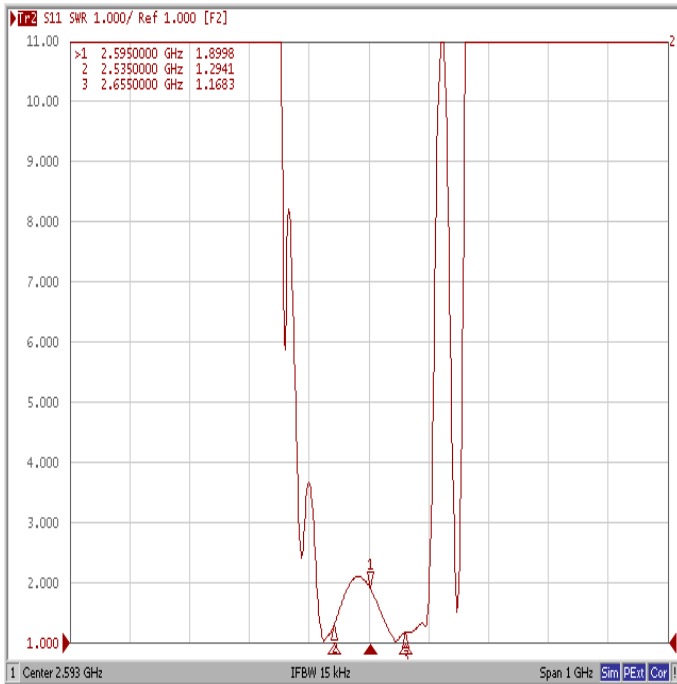
Source & Load Impedance: 50 Ω

## □ Frequency Characteristics

### Frequency Response



### VSWR



### Smith Chart

