



SK3520L

GPS, RF SAW Filter

Revision 0: June 2013



- Electrical Characteristics
- Package Dimensions
- Testing Environment
- Frequency Characteristics

□ Electrical Characteristics

Maximum Ratings

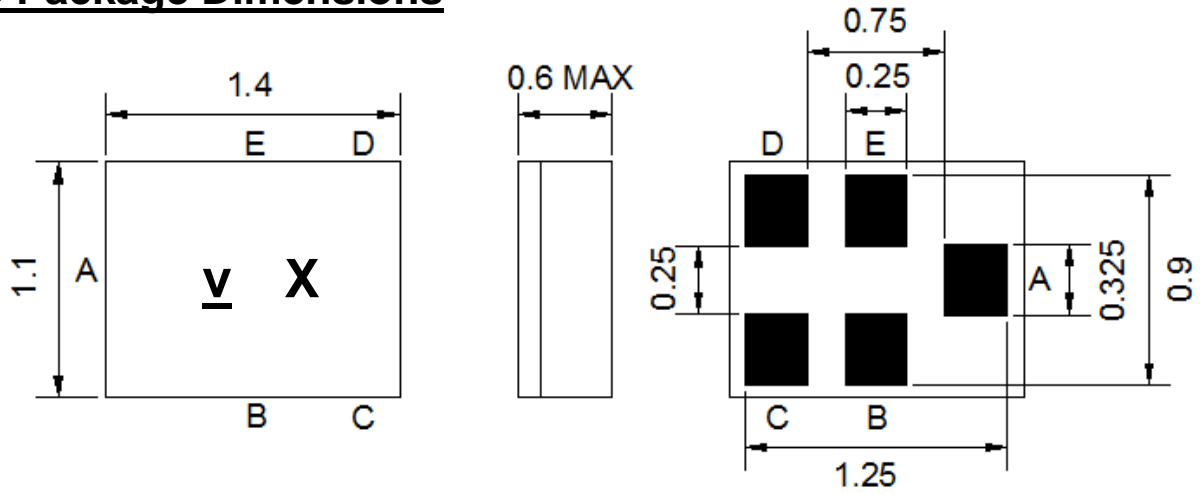
Parameters Description	Unit	Minimum	Typical	Maximum
Operating Temperature Range	°C	-40	-	+85
Storage Temperature Range	°C	-40	-	+85
Maximum DC Voltage	V	-	-	3
Maximum Input Power	dBm	-	-	15
Source Impedance (single ended) ⁽¹⁾	Ω	-	50	-
Load Impedance (single ended) ⁽¹⁾	Ω	-	50	-
Package type & size	C23			
Length x Width	mm ²	-	1.4 x 1.1	-
Height	mm	-	-	0.6

Electrical Specification

Parameters Description	Unit	Minimum	Typical	Maximum
Center Frequency (Fo)	MHz	-	1575.42	-
Insertion Loss within 1574.42~1576.42 MHz	dB	-	0.8	1.3
Amplitude Ripple within 1574.42~1576.42 MHz	dB _{p-p}	-	0.02	0.6
Attenuation:				
D.C. ~ 880.0 MHz	dB	40	45	-
880.0 ~ 915.0 MHz	dB	40	45	-
915.0 ~ 1453.0 MHz	dB	40	45	-
1453.0 ~ 1525.0 MHz	dB	35	40	-
1625.0 ~ 1710.0 MHz	dB	40	46	-
1710.0 ~ 2025.0 MHz	dB	40	46	-
2025.0 ~ 2250.0 MHz	dB	40	50	-
2250.0 ~ 2400.0 MHz	dB	40	48	-
2400.0 ~ 2700.0 MHz	dB	40	47	-
2700.0 ~ 6000.0 MHz	dB	23	28	-
VSWR within 1574.42~1576.42 MHz	-	-	1.15	1.8

Notes : (1) No Matching Network (Ref. Testing Environment Circuit as shown below).

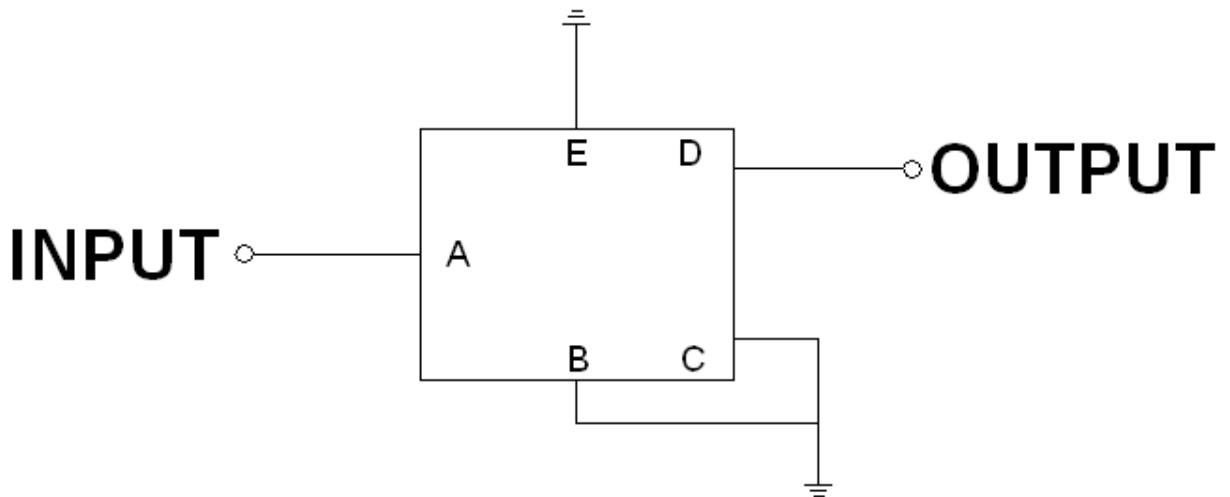
□ Package Dimensions



Marking Descriptions	
v	Series Number
X	Date Code(Year+Month)

Pin Description	
B, C, E	Ground
A	Input
D	Output

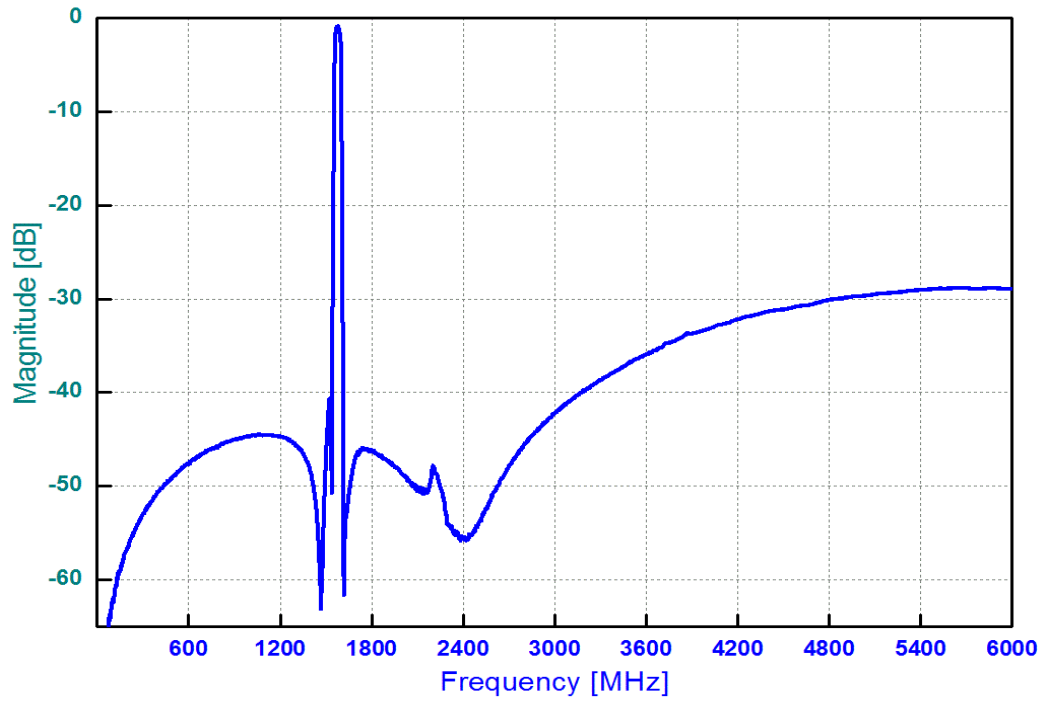
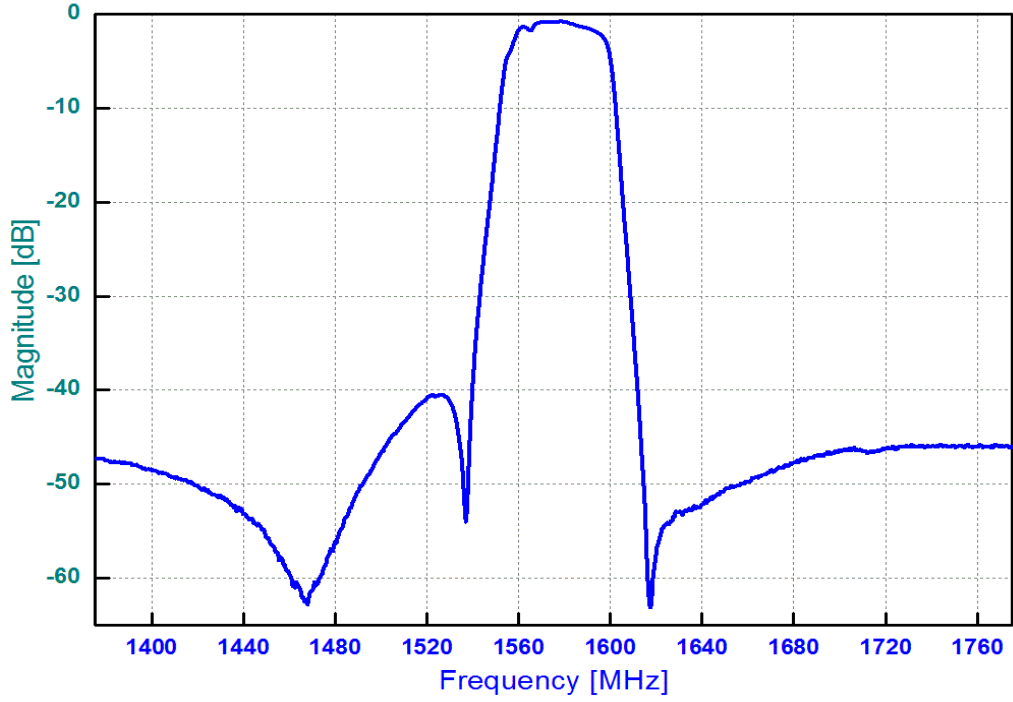
□ Testing Environment



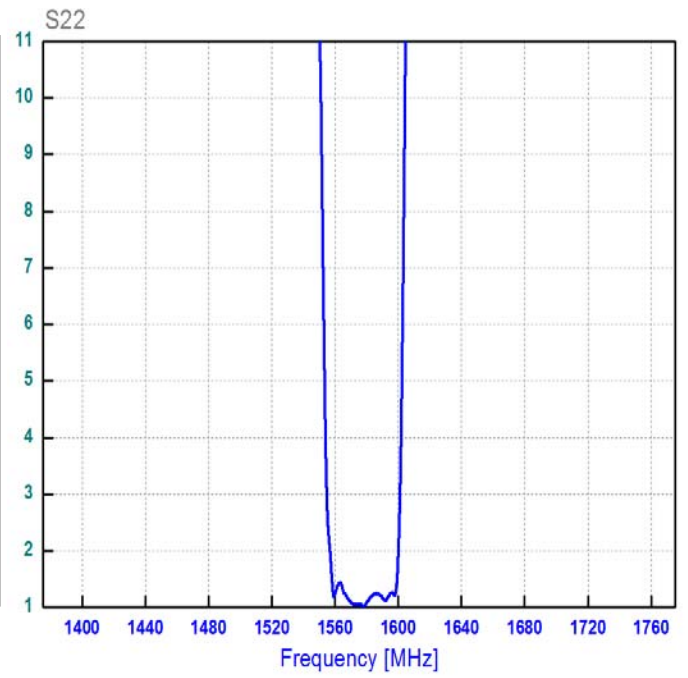
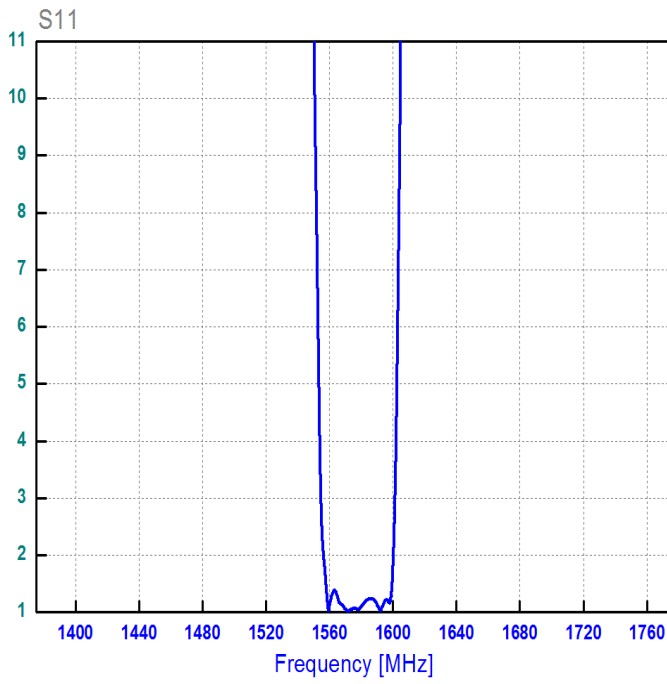
Source & Load Impedance: 50 Ω

□ Frequency Characteristics

Frequency Response



VSWR



Smith Chart

