



SK3400

LTE-Band40, RF SAW Filter
Revision 0: February 2014



- Electrical Characteristics
 - Package Dimensions
 - Testing Environment
 - Frequency Characteristics
-

□ Electrical Characteristics

Maximum Ratings

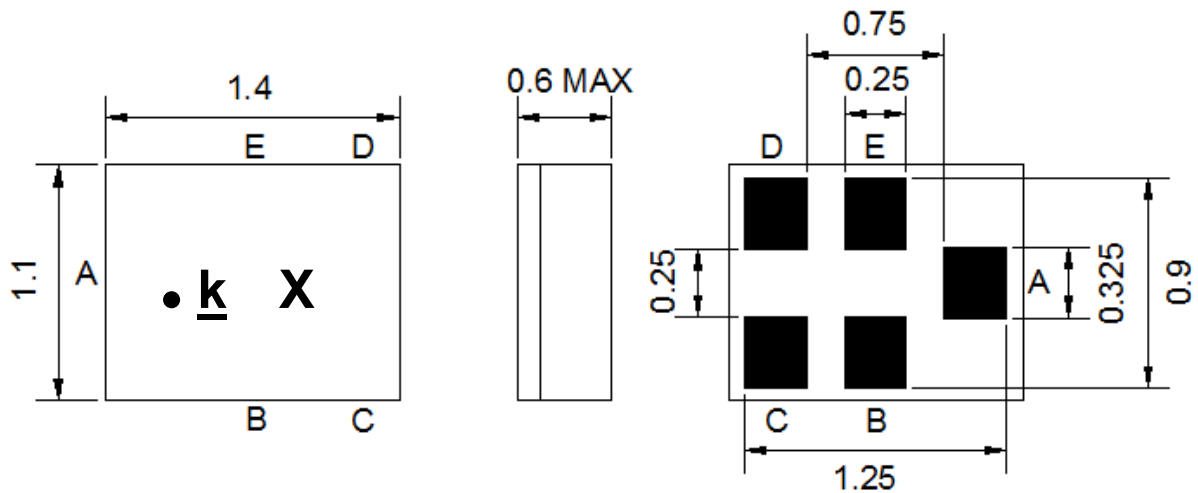
Parameters Description	Unit	Minimum	Typical	Maximum
Operating Temperature Range	°C	-30	-	+85
Storage Temperature Range	°C	-40	-	+85
Maximum DC Voltage	V	-	-	0
Maximum Input Power	dBm	-	-	28
Source Impedance (single ended) ⁽¹⁾	Ω	-	50	-
Load Impedance (single ended) ⁽¹⁾	Ω	-	50	-
Package type & size	C23			
Length x Width	mm ²	-	1.4 x 1.1	-
Height	mm	-	-	0.60

Electrical Specification

Parameters Description	Unit	Minimum	Typical	Maximum
Center Frequency (Fo)	MHz	-	2350.0	-
Max.Insertion Loss within 2300.0~2400.0 MHz	dB	-	1.8	2.8
Amplitude Ripple within 2300.0~2400.0 MHz	dB _{p-p}	-	1.2	2.3
Attenuation:				
10.0 ~ 1574.0 MHz	dB	20	27	-
1574.0 ~ 1577.0 MHz	dB	20	27	-
1577.0 ~ 1680.0 MHz	dB	20	26	-
1845.0 ~ 1880.0 MHz	dB	18	23	-
2110.0 ~ 2170.0 MHz	dB	18	23	-
2240.0 ~ 2285.0 MHz	dB	1.5	3	-
2415.0 ~ 2420.0 MHz	dB	1.5	5	-
2420.0 ~ 2460.0 MHz	dB	3	10	-
2460.0 ~ 2485.0 MHz	dB	30	43	-
2485.0 ~ 2500.0 MHz	dB	30	37	-
2500.0 ~ 3000.0 MHz	dB	20	24	-
4600.0 ~ 4800.0 MHz	dB	30	42	-
4800.0 ~ 6000.0 MHz	dB	20	27	-
VSWR within 2300.0~2400.0 MHz	-	-	1.6	2.0

Notes : (1) With Matching Network (Ref. Testing Environment Circuit as shown below).

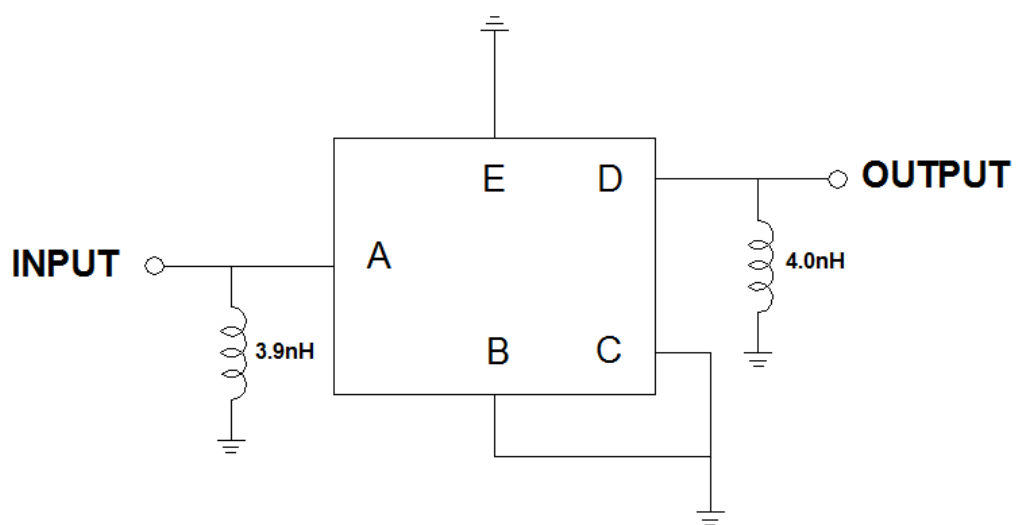
Package Dimensions



Marking Descriptions	
k	Series Number
X	Date Code(Year+Month)

Pin Description	
B, C, E	Ground
A	Input
D	Output

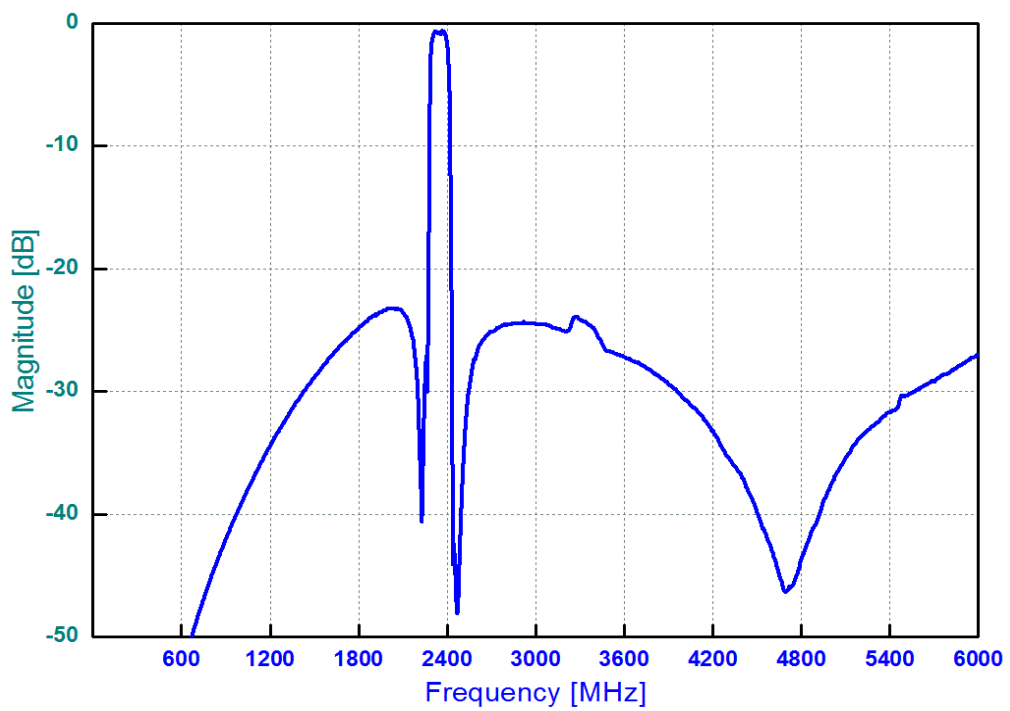
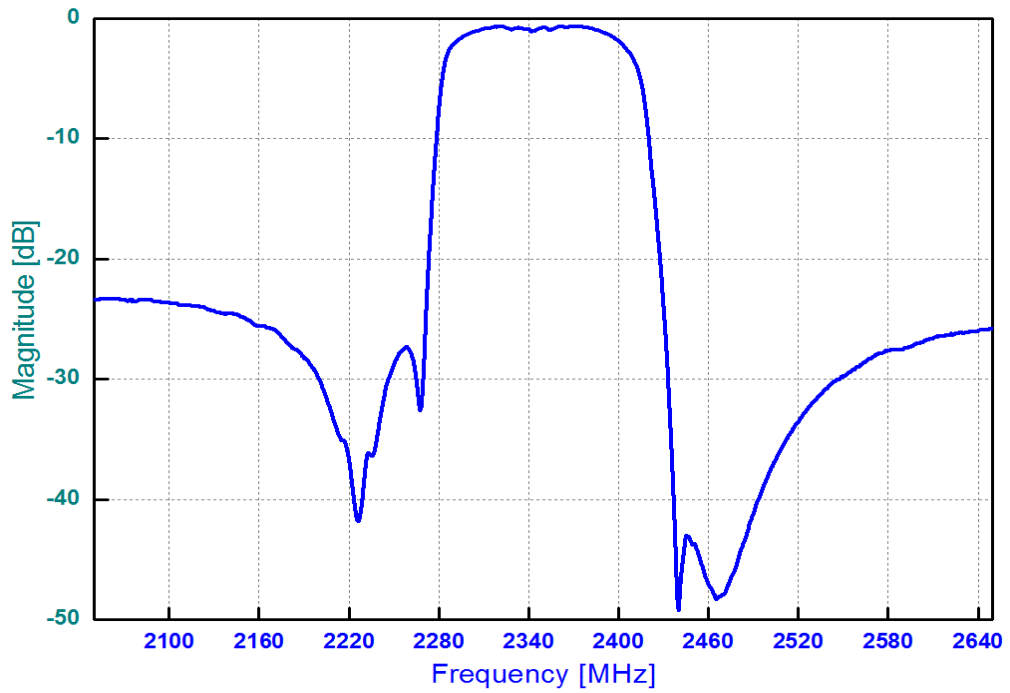
Testing Environment



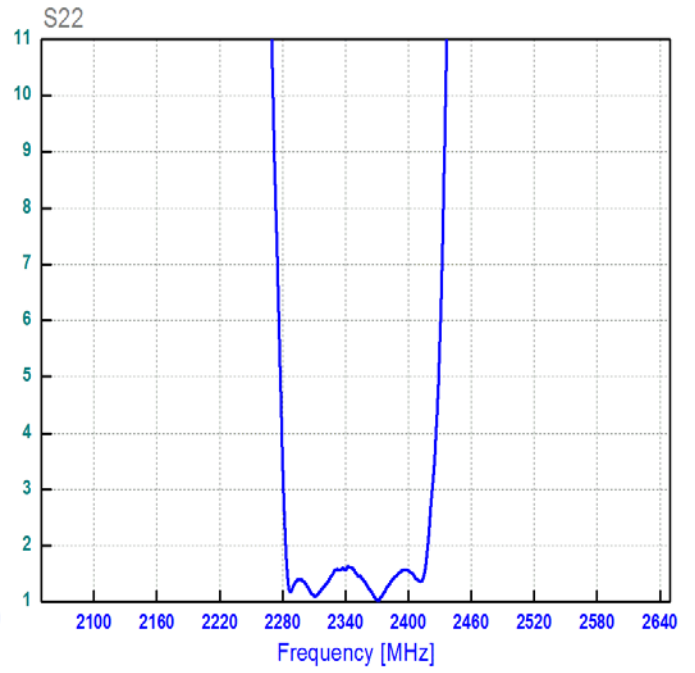
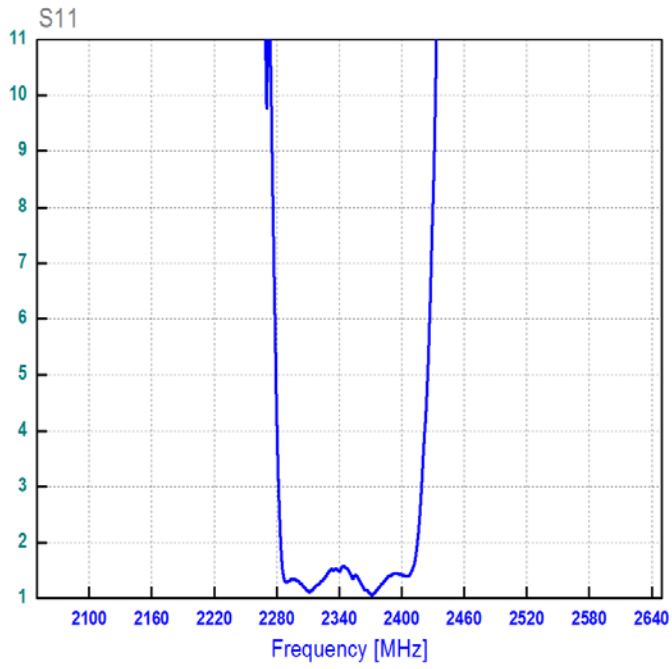
Source & Load Impedance: 50 Ω

□ Frequency Characteristics

Frequency Response



VSWR



Smith Chart

