



---

# SK3390R

LTE-Band39, RF-Rx SAW Filter  
Revision 0: September 2017

MSL 3 Device



- Electrical Characteristics
  - Package Dimensions
  - Testing Environment
  - Frequency Characteristics
-

## □ Electrical Characteristics

### Maximum Ratings

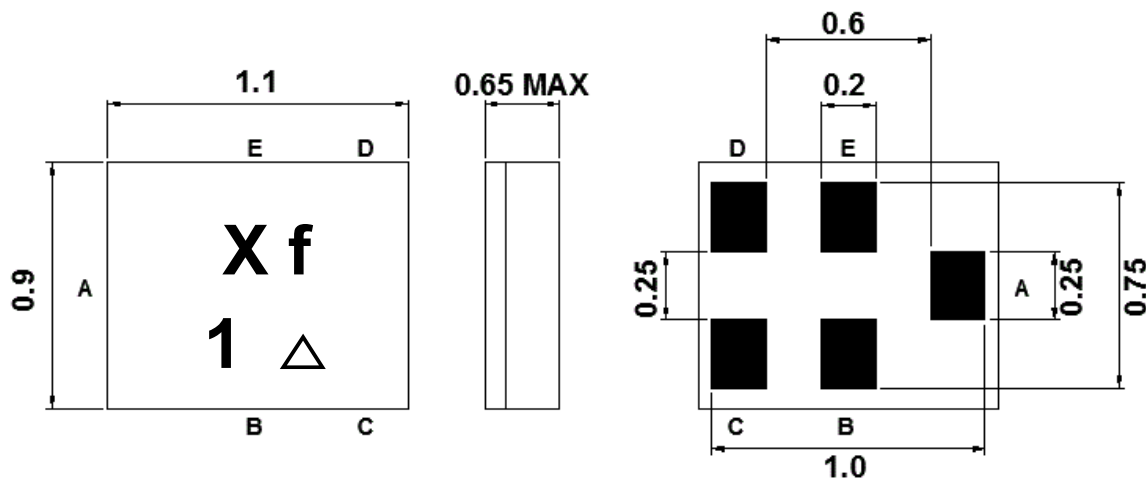
Parameters Description	Unit	Minimum	Typical	Maximum
Operating Temperature Range	°C	-30	-	+85
Storage Temperature Range	°C	-40	-	+85
Maximum DC Voltage	V	-	-	-
Maximum Input Power	dBm	-	-	15
Source Impedance (unbalance) <sup>(1)</sup>	Ω	-	50	-
Load Impedance (unbalance) <sup>(1)</sup>	Ω	-	50	-
Package type & size	C14			
Length x Width	mm <sup>2</sup>	-	1.1 x 0.9	-
Height	mm	-	-	0.65

### Electrical Specification

Parameters Description	Unit	Minimum	Typical @+25°C	Maximum	Note
Center Frequency (Fo)	MHz	-	1900.0	-	
Insertion Loss within 1880.0 ~ 1920.0 MHz	dB	-	1.9	2.3	-
within 1880.0 ~ 1920.0 MHz	dB	-	1.9	2.1	@+25°C
Amplitude Ripple within 1880.0 ~ 1920.0 MHz	dB <sub>p-p</sub>	-	0.9	1.2	-
VSWR within 1880.0 ~ 1920.0 MHz	-	-	1.6	2.0	-
<b>Attenuation:</b>					
10.0 ~ 1605.89 MHz	dB	25	31	-	-
880.0 ~ 960.0 MHz	dB	25	31	-	-
1805.0 ~ 1830.0 MHz	dB	45	48	-	-
1830.0 ~ 1850.0 MHz	dB	10	26	-	@+25°C
2010.0 ~ 2025.0 MHz	dB	35	45	-	-
2300.0 ~ 2400.0 MHz	dB	35	43	-	-
2400.0 ~ 2500.0 MHz	dB	35	44	-	-
2500.0 ~ 2690.0 MHz	dB	35	45	-	-
2690.0 ~ 5000.0 MHz	dB	32	40	-	-

**Notes :** (1) With Matching Network (Ref. Testing Environment Circuit as shown below).

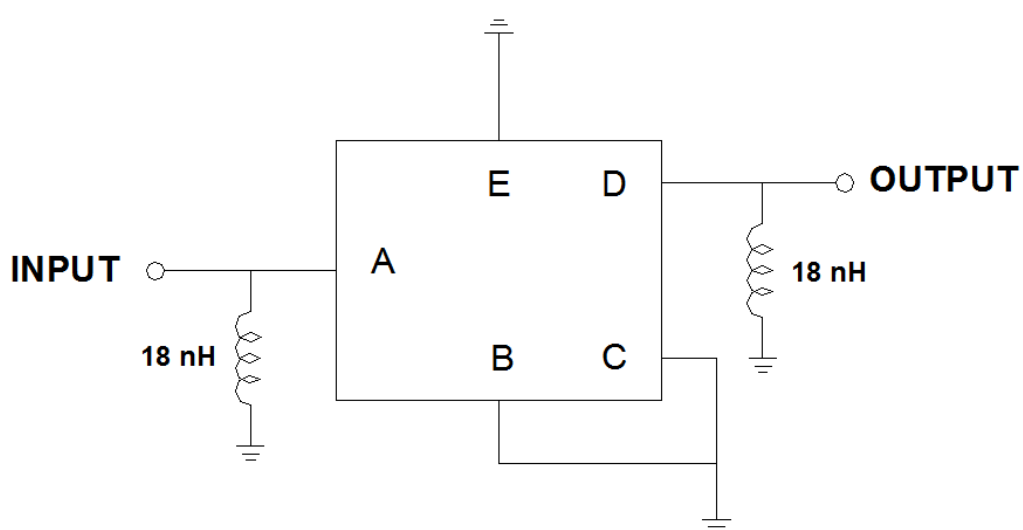
## Package Dimensions



Marking Descriptions	
X	S or W
f	Band Class
1	Series Number
△	Date Code(Year+Month)

Pin Description	
B, C, E	Ground
A	Input
D	Output

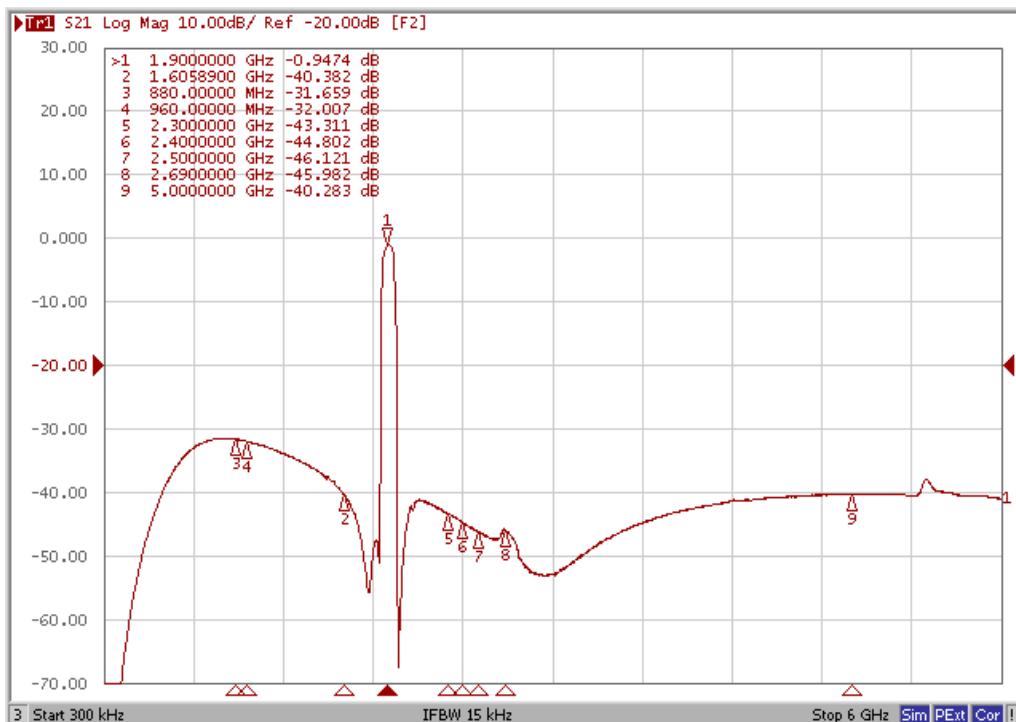
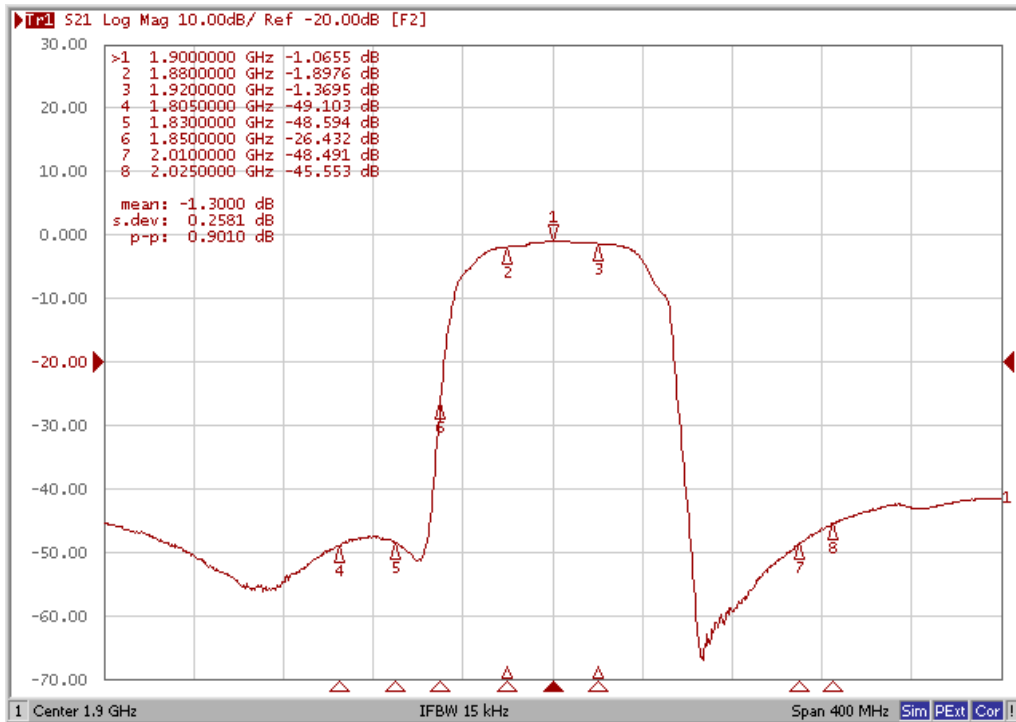
## Testing Environment



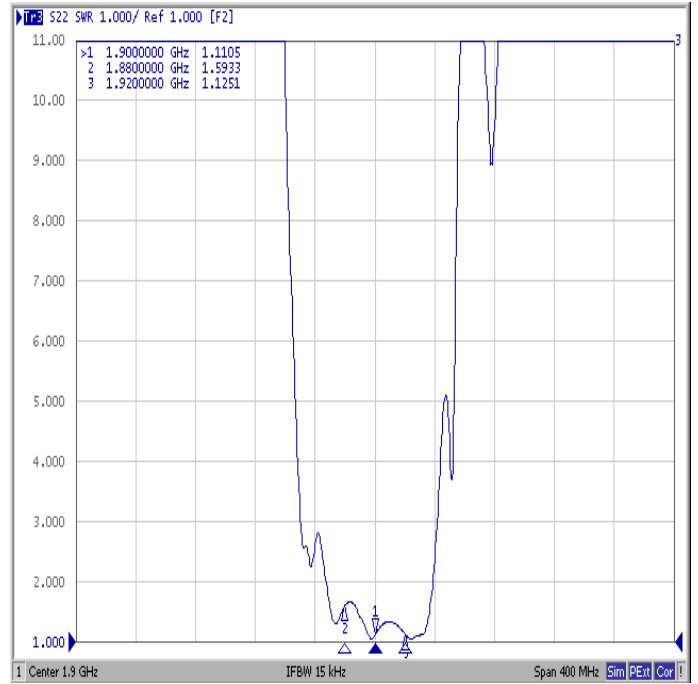
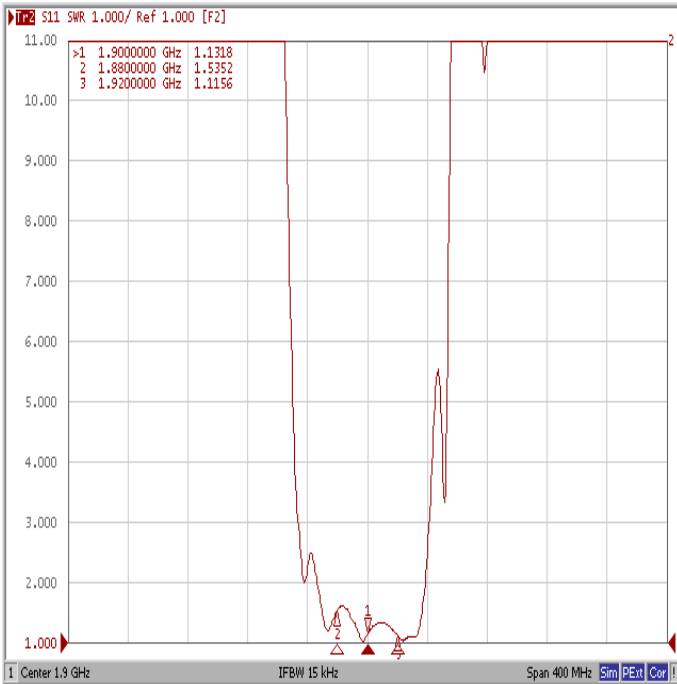
Source & Load Impedance: 50 Ω

## Frequency Characteristics

Frequency Response



### VSWR



### Smith Chart

