



---

# SK3080R

Band8, RF-Rx SAW Filter  
Revision 0: April 2016

MSL 3 Device



- Electrical Characteristics
  - Package Dimensions
  - Testing Environment
  - Frequency Characteristics
-

## □ Electrical Characteristics

### Maximum Ratings

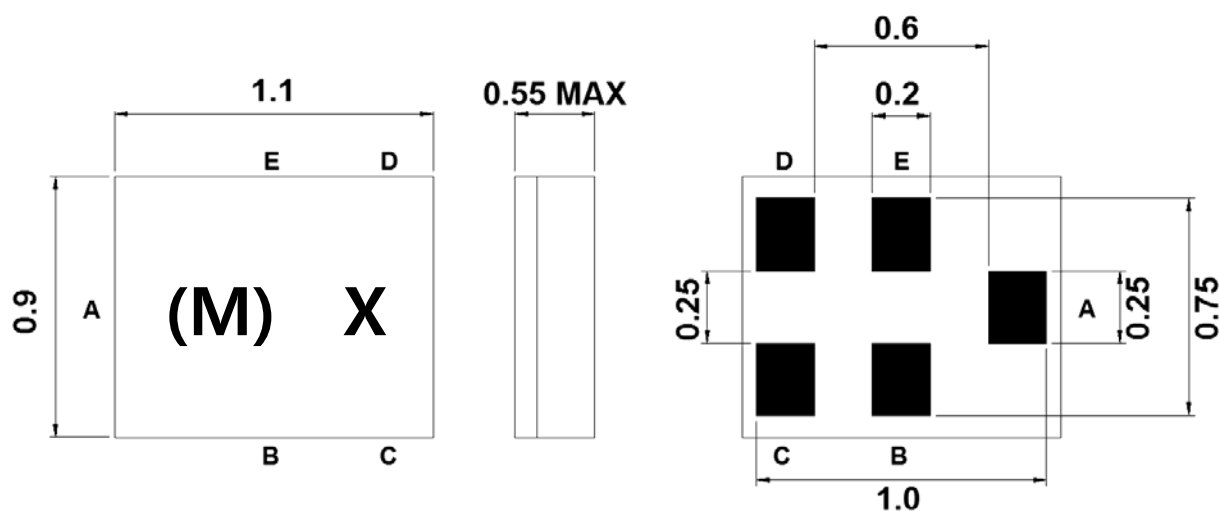
Parameters Description	Unit	Minimum	Typical	Maximum
Operating Temperature Range	°C	-20	-	+85
Storage Temperature Range	°C	-40	-	+85
Maximum DC Voltage	V	-	-	-
Maximum Input Power	dBm	-	-	10
Source Impedance (Unbalanced)	Ω	-	50	-
Load Impedance (Unbalanced)	Ω	-	50	-
Package type & size	C14			
Length x Width	mm <sup>2</sup>	-	1.1 x 0.9	-
Height	mm	-	-	0.55

### Electrical Specification

Parameters Description	Unit	Minimum	Typical	Maximum
Center Frequency (Fo)	MHz	-	942.5	-
Insertion Loss within 925.0 ~ 960.0 MHz	dB	-	2.0	3.0
Amplitude Ripple within 925.0 ~ 960.0 MHz	dB <sub>p-p</sub>	-	1.2	2.3
Input VSWR within 925.0 ~ 960.0 MHz	-	-	1.9	2.3
Output VSWR within 925.0 ~ 960.0 MHz	-	-	1.9	2.3
<b>Attenuation:</b>				
880.0 ~ 915.0 MHz	dB	46	49	-
980.0 ~ 1558.0 MHz	dB	15	25	-
1559.0 ~ 1607.0 MHz	dB	40	55	-
1850.0 ~ 1920.0 MHz	dB	35	48	-
2400.0 ~ 2500.0 MHz	dB	30	40	-
2775.0 ~ 2880.0 MHz	dB	28	37	-
3700.0 ~ 3840.0 MHz	dB	25	33	-
4625.0 ~ 4800.0 MHz	dB	20	34	-
4900.0 ~ 5950.0 MHz	dB	18	34	-
5550.0 ~ 5725.0 MHz	dB	18	36	-
6475.0 ~ 6720.0 MHz	dB	15	32	-
7400.0 ~ 7680.0 MHz	dB	15	25	-

**Notes :** (1) No Matching Network .

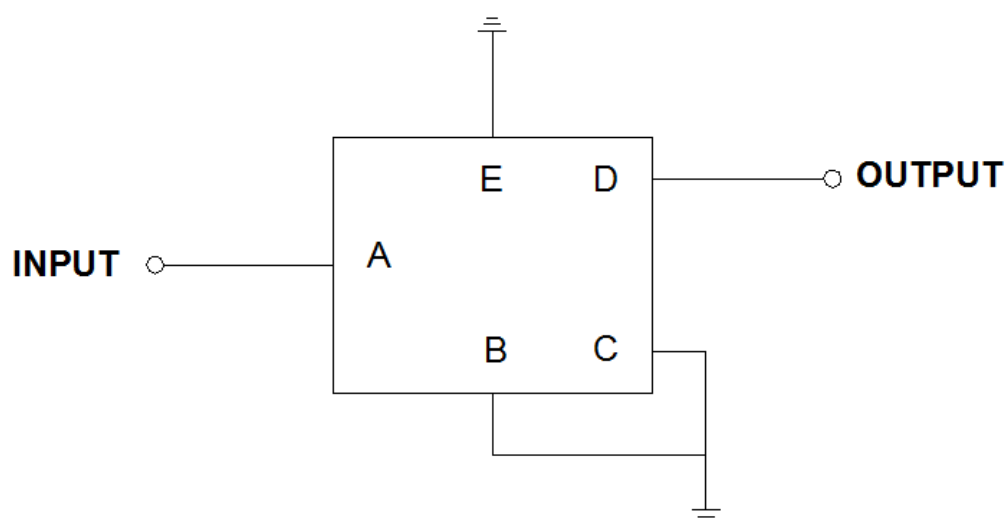
## Package Dimensions



Marking Descriptions	
(M)	Series Number
X	Date Code(Year+Month)

Pin Description	
B, C, E	Ground
A	Input
D	Output

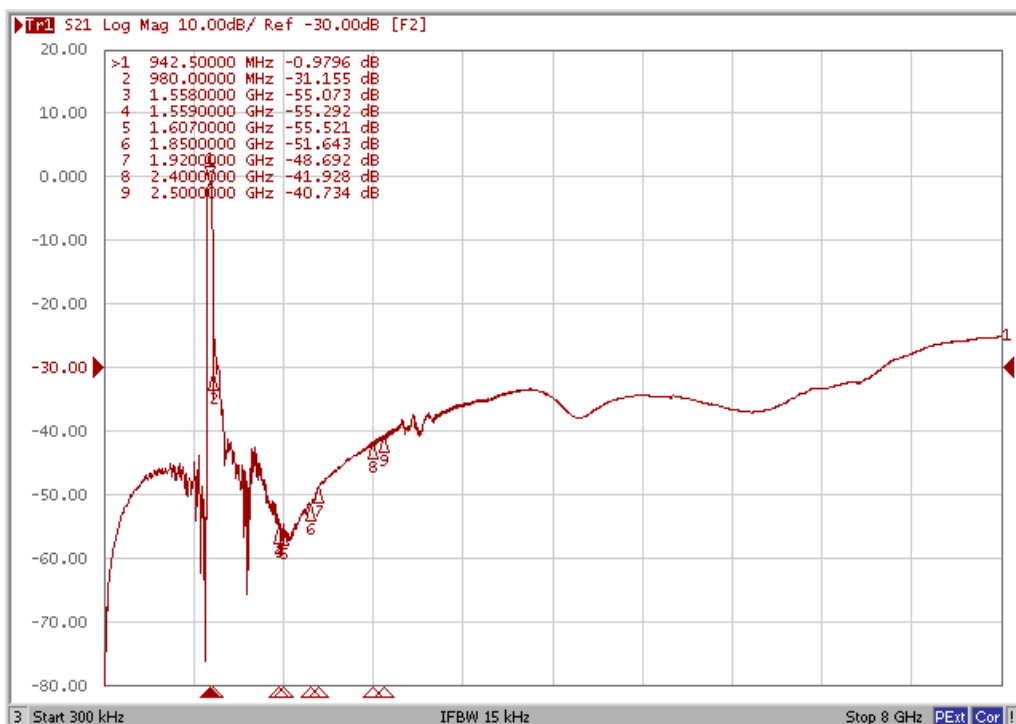
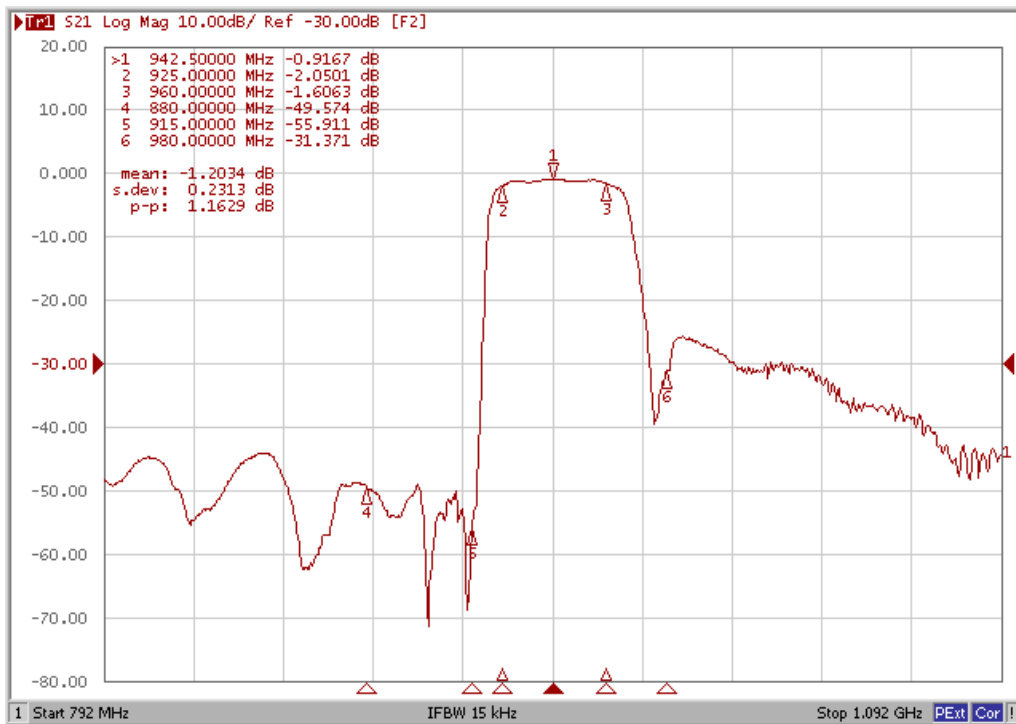
## Testing Environment



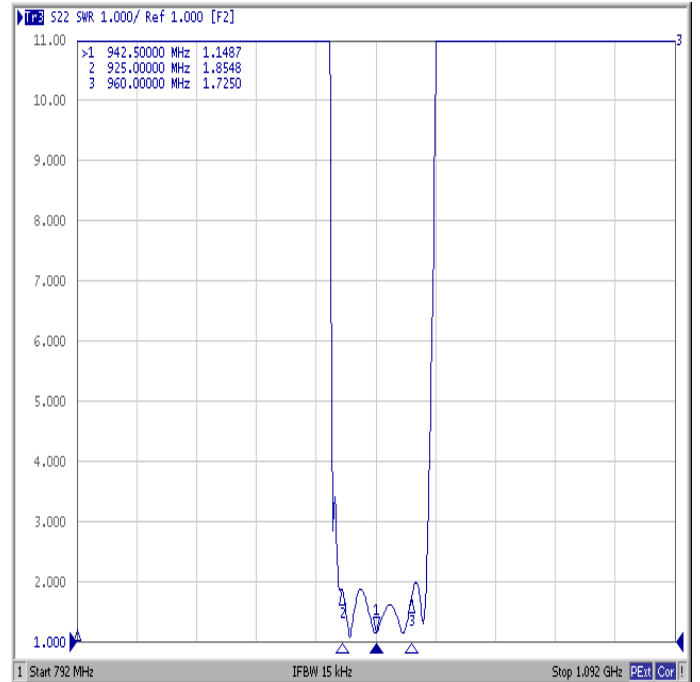
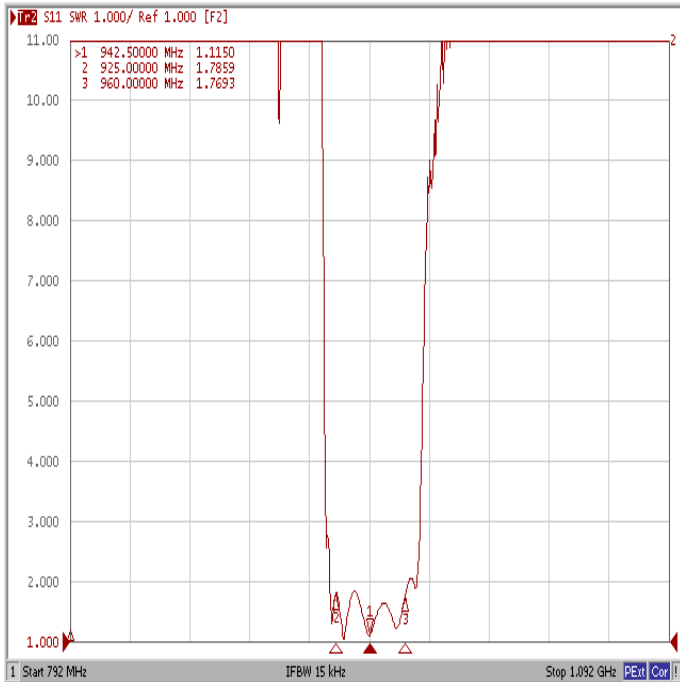
Source & Load Impedance: 50  $\Omega$

## □ Frequency Characteristics

Frequency Response



### VSWR



### Smith Chart

