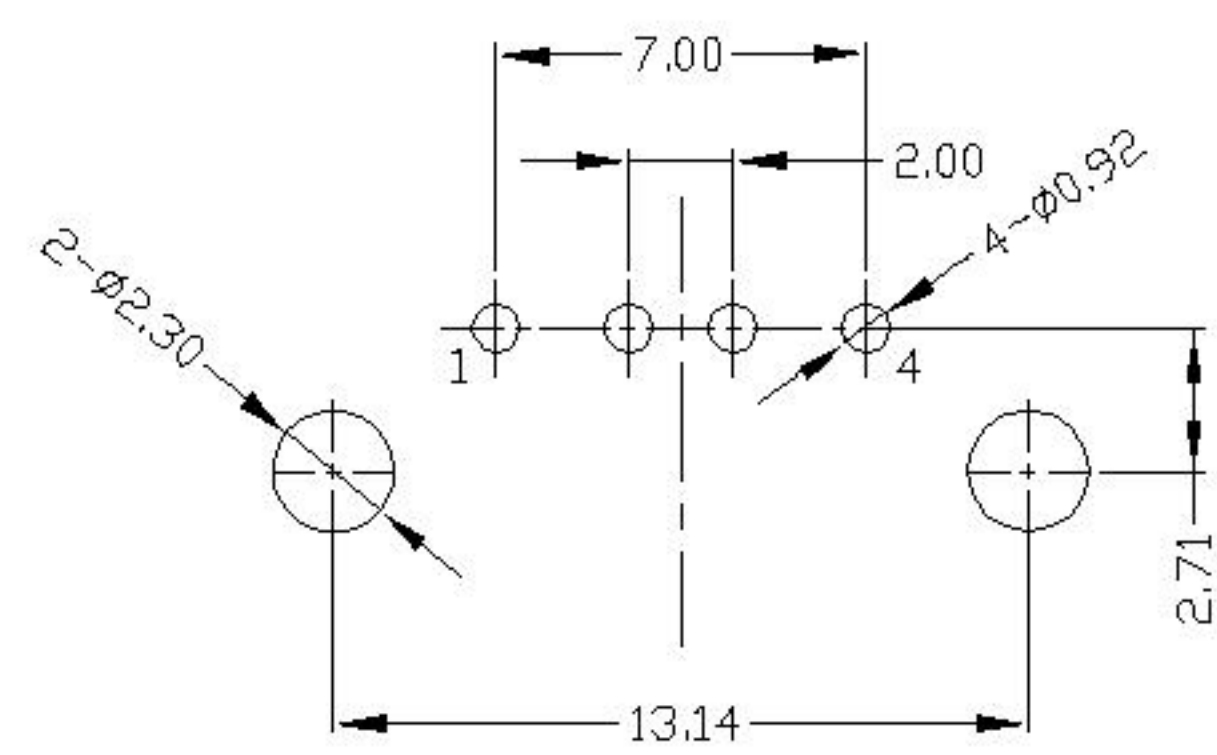
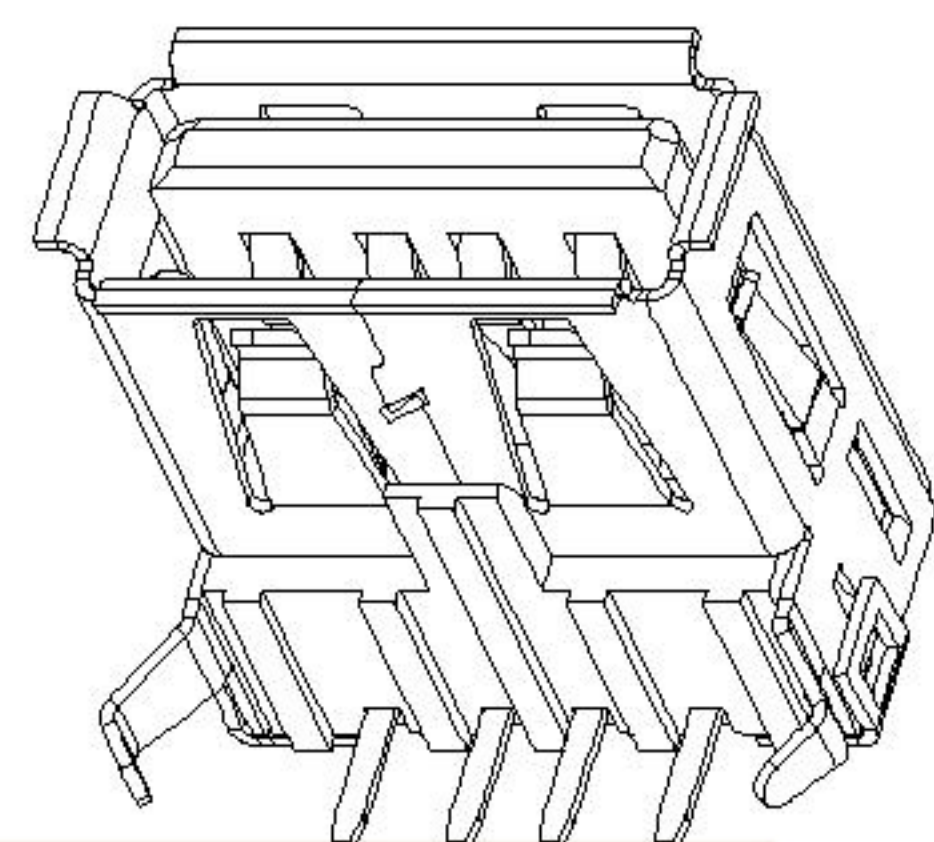
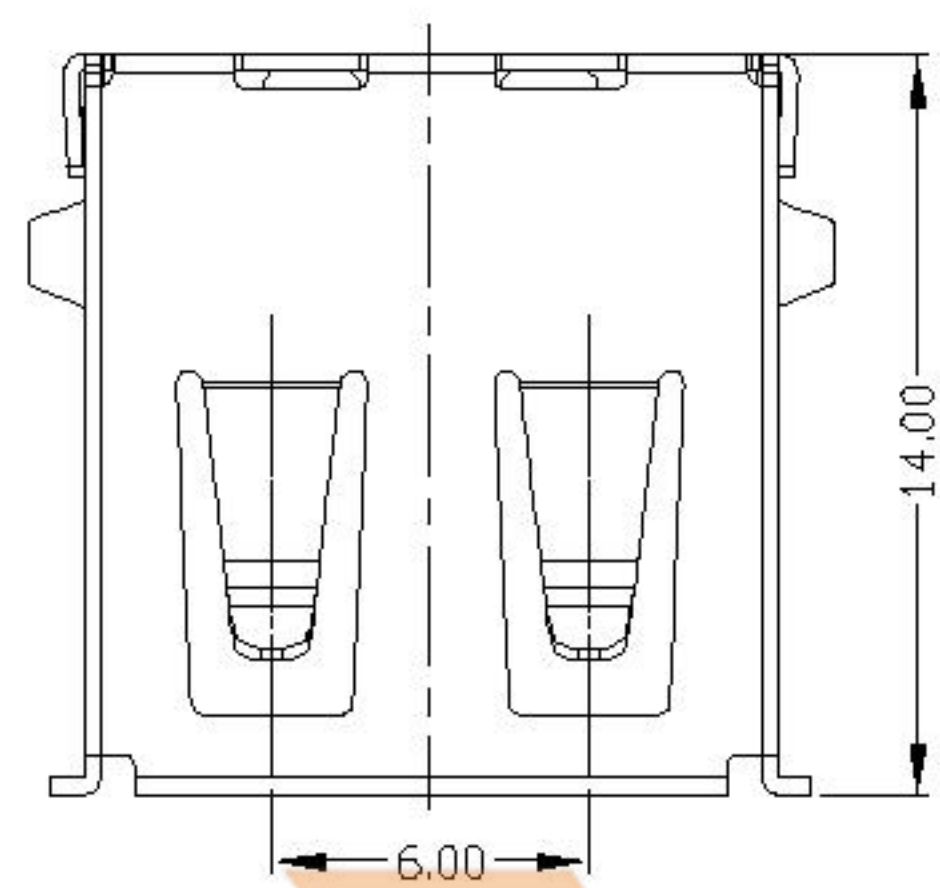
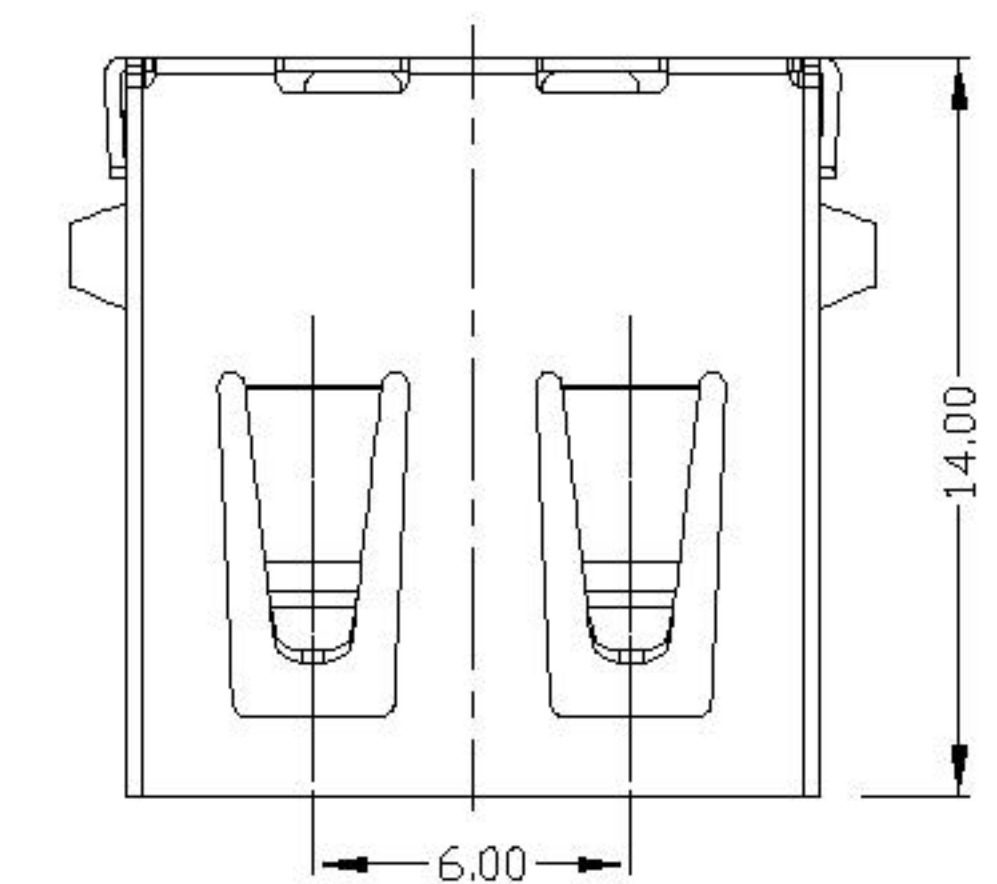


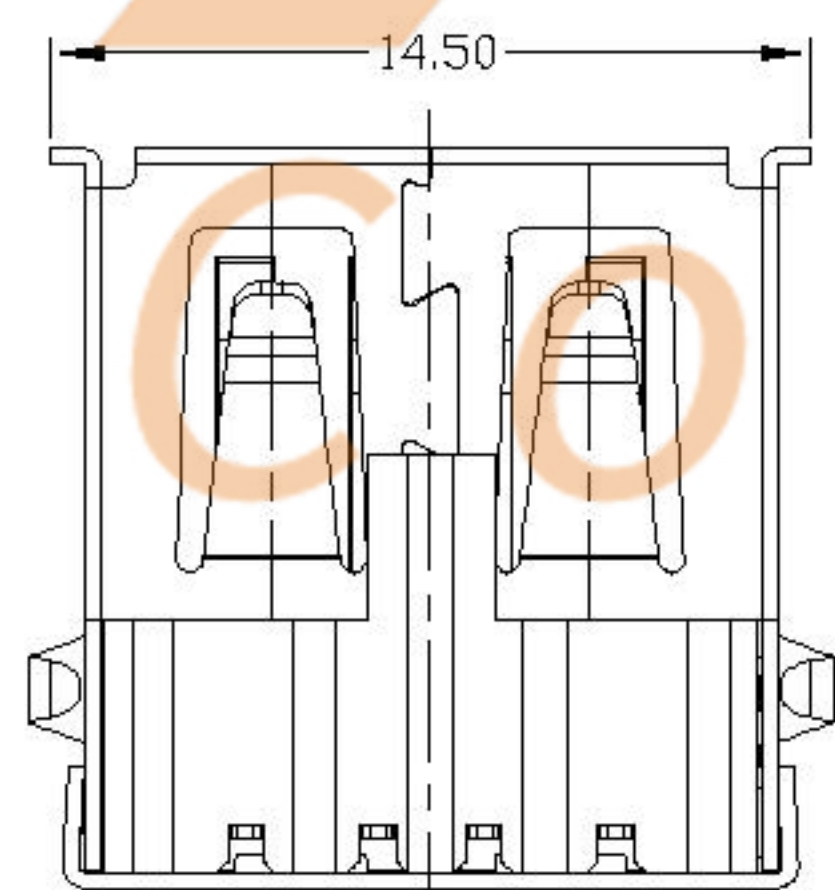
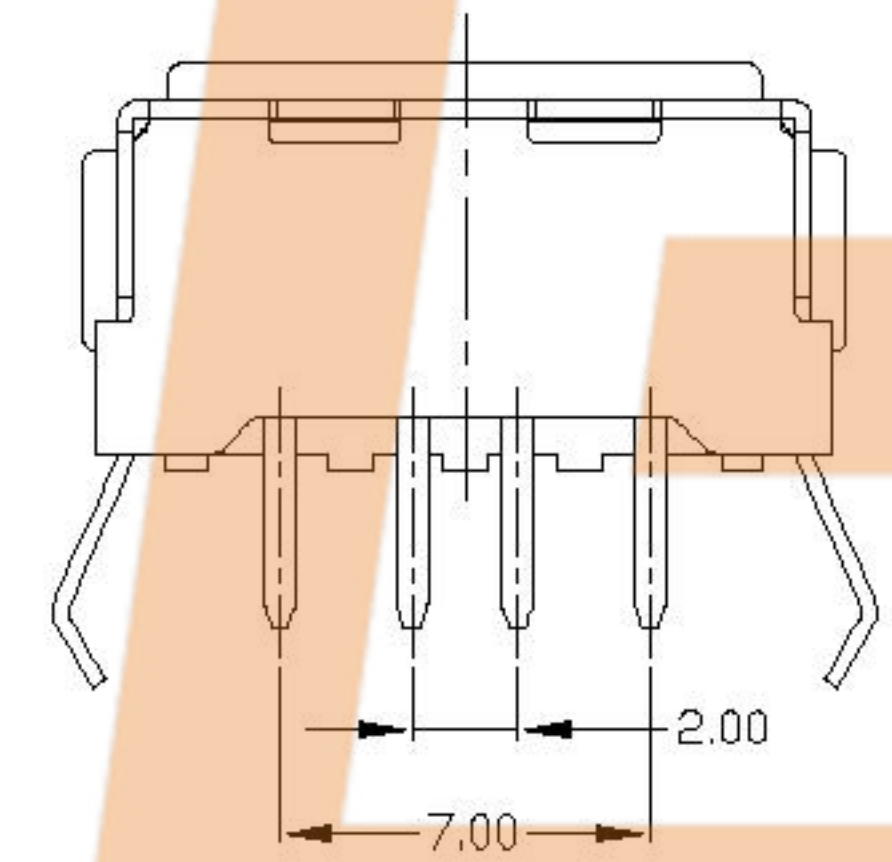
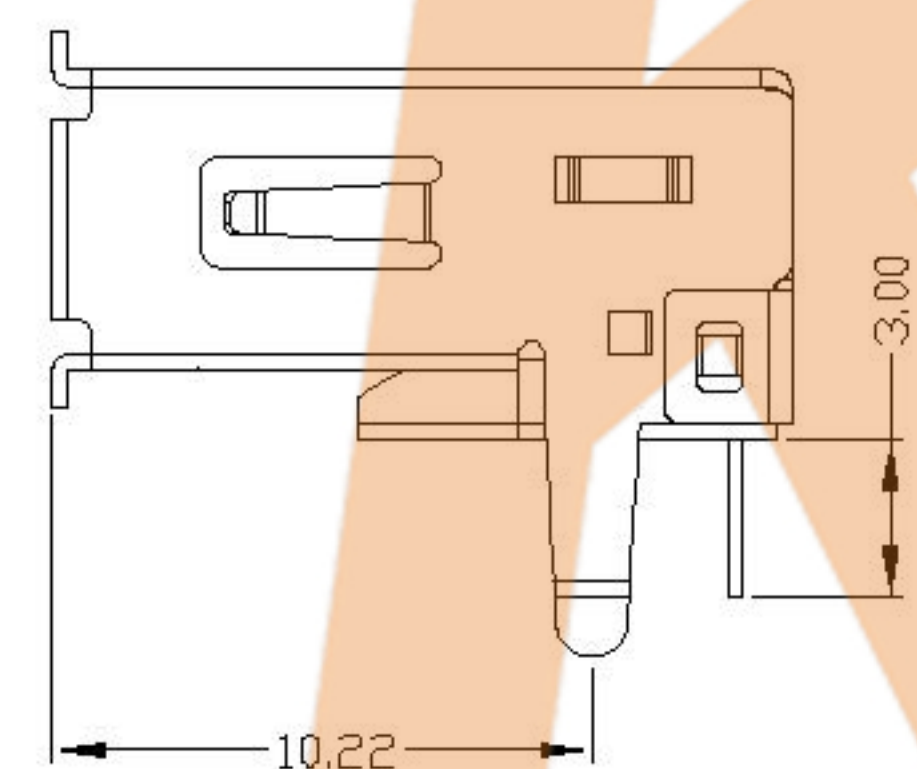
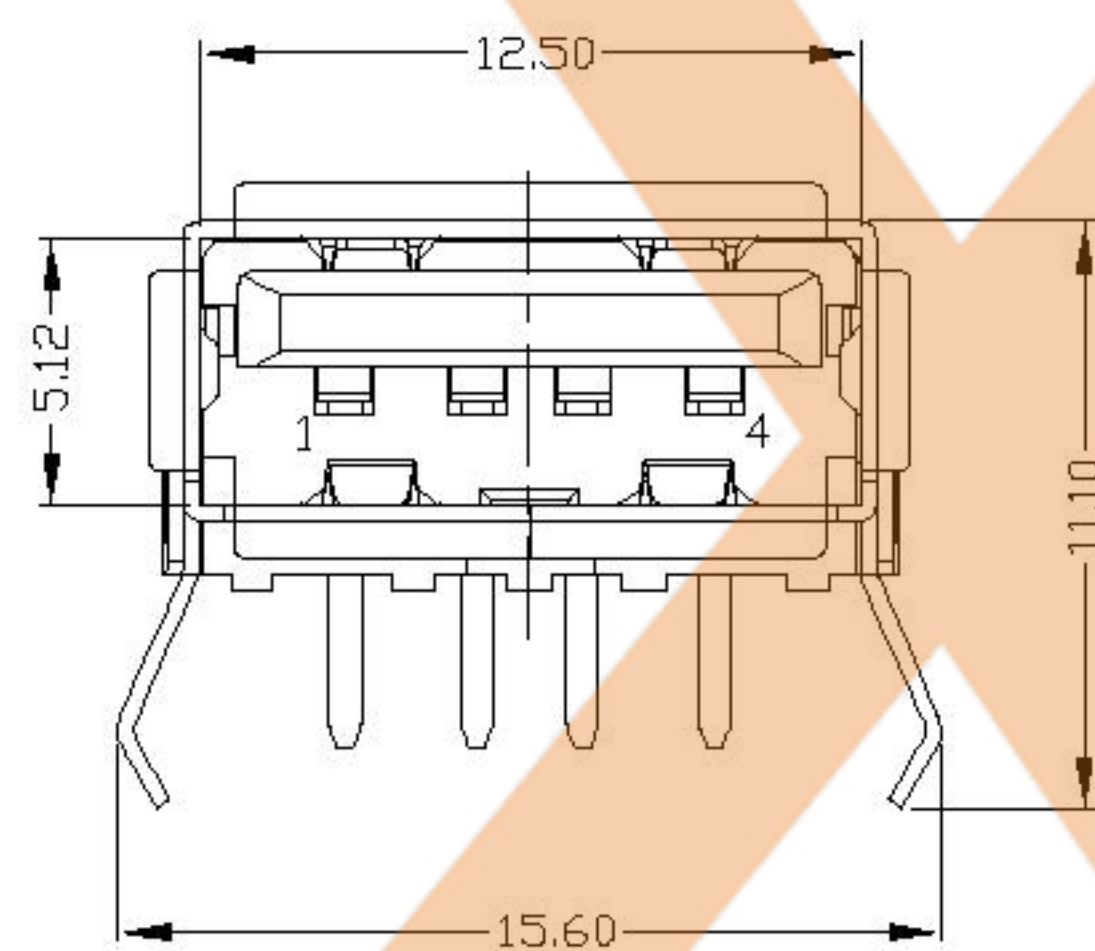
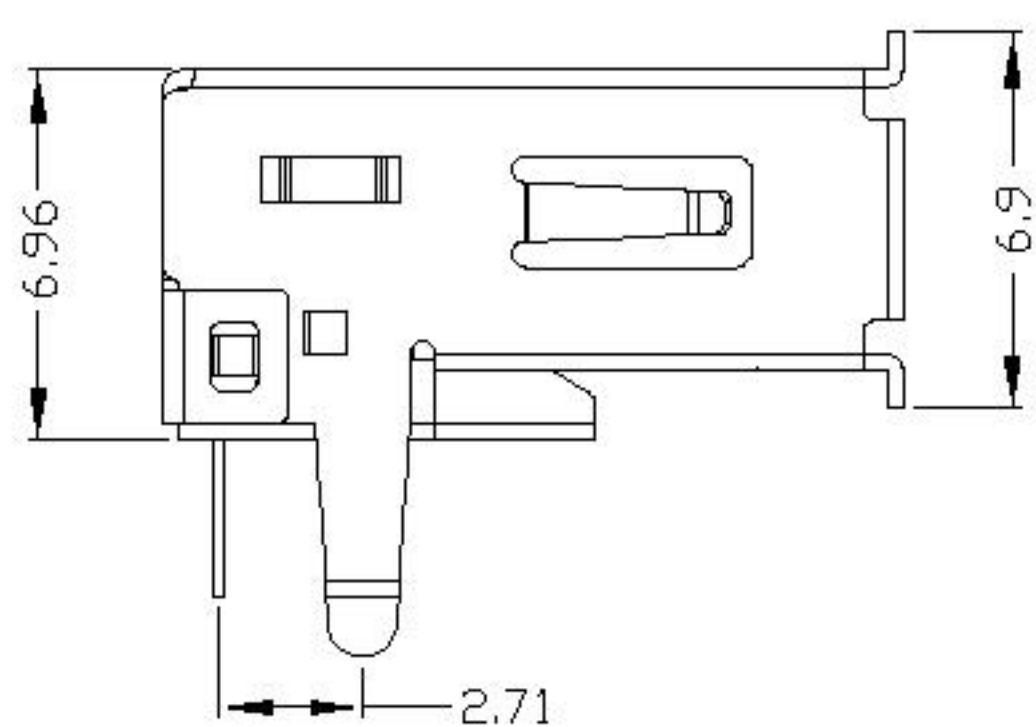
S:Scrolls



RECOMMENDED PCB LAYOUT



F:Flat



Housing Material: PBT UL94V-0, black/White  
 Contact Terminal: Brass  
 Metallic Shell: Brass/Spcc

U221-04XN-1XR69-X X  
 1:SPCC 5:BRASS  
 S:Scrolls F:Flat  
 W:WHITE B:BLACK  
 1:AU 1U\*  
 6:AU 30U\*  
 1:PBT  
 2:PA6T  
 3:PA9T  
 4:LCP

|                                       |             |      |         |          |                        |      |                                      |  |      |  |            |                                |                |
|---------------------------------------|-------------|------|---------|----------|------------------------|------|--------------------------------------|--|------|--|------------|--------------------------------|----------------|
|                                       |             |      |         |          | ANGLAR                 | ±5°  | DSND                                 |  | DATE |  | SCALE: N/A | MODEL TYPE:<br><b>USB 2.0</b>  |                |
|                                       |             |      |         |          | L ≤ 4                  | ±0.2 | DWN                                  |  | DATE |  | VIEW:      | PART NO.:<br>U221-04XN-1XR69   |                |
|                                       |             |      |         |          | 4 < L ≤ 16             | ±0.3 | CHKD                                 |  | DATE |  | UNIT: mm   | DWG NO.:<br>U221-04XN-1XR69-XX |                |
|                                       |             |      |         |          | 16 < L ≤ 63            | ±0.4 | APPD                                 |  | DATE |  | SIZE: A4   | WEIGHT<br>1.0g                 |                |
|                                       |             |      |         |          | L > 63                 | ±0.5 | XKB INDUSTRIAL PRECISION CO.,LIMITED |  |      |  |            | SHEET<br>1/1                   | REVISION<br>A0 |
|                                       |             |      |         |          | UNSPECIFIED TOLERANCES |      |                                      |  |      |  |            |                                |                |
| MARK                                  | DESCRIPTION | DATE | REVISED | APPROVED |                        |      |                                      |  |      |  |            |                                |                |
| REVISIONS                             |             |      |         |          |                        |      |                                      |  |      |  |            |                                |                |
| www.xk-dg.cn www.1k0k.com www.1k0k.cn |             |      |         |          |                        |      |                                      |  |      |  |            |                                |                |