

SPECIFICATIONS:

1.ELECTRICAL CHARACTERISTICS:

1-1.RATING:DC 24V 8A

1-2 CONTACT RESISTANCE:30mΩ MAX(INMAL)

1-3DIELECTRIC WITHSTANDING VOLTAGE:500V AC FOR ONE MINUTE

1-4.INSULATION RESISTANCE:100MΩ MIN. MEASURED BY 500V DC

2.MECHANICAL CHARACTERISTICS:

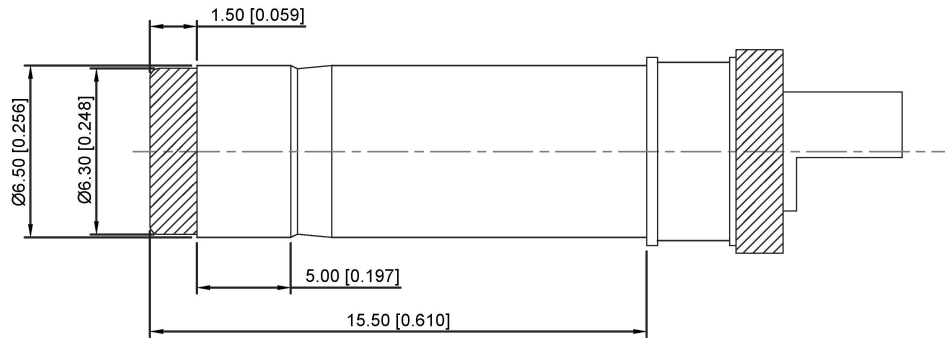
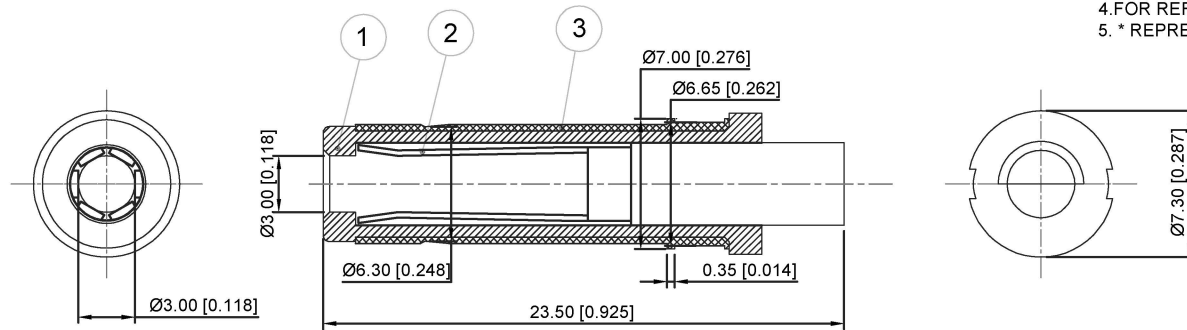
2-1.Plug into the mother socket 3 times INSERTION FORCE:0.3~3.0 KGF

2-2.Plug it into the mother socket 5000 times INSERTION FORCE:0.3~3.0 KGF

3.SALTFOG:24 Hours

4.FOR REFLOW SOLDERING LEAD-FREE PROCESS

5. \* REPRESENT CRITICAL DIMENSIONS.



	MATERIAL	PLATING
TERMINAL 1	Phosphor bronze	NI
Fork hook tube	C3604	NI
plastic	PBT	Black

广东星坤科技股份有限公司

生 日期  
發 日期

文件工程章

REVISIONS

DATE REVISED APPROVED

UNSPECIFIED TOLERANCES

ANGULAR	$\pm 5^\circ$
$L \leq 4$	$\pm 0.2$
$4 < L \leq 16$	$\pm 0.3$
$16 < L \leq 63$	$\pm 0.4$
$L > 63$	$\pm 0.5$

DSND	DATE	SCALE: N/A
DWN	DATE	VIEW:
CHKD	DATE	UNIT: mm/in
APPD	DATE	SIZE: A4

MODEL TYPE: DC PLUG
PART NO.: DT-2356530
DWG NO.:

KKB INDUSTRIAL PRECISION CO., LIMITED

WEIGHT	SHEET	REVISION
1.0g	1/1	A0