

环保物料

TEL: 0769-82001899

Electrical Characteristics:

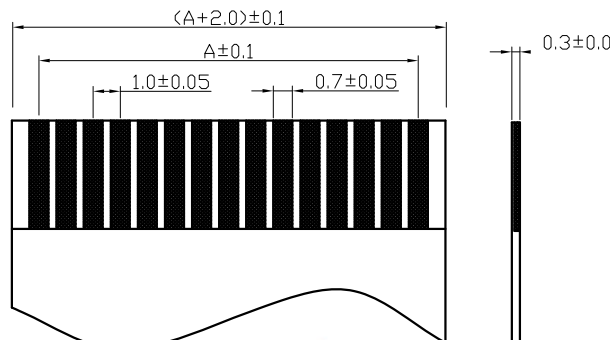
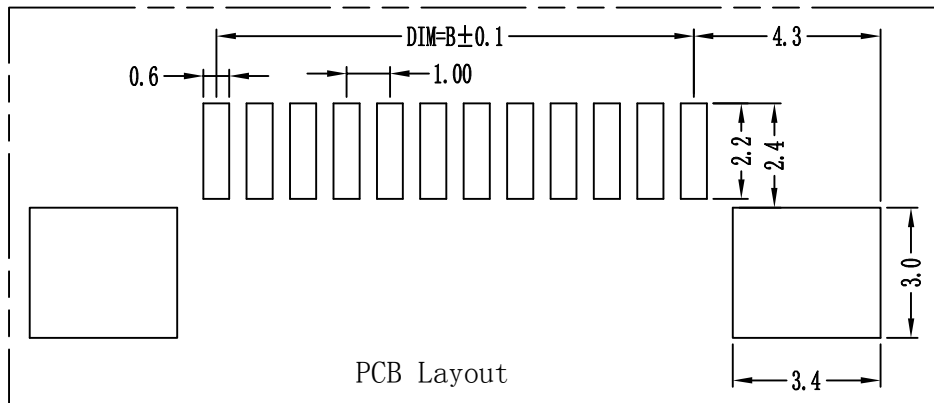
Current rating: 0.5A AC/DC
 Voltage rating: 50V AC/DC
 Temperature range: -25°C~+85°C
 Withstand Voltage: 500V AC/Minute
 Contact Resistance: ≤ 20mΩ
 Insulation resistance: ≥ 800mΩ
 Relative Humidity: 93%+40°C

Material Description:

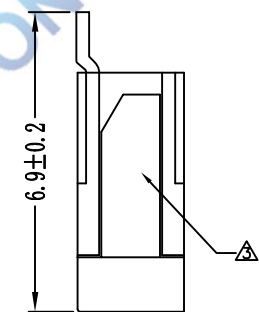
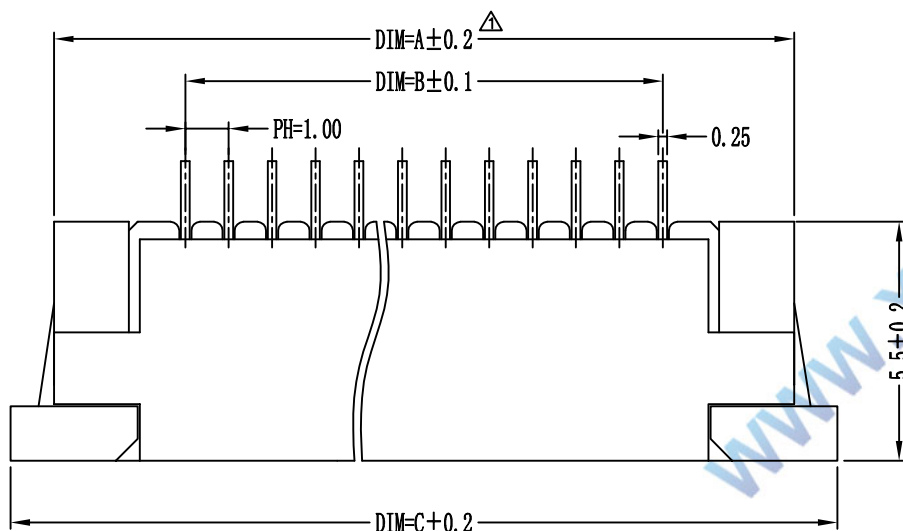
Contact: Phosphor Bronze Tin-Leadplated
 Solder Tab: Phosphor Bronze Tin-plated
 Housing: Thermoplastic(UL94V-0)
 Slider: Thermoplastic(UL94V-0)

A
B
C
D
E
F
G

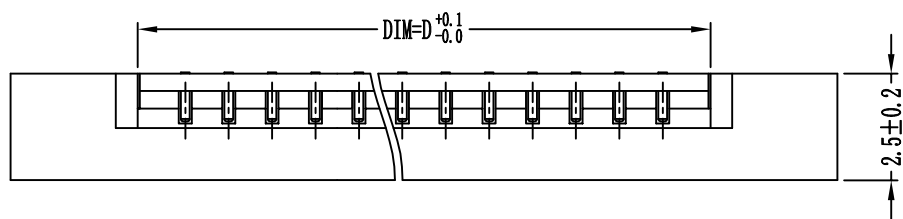
A
B
C
D
E
F
G



适用FPC寸法
 APPLICABLE FPC



下接触



F1001-B-xx-25T-x

R=卷装 无=管装
 T=镀锡 G=镀金
 Pin位数
 B=下接 T=上接

| PIN数 | DIM=A | DIM=B | DIM=C | DIM=D |
|------|-------|-------|-------|-------|
| 30P | 35.1 | 29.00 | 37.0 | 31.10 |
| 29P | 34.1 | 28.00 | 36.0 | 30.10 |
| 28P | 33.1 | 27.00 | 35.0 | 29.10 |
| 27P | 32.1 | 26.00 | 34.0 | 28.10 |
| 26P | 31.1 | 25.00 | 33.0 | 27.10 |
| 25P | 30.1 | 24.00 | 32.0 | 26.10 |
| 24P | 29.1 | 23.00 | 31.0 | 25.10 |
| 23P | 28.1 | 22.00 | 30.0 | 24.10 |
| 22P | 27.1 | 21.00 | 29.0 | 23.10 |
| 21P | 26.1 | 20.00 | 28.0 | 22.10 |
| 20P | 25.1 | 19.00 | 27.0 | 21.10 |
| 19P | 24.1 | 18.00 | 26.0 | 20.10 |
| 18P | 23.1 | 17.00 | 25.0 | 19.10 |
| 17P | 22.1 | 16.00 | 24.0 | 18.10 |
| 16P | 21.1 | 15.00 | 23.0 | 17.10 |
| 15P | 20.1 | 14.00 | 22.0 | 16.10 |
| 14P | 19.1 | 13.00 | 21.0 | 15.10 |
| 13P | 18.1 | 12.00 | 20.0 | 14.10 |
| 12P | 17.1 | 11.00 | 19.0 | 13.10 |
| 11P | 16.1 | 10.00 | 18.0 | 12.10 |
| 10P | 15.1 | 9.00 | 17.0 | 11.10 |
| 9P | 14.1 | 8.00 | 16.0 | 10.10 |
| 8P | 13.1 | 7.00 | 15.0 | 9.10 |
| 7P | 12.1 | 6.00 | 14.0 | 8.10 |
| 6P | 11.1 | 5.00 | 13.0 | 7.10 |
| 5P | 10.1 | 4.00 | 12.0 | 6.10 |
| 4P | 9.1 | 3.00 | 11.0 | 5.10 |

WWW.XFCNN.COM

| | | | |
|-----|--------------|------|------|
| AO | MODIFICATION | DRAW | DATE |
| VER | | | |

| | | | | | |
|----------------------------|-------|-------|-------|-------|--------|
| TOLERANCE UNLESS OTHERWISE | | | | DRAWN | CK tan |
| X. | ±0.30 | X° | ±5° | CHKD | |
| .X | ±0.20 | .X° | ±2° | APPD | |
| .XX | ±0.08 | .XX° | ±1° | VIEW | ⊕ |
| .XXX | ±0.03 | .XXX° | ±0.5° | | |

| | | | |
|--------------------------------------|-----------------------|----------|-------------|
| XFCN兴飞连接器有限公司 | | SHEET | 1/1 |
| CONNECTORS XFCN CONNECTORS CO., LTD. | | DATE | 2010. 4. 12 |
| PRODUCT NAME | FPC 1.00mm Connectors | UNITS | mm |
| PART. NO. | F1001-B-xx-25T | SCALE | 1:1 |
| | | DWG. NO. | 009 |

| | |
|----------|-------------|
| DATE | 2010. 4. 12 |
| UNITS | mm |
| SCALE | 1:1 |
| DWG. NO. | 009 |

1 2 3 4 5 6 7 8 9 10