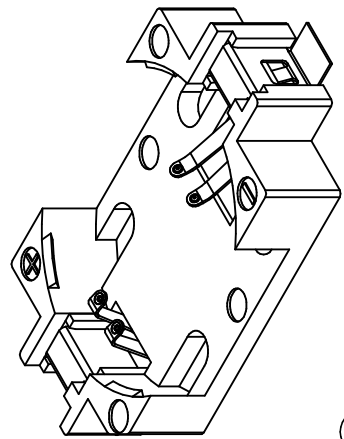
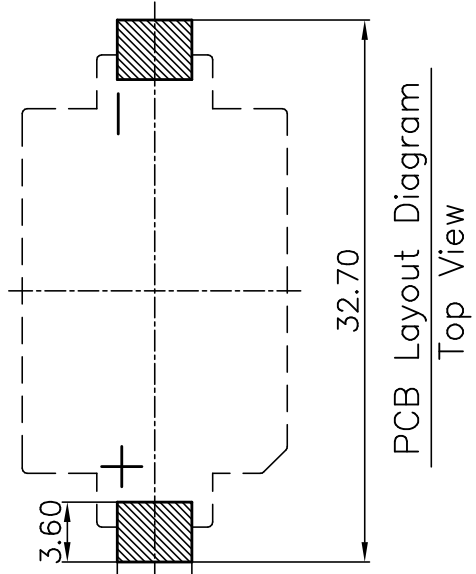
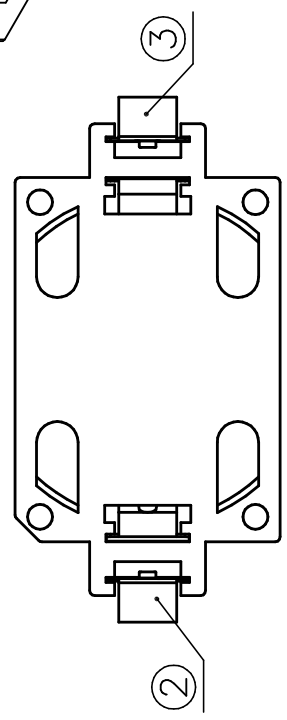
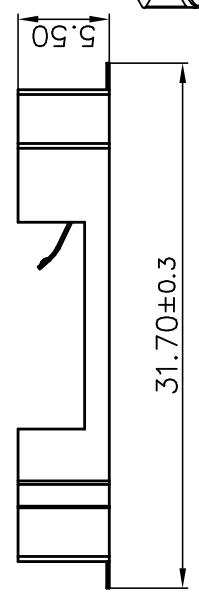
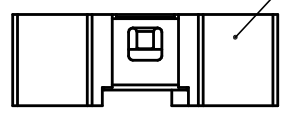
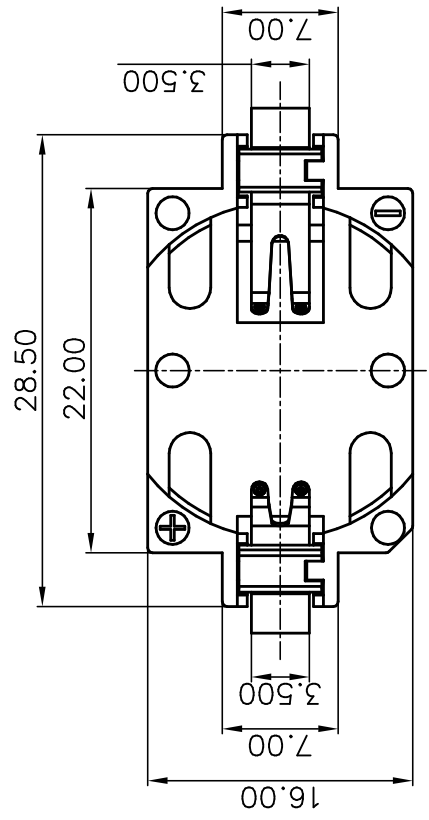


ECN NO.	REV	DATE	DESCRIPTION	CHANGE	CHECK	APPRO

1. MATERIAL:

- a. HOUSING: LCP
 - b. CONTACT: PHOSPHOR BRONZE (SURFACE PLATING: Au1u")
2. ELECTRIC:
- a. CONTACT RESISTANCE: 30 MILLIOHMS MAX
 - b. INSULATION RESISTANCE: 1000 MEGA OHMS MIN
 - c. DIELECTRIC VOLTAGE: 500V AC ONE SEC LEVEL
 - d. OPERATING TEMPERATURE: -25°C~ +85°C



UNLESS OTHERWISE SPECIFIED TOLERANCES

DECIMALS: ANGLES:
 X :±0.30 X :±1°
 X.X :±0.25 X.X:±0.5°
 X.XX :±0.20
 X.XXX:±0.10

WEIGHT: 9
 SHEET 1 OF 1

DSND	LQ.HUANG	DATE	20180917	TITLE:	C969908 BS-6-2 (金)
CHKD		DATE			
APVD	QJ.QILIU	DATE	20180917	PART NO.:	
SCALE:	SIZE:A4	VIEW:	VIEW: 3		
UNIT:mm	REV.:A/0	OBJECT:	QJ	DRAW NO.:	QJ-2032-6AU

③	TERMINAL(-)	1	PHOSPHOR BRONZE, T=0.15mm	Gold Plating and Ni Under-Plating
②	TERMINAL(+)	1	PHOSPHOR BRONZE, T=0.15mm	Gold Plating and Ni Under-Plating
①	HOUSING	1	LCP	WHITE
NO.	PART NAME	Q'TY	MATERIAL	PLATING & COLOR