

NOTE:  
 1. MATERIAL:  
 a. HOUSING: THERMOPLASTIC GLASS FIBRE UL94V-0  
 b. CONTACT: PHOSPHOR BRONZE  
 (SURFACE PLATING: Sn100u"~Sn100u")  
 SEE ORDERING INFORMATION  
 2. ELECTRIC:  
 a. CONTACT RESISTANCE: 30 MILLIOHMS MAX  
 b. INSULATION RESISTANCE: 1000 MEGA OHMS MIN  
 c. DIELECTRIC VOLTAGE: 500V AC ONE SEC LEVEL  
 d. OPERATING TEMPERATURE: -55C~ +85C

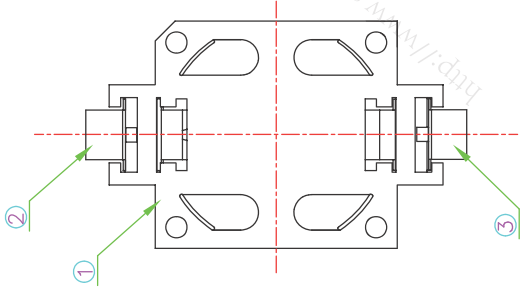
## ORDERING INFORMATION

BS-16-A\*\*0\*0026

PLATING:  
 J-Sn100U"~120U"  
 K-Sn150U"  
 A-Au 1u"  
 1A-Au 3u"  
 CRUST:  
 0-WITHOUT

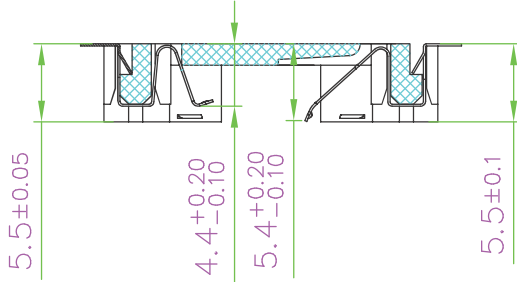
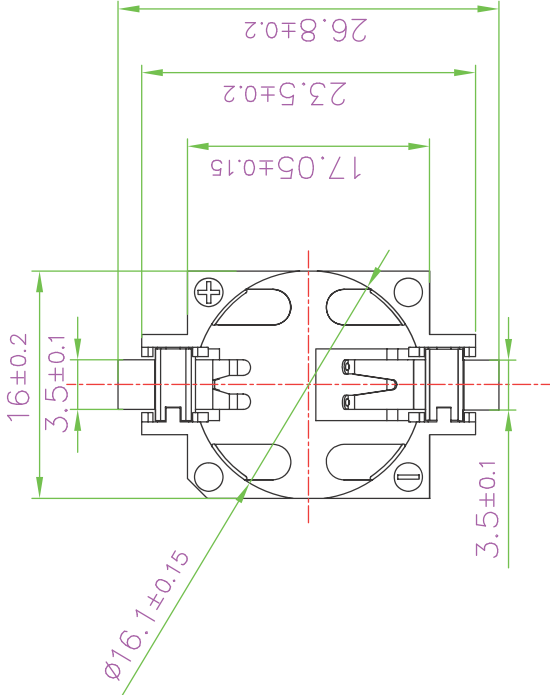
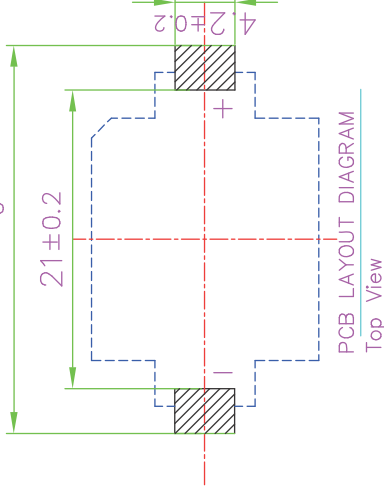
电池座系列  
 BS-16系列  
 SMT 180° TYPE

MATERIAL:  
 1A-LCP WHITE  
 1B-LCP BLACK  
 2A-PA66 WHITE  
 2B-PA66 BLACK  
 3A-PBT WHITE  
 3B-PBT BLACK



27.3±0.2

21±0.2



Tolerance: Unless otherwise specified

TOLERANCE

LINEAR	ANGLE	3	TERMINAL-2	PHOSPHOR BRONZE	Sn-Plated
x. ±1	x.° ±5'	2 <th>TERMINAL-1</th> <th>PHOSPHOR BRONZE</th> <th>Sn-Plated</th>	TERMINAL-1	PHOSPHOR BRONZE	Sn-Plated
.x ±0.38	.x' ±2'	1 <th>HOUSING</th> <th>LCP</th> <th>WHITE</th>	HOUSING	LCP	WHITE
.xx ±0.25	.xx' ±1'	NO. <th>PART NAME</th> <th>MATERIAL</th> <th>COLOR/FINISHED</th>	PART NAME	MATERIAL	COLOR/FINISHED
.xxx ±0.10	.xxx' ±1'	日期 DATE	单位 UNITS	审核 CHECK	审核人
		2013. 11. 21	mm	QJ.LIU	QJ.LIU
		比例 SCALE	制图 DRAW	设计 DESIGN	设计人
		1/1	QJ.QILIU	QJ.HUAN	QJ.HUAN

BATTERY HDLDR		PART NO.	
BS-1632-1		BS-1632-1	
TITLE:			
QJ-1632SMT电池座			