

# 承 认 书

SPECIFICATION FOR APPROVAL

客户名称: Customer 深圳立创商务电子有限公司

货 名: Description Y2\*6 石英晶体谐振器

客户料号: Part No \_\_\_\_\_

物料编号: Code No Y2616000202080D3

频 率: Frequency 16.000MHz

日 期: Date 2020-12-23

备 注: RoHS compliance with Directive (EU) 2015/863

制作(Prepare by)	检查(Check by)	批准 (Approve by)
江丹娜	甘瑛	张刚

客户批准 Approve by customer	
批准日期 Approval date	

Add: 广东省深圳市华发北路桑达工业区桑达雅苑 7P

7 P Sangda Yayuan Huafa North Road, Futian District, Shenzhen, Guangdong

Tel: 86-755-83048260

86-755-83048290

Fax: 86-755-83048280

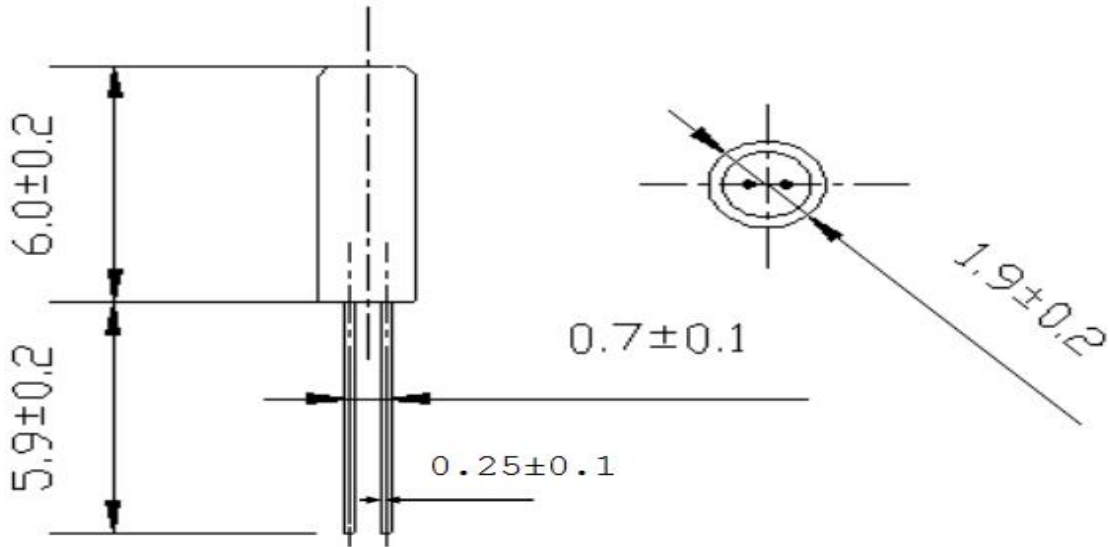
## 1、 Specifications

Type	Y2*6
Nominal frequency:	16.000MHz
Frequency tolerance at (25℃±3℃)	±20ppm
Mode of vibration	Fundamental
Load capacitance	20pF
Effective series resistance	80Ω Max
Shunt capacitance	≤3pF
Operating temperature range	-20℃~+70℃
Storage temperature range	-40℃~+85℃
Frequency stability vs. operating temperature	±30ppm
Drive level	1uW
Insulation resistance	500MΩ/100V±15V <sub>DC</sub>
Aging	±5ppm/First year
Test machine	250B

## 2. Frequency stability over temperature range(AT cut)

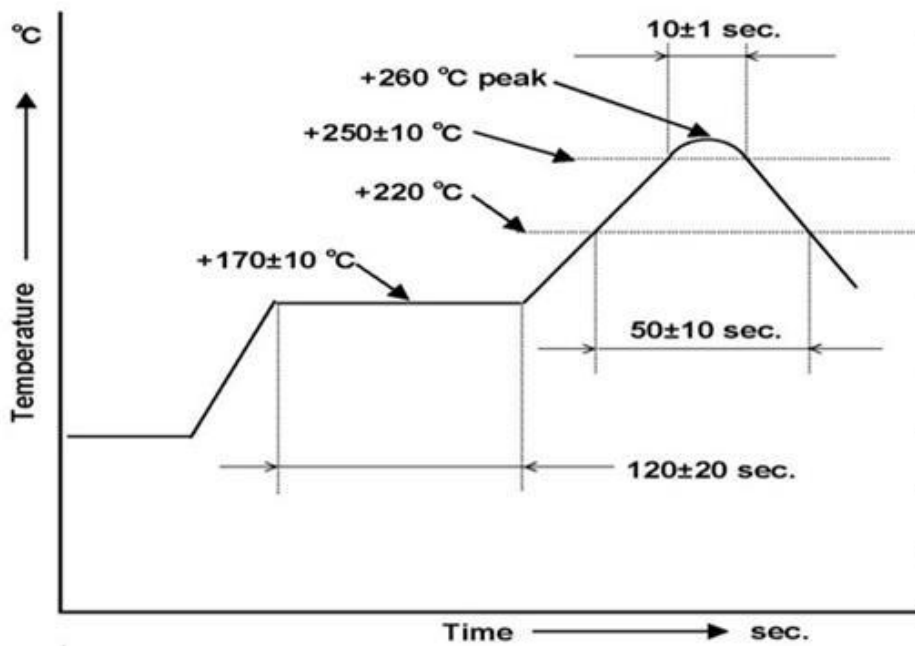
Temperature Range	Frequency Stability							
	±3PPM	±5PPM	±7.5PPM	±10PPM	±20PPM	±30PPM	±50PPM	±70PPM
0℃~+50℃	☆	☆	☆	☆	☆	☆	☆	☆
-10℃~+60℃			☆	☆	☆	☆	☆	☆
-20℃~+70℃				☆	☆	☆	☆	☆
-30℃~+70℃					☆	☆	☆	☆
-40℃~+85℃						☆	☆	☆
-40℃~+125℃						☆	☆	☆

### 3. Dimensions



### 4. Suggested reflow profile

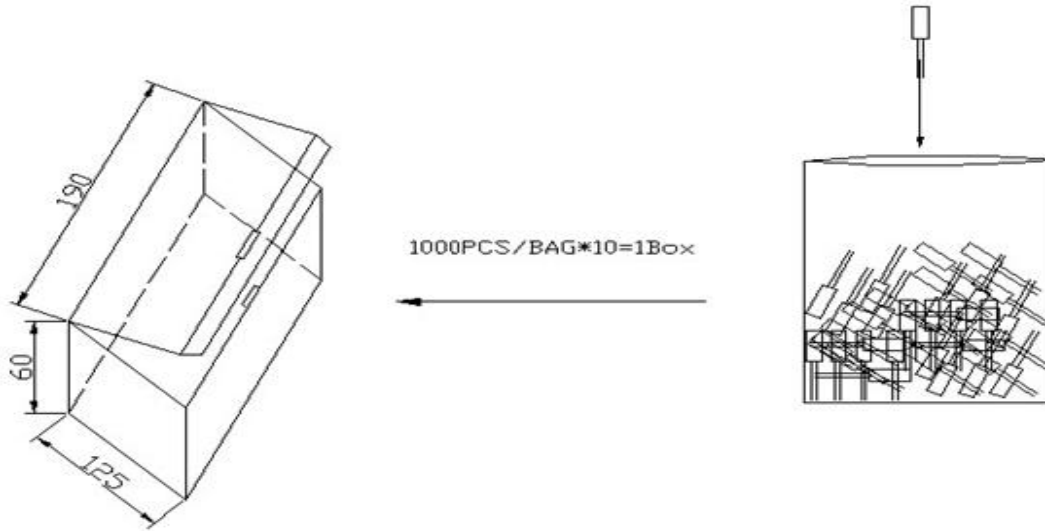
Condition:



## 5. Reliability specifications

NO	Item	Condition	Standard
1.	Drop Test	Free drop from 50cm height on a hard wooden board for 3 times. (Board is thickness more than 30 mm.)	Frequency change: ≤5ppm Rr as specification
2.	Mechanical Shock	Half sine wave (1000G) three mutually perpendicular axes each 3times,0.5mS duration time	Frequency change: ≤5ppm Rr as specification
3.	Vibration	Frequency range:10~2000hz Amplitude:1.52mm/20G Sweep time:20mintutes perpendicular axes each test time:4Hrs	Frequency change: ≤5ppm Rr as specification
4.	Solderability	Temperature:245℃±5℃ Immersing depth:0.5mm minimum Immersion time:5±1sec. Flux:Rosin resin methyl alcohol solvent(1:4)	90% exhibit tin ok
5.	Resistance to soldering heat	Pre-heat temperature:125℃ Pre-heat time:60~120sec. Test temperature:260℃±5℃ Test time :10±1sec.	Frequency change: ≤10ppm Rr as specification
6.	High Temp & Humidity	85±3℃ & RH85%, 500±12 hours	Frequency change: ≤10ppm Rr as specification
7.	Low temperature storage	-40±3℃, 500±12 hours	Frequency change: ≤10ppm Rr as specification
8.	High temperature storage	+85±3℃, 500±12 hours	Frequency change: ≤10ppm Rr as specification
9.	Temperature cycling	-40±3℃/10min~+85±3℃/10min, 100cycles	Frequency change: ≤10ppm Rr as specification

6. Packaging standard



Dimensions of outside Package

10 inner box=1 outer box

