



**RoHS & Halogen Free & REACH Compliance.**

## SPECIFICATION FOR APPROVAL

Customer : 各廠家

Customer P/N: \_\_\_\_\_

Drawing No : \_\_\_\_\_

Quantity : 0 Pcs. Date : 2017/03/13

Chilisin P/N : MHCHL252012A-2R2M-Q8

SPECIFICATION ACCEPTED BY:	
COMPONENT ENGINEER	
ELECTRICAL ENGINEER	
MECHANICAL ENGINEER	
APPROVED	
REJECTED	

**奇力新電子股份有限公司**

Chilisin Electronics Corp  
No. 29, Alley 301, Tehhsin Rd.,  
Hukou, Hsinchu 303, Taiwan  
TEL : +886-3- 599-2646  
FAX : +886-3- 599-9176  
E-mail : sales@chilisin.com.tw  
http : //www.chilisin.com.tw

**東莞奇力新電子有限公司**

Chilisin Electronics (Dongguan) Co., Ltd.  
No. 78, Puxing Rd., Yuliangwei Administration  
Area, Qingxi Town, Dongguan City,  
Guangdong, China  
TEL : +86-769-8773-0251~3  
FAX : +86-769-8773-0232  
E-mail : cect@chilisin.com.tw

**奇力新電子(河南)有限公司**

Chilisin Electronics (Henan) Co., Ltd.  
XiuWu Xian, industry gathering area  
JiaoZuo, Henan China  
Postal Code:454350  
TEL:+86-391-717-0682  
FAX:+86-391-717-0666

**蘇州奇益新電子有限公司**

SUZHOU QI YIXIN Electronics Co., Ltd.  
No.143,Song Shan Rd., Suzhou New District,  
Suzhou,China  
Postal Code:215129  
TEL:+86-512-6841-2350  
FAX:+86-512-6841-2356

Drawn by  
**邱麗卿**

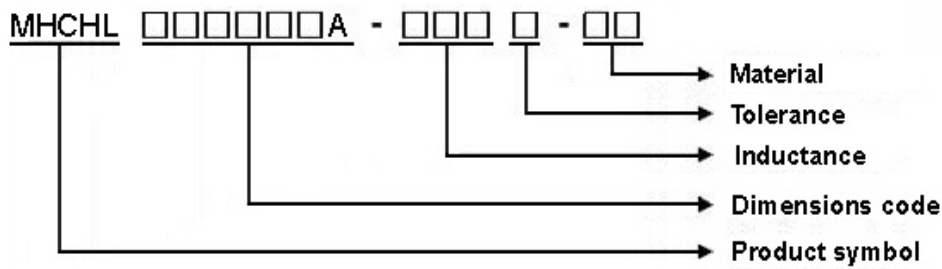
Checked by  
**溫美玲 ling**

Approved by  
**唐威德 daniel.tang**

# MHCHL252012A Series Specification

**1 Scope:** This specification applies to Molding power inductors

**2 Part Numbering:**



**3 Rating:**

Operating Temperature:  $-40^{\circ}\text{C} \sim 125^{\circ}\text{C}$  (Including self - temperature rise)

Storage Temperature:  $-40^{\circ}\text{C} \sim 125^{\circ}\text{C}$  (after PCB)

$-5^{\circ}\text{C} \sim 35^{\circ}\text{C}$ , Humidity 45%~85% (before PCB)

**4 Marking:**

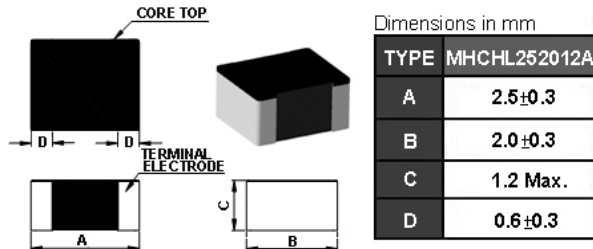


**5 Standard Testing Condition**

	Unless otherwise specified	In case of doubt
Temperature	Ordinary Temperature(15 to 35°C)	20 to 30°C
Humidity	Ordinary Humidity(25 to 85% RH)	50 to 80 %RH

## MHCHL252012A Series Specification

### 6 Configuration and Dimensions:



### 7 Electrical Characteristics:

Part No.	Inductance ( $\mu\text{H}$ )	Tolerance ( $\pm\%$ )	Test Freq.	I <sub>rms</sub> (A) Max.(Typ)	I <sub>sat</sub> (A) Max.(Typ)	RDC(m $\Omega$ ) Max.(Typ)	SRF(MHz) Typ.
MHCHL252012A-R24M-Q8	0.24	20	2MHz,0.2V	6.2(7.3)	9.0(10.5)	15(11.5)	155
MHCHL252012A-R33M-Q8	0.33	20	2MHz,0.2V	5.8(6.4)	8.5(10.0)	18(14.5)	146
MHCHL252012A-R47M-Q8	0.47	20	2MHz,0.2V	3.8(4.5)	5.6(7.0)	33(28.0)	99
MHCHL252012A-R68M-Q8	0.68	20	2MHz,0.2V	3.8(4.4)	5.0(6.2)	36(30.0)	76
MHCHL252012A-1R0M-Q8	1	20	2MHz,0.2V	3.6(4.1)	4.4(5.5)	42(35.0)	63
MHCHL252012A-1R5M-Q8	1.5	20	2MHz,0.2V	2.7(3.1)	3.4(4.2)	65(57.0)	45
MHCHL252012A-2R2M-Q8	2.2	20	2MHz,0.2V	2.5(2.9)	3.0(3.7)	83(74.0)	40

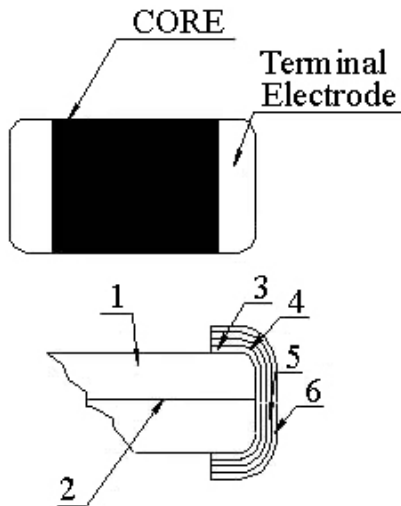
#### NOTE:

1. Operating temperature range  $-40^{\circ}\text{C} \sim 125^{\circ}\text{C}$  (Including self - temperature rise)
2. I<sub>sat</sub> for Inductance drop 30% from its value without current.
3. I<sub>rms</sub> for a  $40^{\circ}\text{C}$  temperature rise from  $25^{\circ}\text{C}$  ambient.
4. All test data is referenced to  $25^{\circ}\text{C}$  ambient
5. Absolute maximum voltage 25VDC

## MHCHL252012A Series Specification

### 8 MHCHL252012A Series

#### 8.1 Construction:



#### 8.2 Material List:

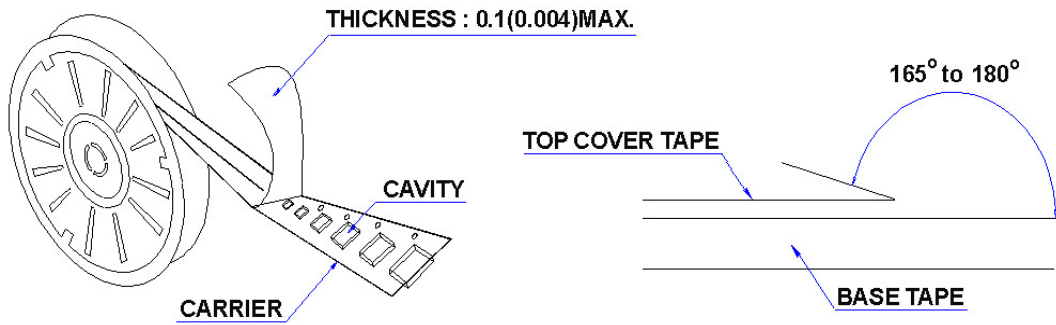
No	Part	Material
1	Core	Metal Powder
2	Wire	Copper wire
3	Sputter/Plating	Cu
4	Silver Electrode	Ag
5	Plating	Ni
6	Plating	Sn

# MHCHL252012A Series Specification

## 9 Packaging:

### 9.1 Packaging -Cover Tape

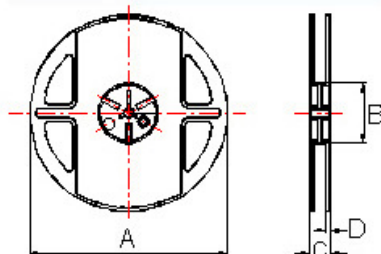
The force for tearing off cover tape is 10 to 100 grams in the arrow direction.



### 9.2 Packaging Quantity

TYPE	PCS/REEL
MHCHL252012A	3000

### 9.3 Reel Dimensions



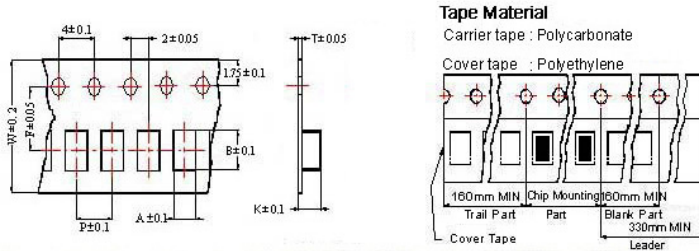
Dimensions in mm

TYPE	A	B	C	D
MHCHL252012A	178	60	12	1.5

# MHCHL252012A Series Specification

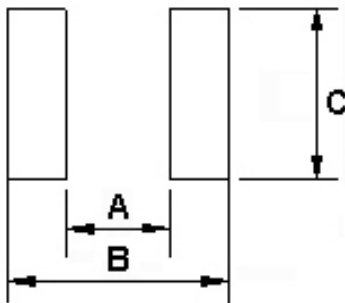
## 9 Packaging:

### 9.4 Tape Dimensions in mm



TYPE	A	B	T	W	P	F	K
MHCHL252012A	2.25	2.8	0.22	8	4	3.5	1.35

## 10 Recommended Land Pattern:



Dimensions in mm

TYPE	A	B	C
MHCHL252012A	1.2	2.8	2.3

## 11 Note:

- Please make sure that your product has been evaluated and confirmed against your specifications when our product is mounted to your product.
- Do not knock nor drop.
- All the items and parameters in this product specification have been prescribed on the premise that our product is used for the purpose, under the condition and in the environment agreed upon between you and us. You are requested not to use our product deviating from such agreement.
- Please keep the distance between transformer/coil and other components (refer to the standard IEC 950)
- After manufacturing process, there might be slight irregular shape on the edge of the products, and it's a normal phenomenon that can be neglected
- The moisture sensitivity level (MSL) of products is classified as level 1.



# MHCHL252012A Series Specification

12 Graph:

