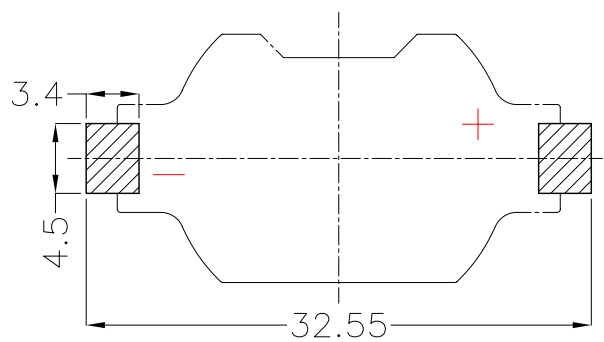
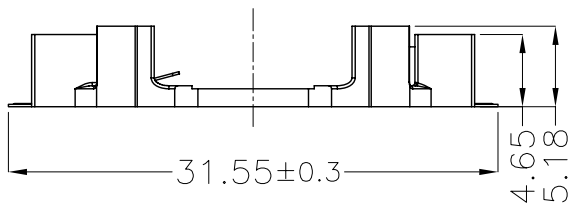
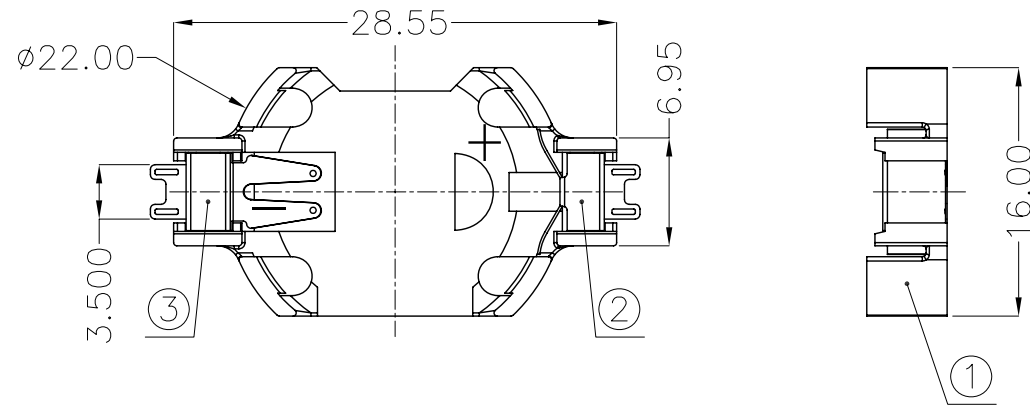




|      |         |         |      |
|------|---------|---------|------|
| REV. | ECN NO. | REVISED | DATE |
|      |         |         |      |



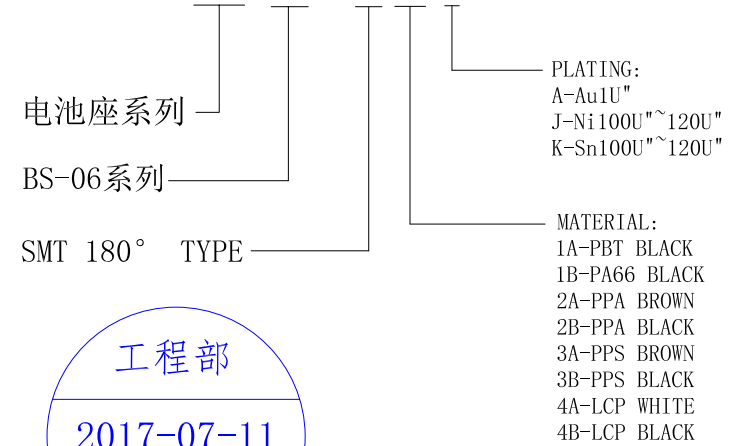
PCB Layout Diagram  
Top View

NOTE:

- MATERIAL:
  - a. HOUSING: LCP UL94V-0
  - b. CONTACT: PHOSPHOR BRONZE (SURFACE PLATING: Sn100u"~120u")
  - SEE ORDERING INFORMATION
- ELECTRIC:
  - a. CONTACT RESISTANCE: 30 MILLIOHMS MAX
  - b. INSULATION RESISTANCE: 1000 MEGA OHMS MIN
  - c. DIELECTNIC VOLTAGE: 500V AC ONE SEC LEVEL
  - d. OPERATING TEMPERATURE: -25°C~ +85°C

ORDERING INFORMATION

**BS-06-B\*\*\*017**



| NO. | PART NAME   | Q'TY | MATERIAL                  | PLATING & COLOR |
|-----|-------------|------|---------------------------|-----------------|
| 3   | TERMINAL(-) | 1    | PHOSPHOR BRONZE, T=0.20mm | Sn Plating      |
| 2   | TERMINAL(+) | 1    | PHOSPHOR BRONZE, T=0.20mm | Sn Plating      |
| 1   | HOUSING     | 1    | LCP                       | BLACK           |

|  |                                 |   |                                |      |            |
|--|---------------------------------|---|--------------------------------|------|------------|
| UNLESS OTHERWISE SPECIFIED TOLERANCES                              |                                 | <b>MYOUNG 美阳</b> <a href="http://www.meiyangdz.com">www.meiyangdz.com</a> |                                |      |            |
| DECIMALS:<br>X :±0.30<br>X.X :±0.25<br>X.XX :±0.20<br>X.XXX :±0.10 | ANGLES:<br>X :±1°<br>X.X :±0.5° | DSND  | YangFeng                       | DATE | 2017-07-11 |
| WEIGHT: 1.02g  |                                 | CHKD  | ZhouRuicai                     | DATE | 2017-07-11 |
| SHEET 1 OF 1   |                                 | APVD  | XueShunYong                    | DATE | 2017-07-11 |
| SCALE: 2:1   | SIZE: A4                        | VIEW:   | TITLE:<br>BS-2032-6-2 Sn SMT黑色 |      |            |
| UNIT: mm   | REV.: A/0                       | OBJECT: MY  | PART NO.:<br>BS-06-B4BK017     |      |            |
| DRAW NO.:MY-CP-0002  |                                 |   |                                |      |            |