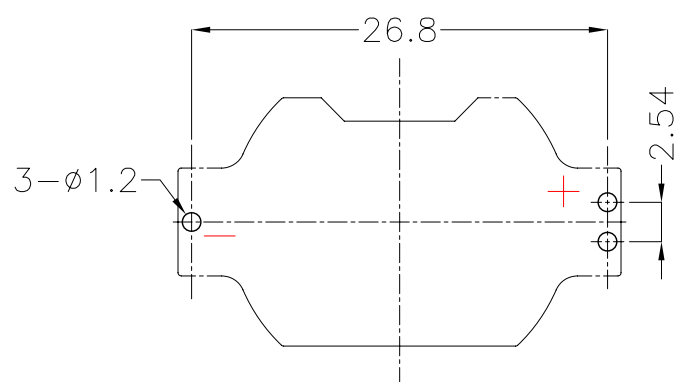
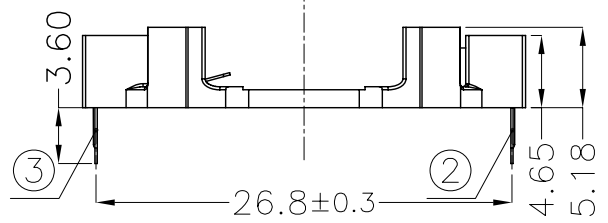
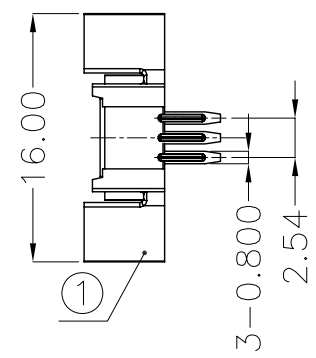
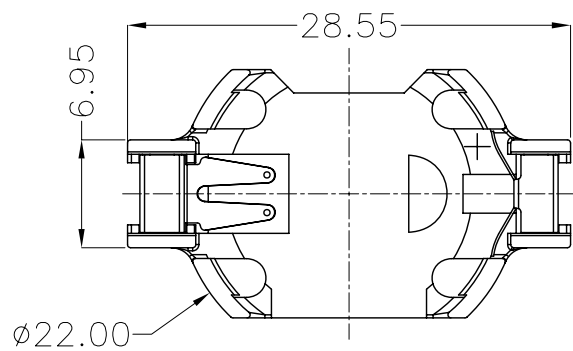




REV.	ECN NO.	REVISED	DATE



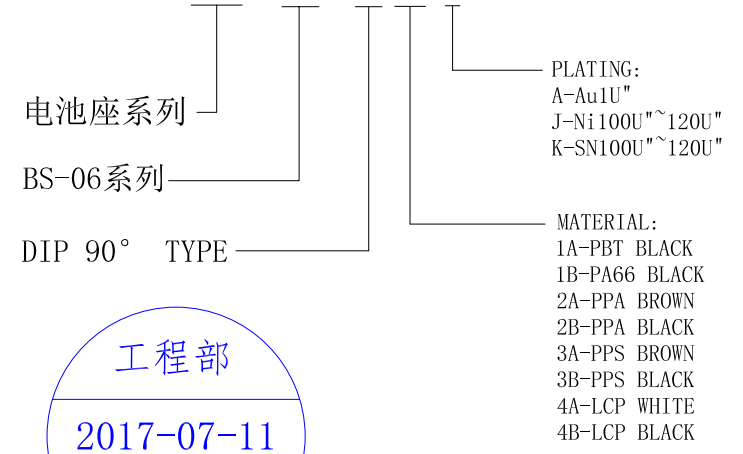
PCB Layout Diagram
Top View

NOTE:

- 1.MATERIAL:
a.HOUSING:LCP UL94V-0
b.CONTACT:PHOSPHOR BRONZE
(SURFACE PLATING:Sn100u"-120u")
SEE ORDERING INFORMATION
- 2.ELECTRIC:
a.CONTACT RESISTANCE: 30 MILLIOHMS MAX
b.INSULATION RESISTANCE: 1000 MEGA OHMS MIN
c.DIELECTNIC VOLTAGE: 500V AC ONE SEC LEVEL
d.OPERATING TEMPERATURE: -25°C~ +85°C

ORDERING INFORMATION

BS-06-A***016



3	TERMINAL(-)	1	PHOSPHOR BRONZE, T=0.20mm	Sn Plating
2	TERMINAL(+)	1	PHOSPHOR BRONZE, T=0.20mm	Sn Plating
1	HOUSING	1	LCP	BLACK
NO.	PART NAME	Q'TY	MATERIAL	PLATING & COLOR

UNLESS OTHERWISE SPECIFIED TOLERANCES		MYOUNG 美阳 www.meiyangdz.com	
DECIMALS: X :±0.30 X.X :±0.25 X.XX :±0.20 X.XXX :±0.10	ANGLES: X :±1° X.X :±0.5°	DSND YangFeng	DATE 2017-07-11
WEIGHT: 1.02g		CHKD ZhouRuicai	DATE 2017-07-11
SHEET 1 OF 1		APVD XueShunyang	DATE 2017-07-11
SCALE: 2:1	SIZE: A4	VIEW:	TITLE: BS-2032-6-2 Sn DIP黑色
UNIT: mm	REV.: A/0	OBJECT: MY	PART NO.: BS-06-A4BK016
			DRAW NO.:MY-CP-0082